

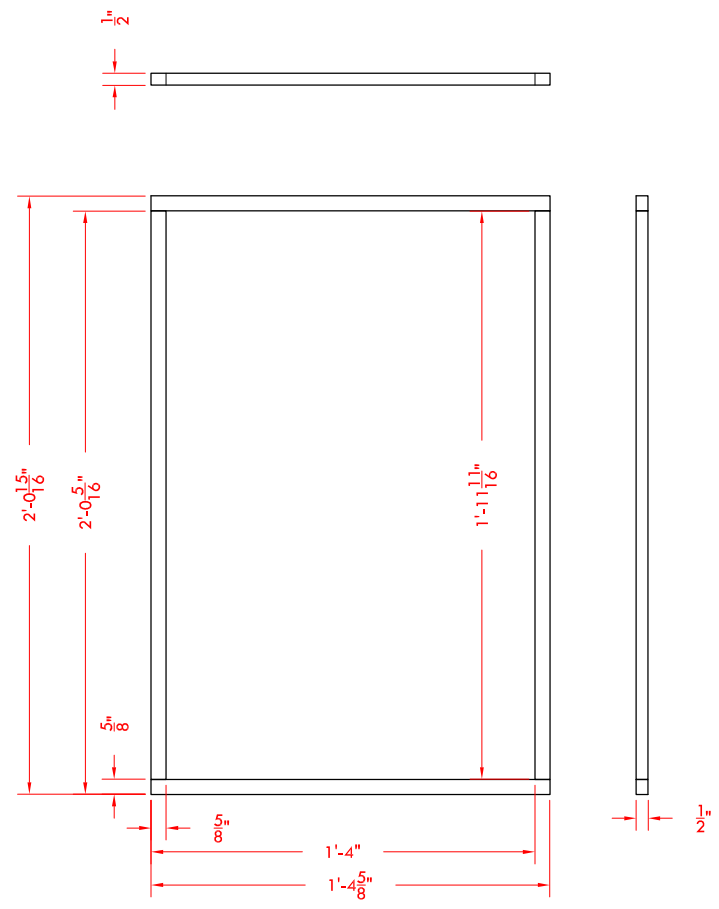
BEAUTY AND THE BEAST
BELLE'S HOUSE - FUNCTIONAL WINDOW

DWG DESCRIPTION:
2X PINE AND 1/2" MDF RIPPED TO VARIOUS SIZES. OPENS UPSTAGE.

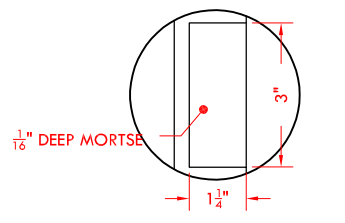
DIRECTORATE BRYER
DESIGNER AMINA VIETH
TD: ELISE MASUR
DATE: 9/14/2018 REV #REV#

1105

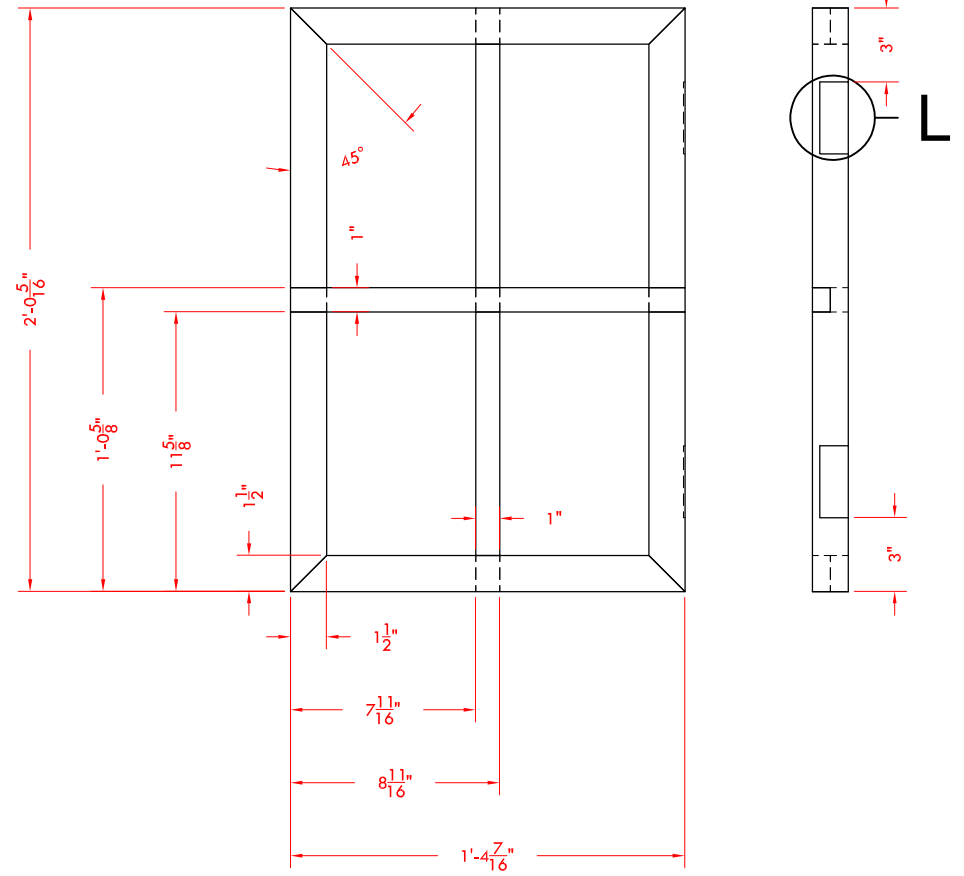
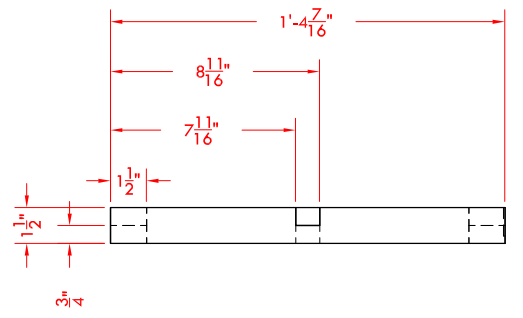
DWG BY: EVM
SCALE: AS SHOWN



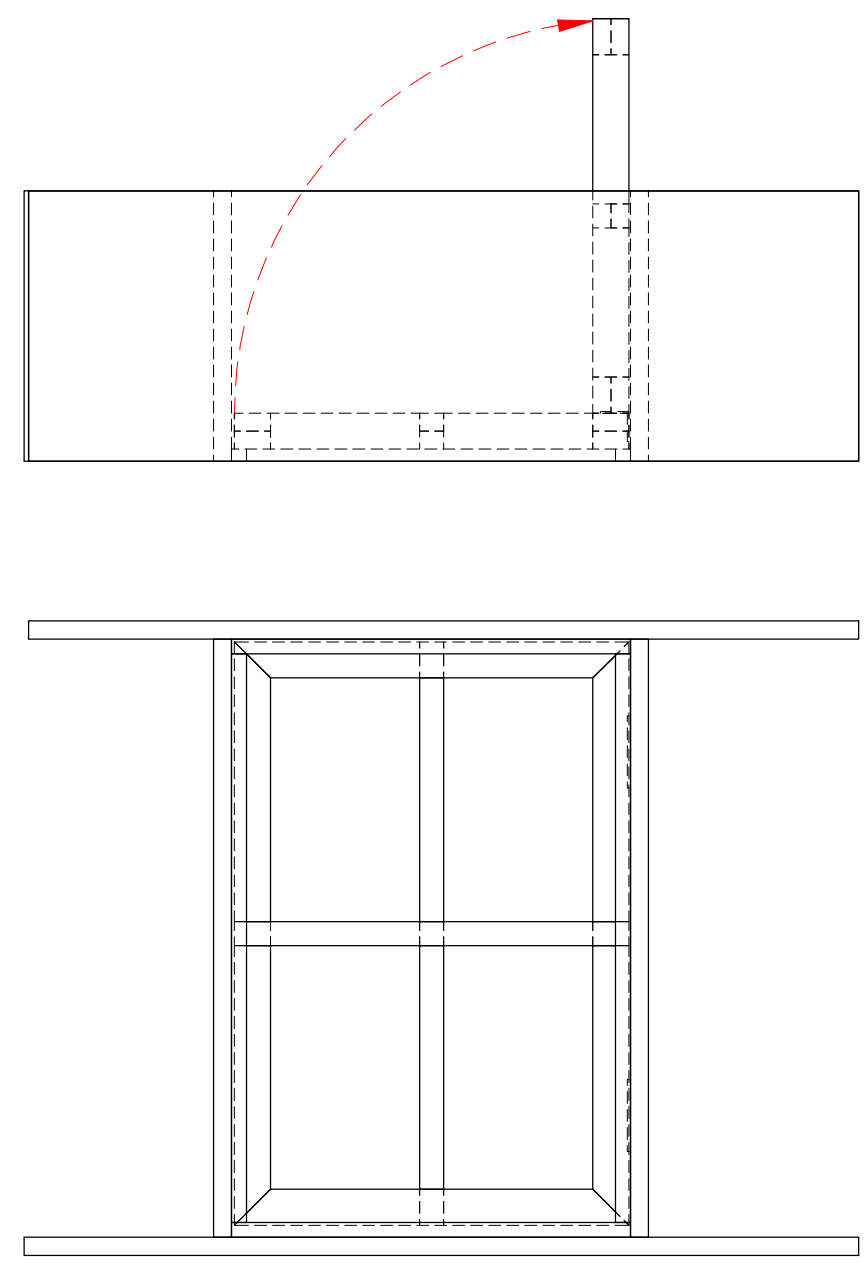
1
1105 STOP JAMB 1 1/2" = 1'-0"
- BUILD FROM 1/2" MDF RIPPED INTO 5/8" WIDE STRIPS
- ASSEMBLE WITH GLUE AND BRADS
- INSTALL IN FRAME, FLUSH WITH SKIN



DETAIL L
SCALE 3" = 1'-0"



2
1105 MUNTINS AND MULLIONS 1 1/2" = 1'-0"
- ALL NON-MITRED JOINTS ARE HALF LAPS WITH THE HORIZONTAL MEMBERS ON TOP
- BUILD FROM 2X PINE RIPPED TO SIZES SHOWN
- ASSEMBLE HALF LAPS WITH GLUE AND BRADS
- ASSEMBLE MITRED JOINTS WITH GLUE AND FINISH NAILS



3
1105 WINDOW ASSEMBLED 1 1/2" = 1'-0"
- WINDOW HINGES ON THE STAGE LEFT SIDE AND OPENS UPSTAGE
- INSTALL BALL CATCH OR MAGNETIC CATCH TO HELP KEEP CLOSED