

**EDWARD TULANE**  
CURVED WALL - CENTER FRAMES

DWG DESCRIPTION:  
1"X1" 16 GAUGE STEEL TUBE WELDED INTO CURVED TRUSS-LIKE SHAPE.

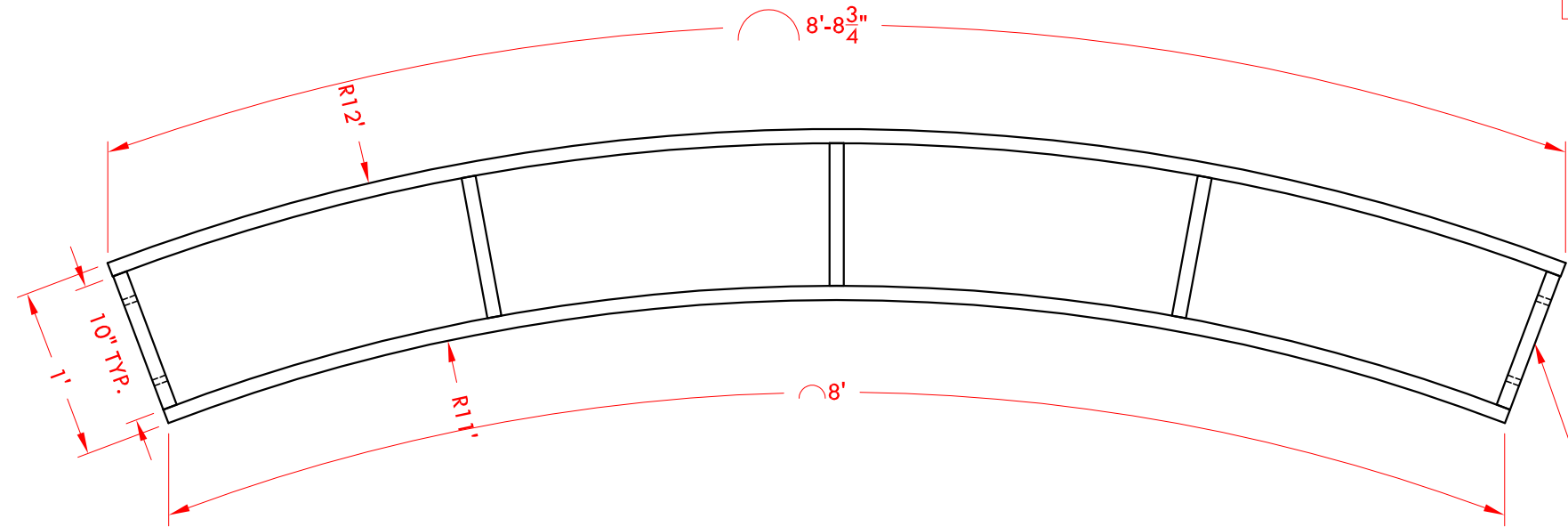
DIRECTOR: JANET STANFORD  
DESIGNER: SAMINA VIETH  
TD: ELISE MASUR  
DATE: 7/22/16 REV #: 1

**102**

DWG BY **EVM**

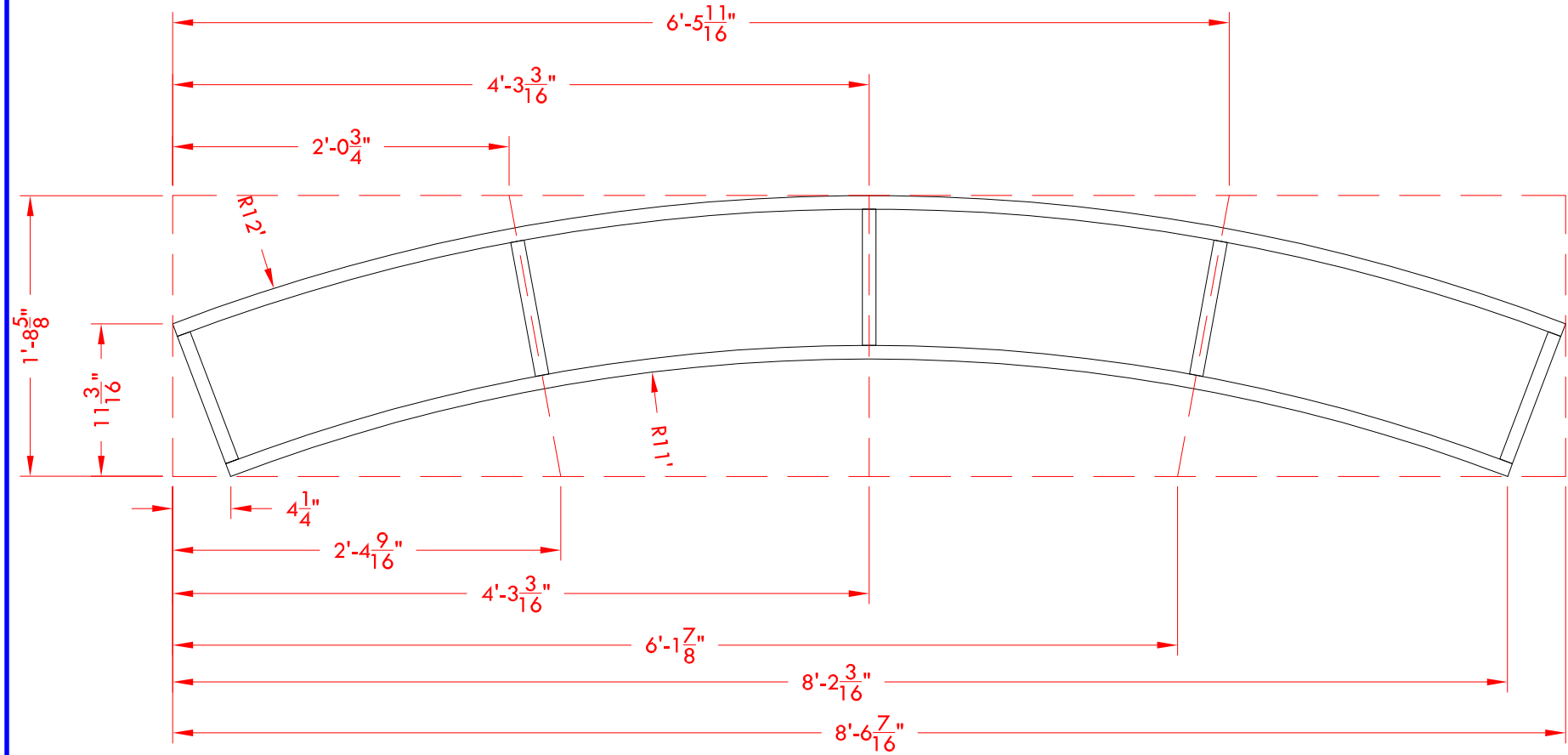
SCALE 1" = 1'-0"

**BUILD SIX (6)!**



- 1**  
**102**
- CENTER FRAMES 1" = 1'-0"
- MAKE SIX (6) TOTAL
  - GRIND ALL SURFACE WELDS
  - USE 1"X1" 16 GAUGE STEEL TUBE

SEE DWG 103



- 2**  
**102**
- JIG LAYOUT DETAIL 1" = 1'-0"
- USE THIS INFORMATION TO LAYOUT WELDING JIG
  - DASHED LINES PROVIDE REFERENCE FOR FINDING CENTERS OF INTERNAL MEMBERS
  - SEE ELISE WITH ANY QUESTIONS