

BEAUTY AND THE BEAST

BELLE'S HOUSE 1 OF 2

DWG DESCRIPTION:
1X12 PINE, 3/8" PLY, AND 2 1/2" TALL RED CASTERS.

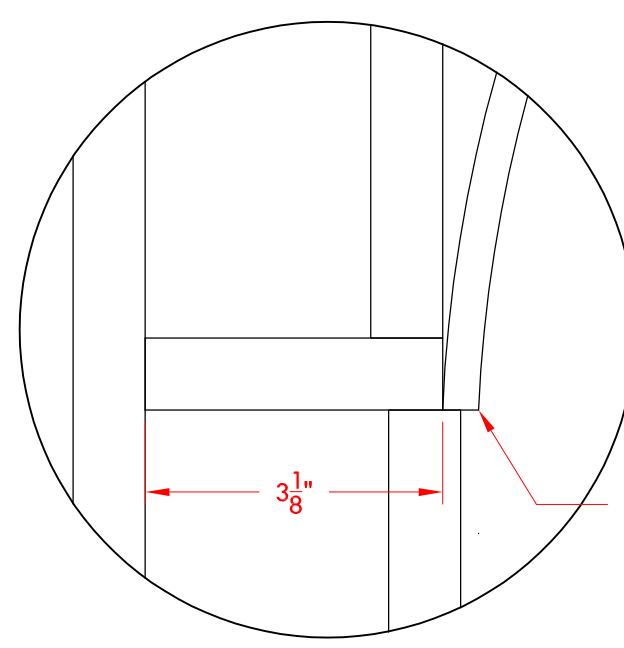
DIRECTOR: KATE BRYER
DESIGNER: SAMINA VIETH
TD: ELISE MASUR
DATE: 9/1/2016 REV #: REV#

SHEET #

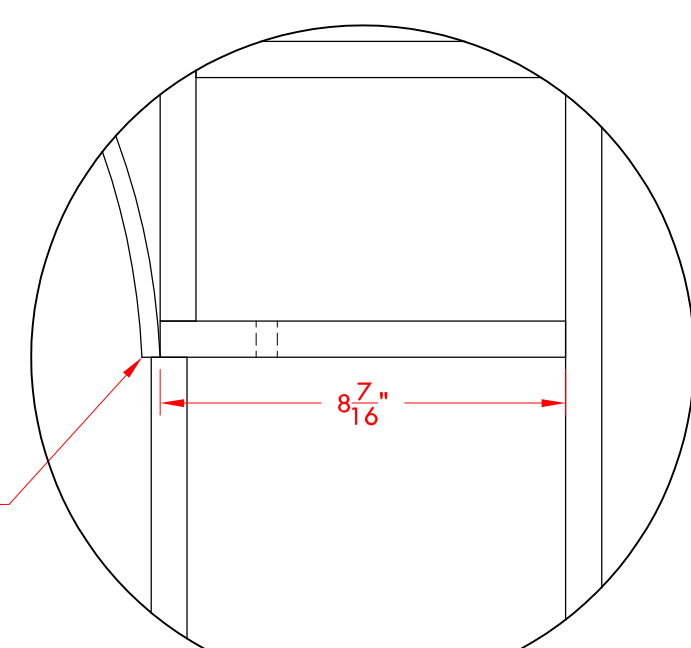
1101

DWG BY EVM

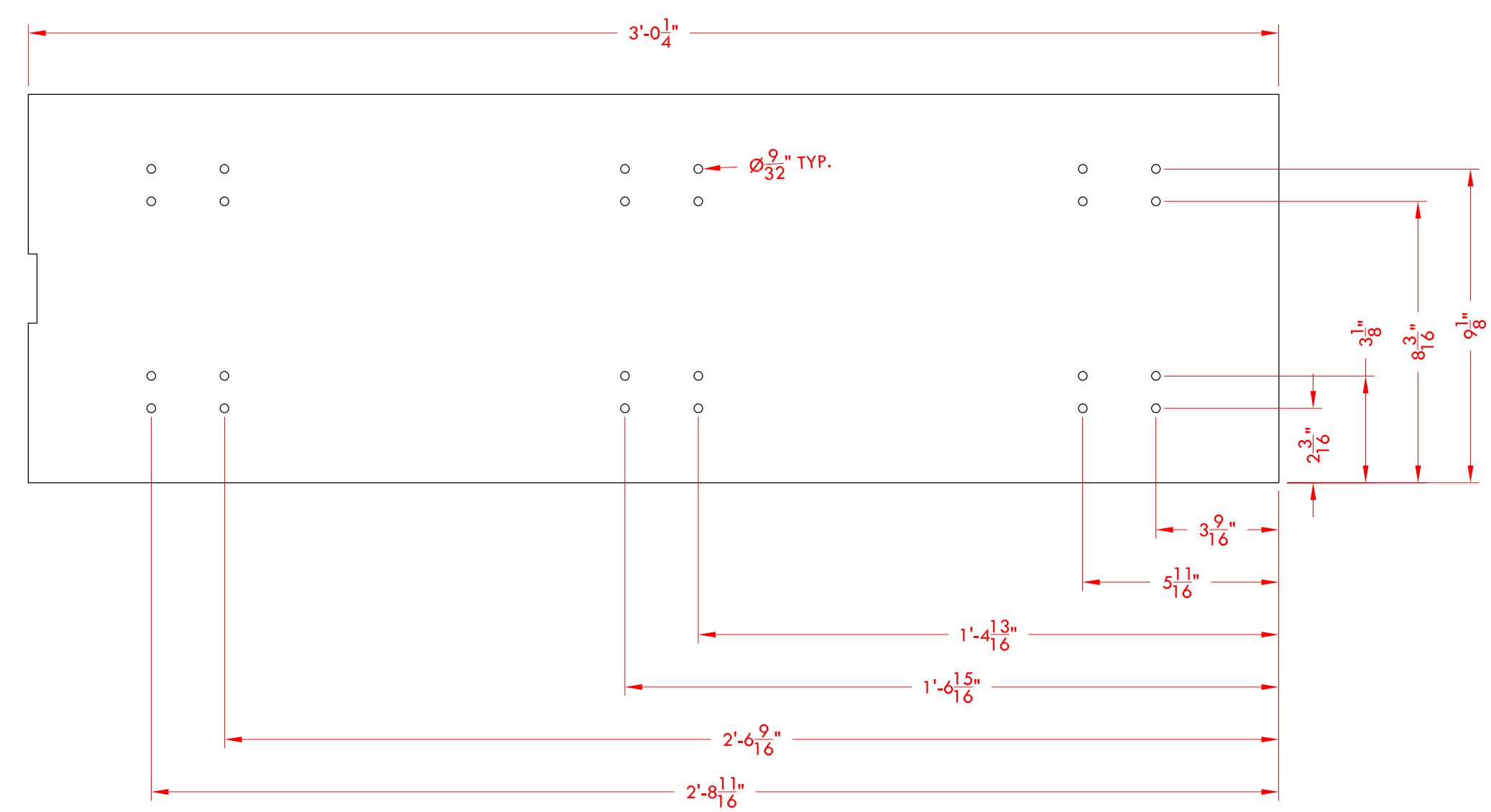
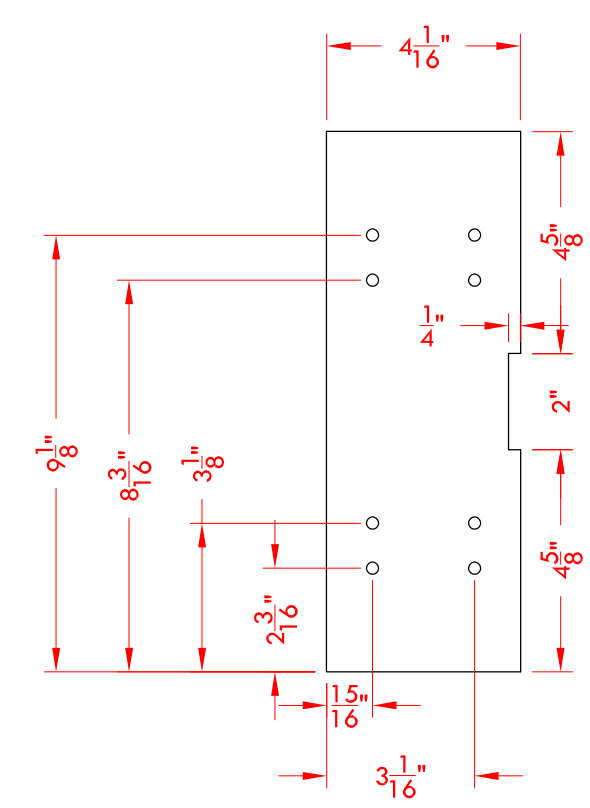
SCALE AS SHOWN



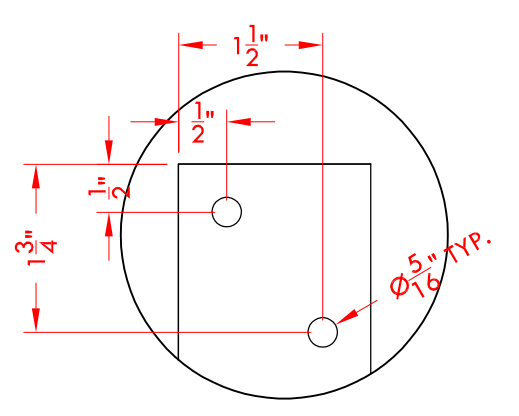
DETAIL B
SCALE 6" = 1'-0"



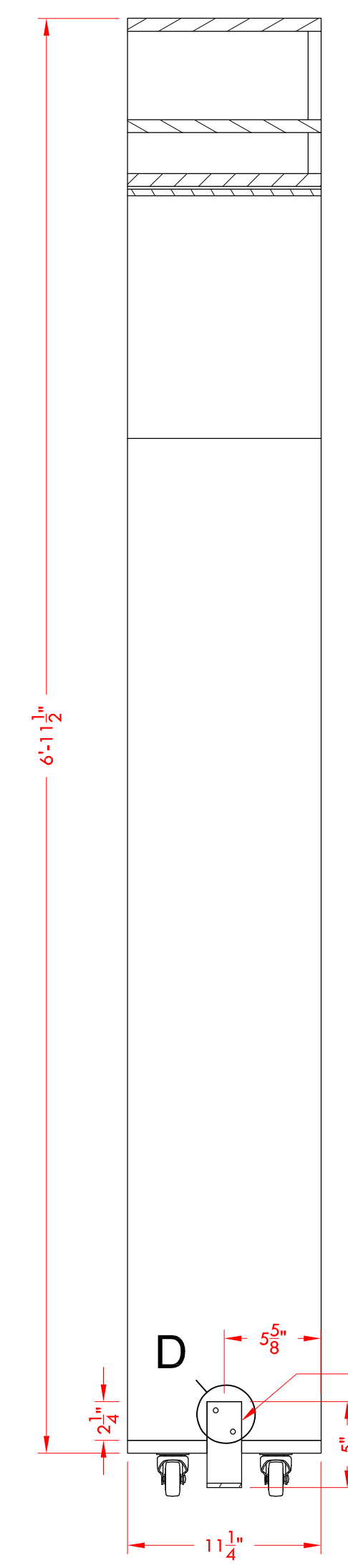
DETAIL C
SCALE 3" = 1'-0"



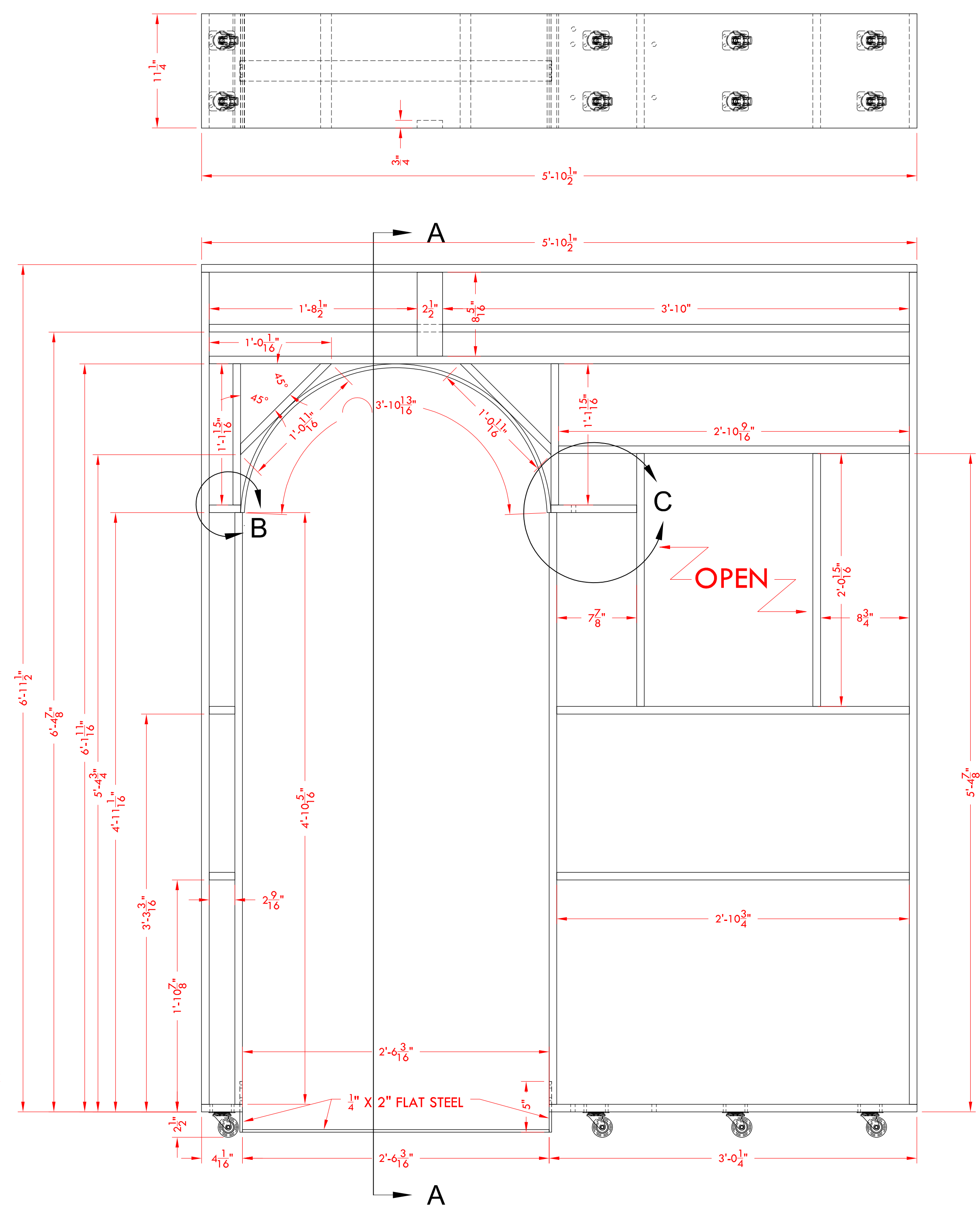
2 1101 LOCATION OF CASTER HOLES 3" = 1'-0"



DETAIL D
SCALE 6" = 1'-0"



SECTION A-A
SCALE 1-1/2" = 1'-0"



1 1101 BELLE'S HOUSE 1 OF 2 1 1/2" = 1'-0"
BUILD ONE
USE 1X12 PINE
ASSEMBLE WITH GLUE AND MED CROWN STAPLES
USE LITTLE RED CASTERS

