

# BEAUTY AND THE BEAST

CHANDELIER - LIFTING SHEAVE OVERHANG STRUCTURE

DWG DESCRIPTION:  
1"X1" 16 GAUGE STEEL TUBE AND MEGA CLAMPS.

DIRECTOR: Kate Bryer  
DESIGNER: Samina Vieth  
TD: Elise Masur  
DATE: 8/23/2016 REV #: REV#

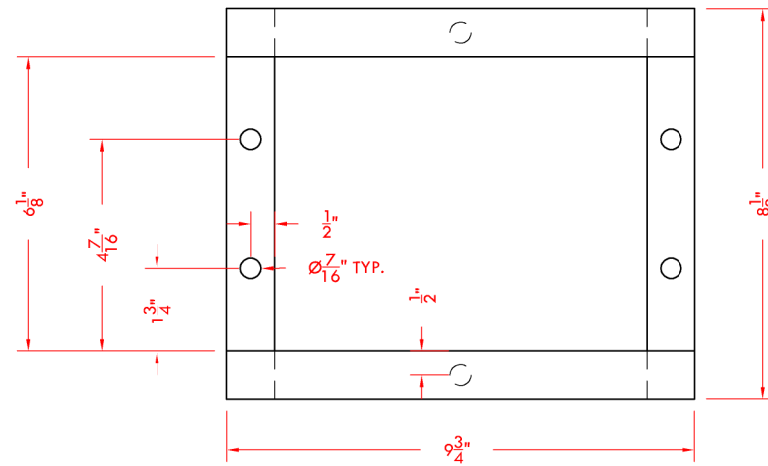
**805**

DWG BY **EVM**

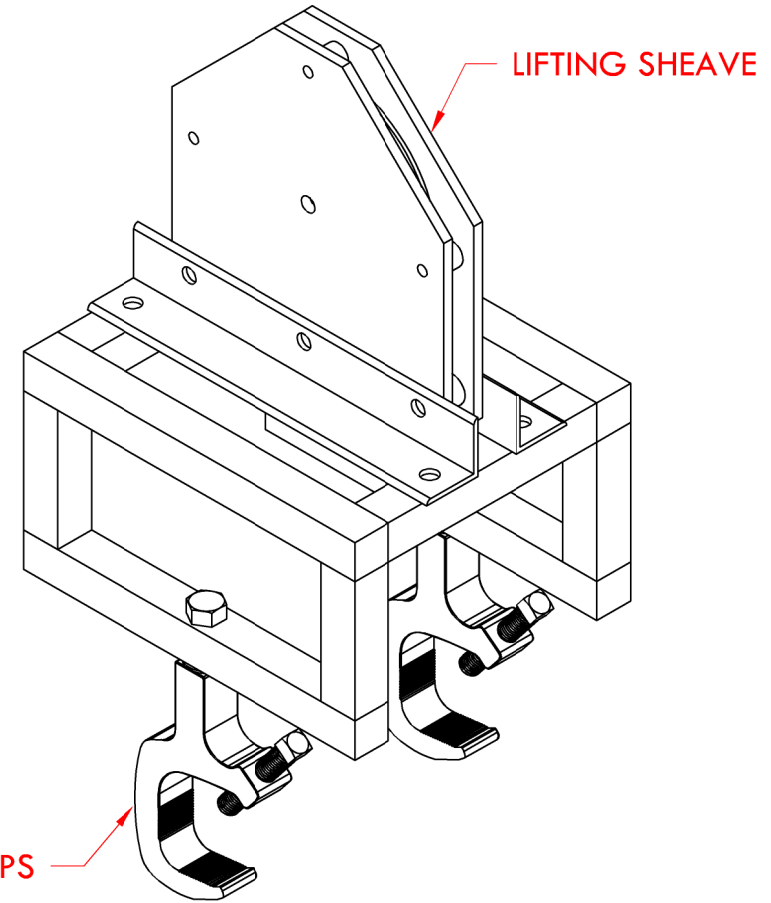
SCALE **3"=1'-0"**

- NOTES:**
- **\*\*MAKE 1.\*\***
  - **HOLE SIZES ARE INTENTIONAL. PLEASE DO NOT ALTER.**
  - **GRIND ALL SURFACE WELDS.**
  - **SEE ELISE WITH QUESTIONS.**

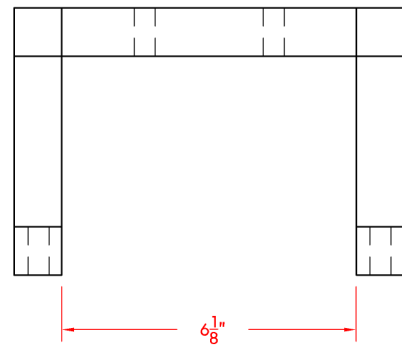
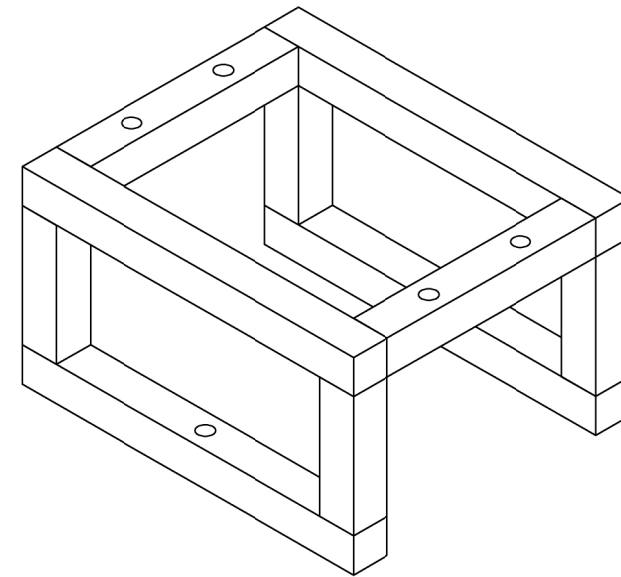
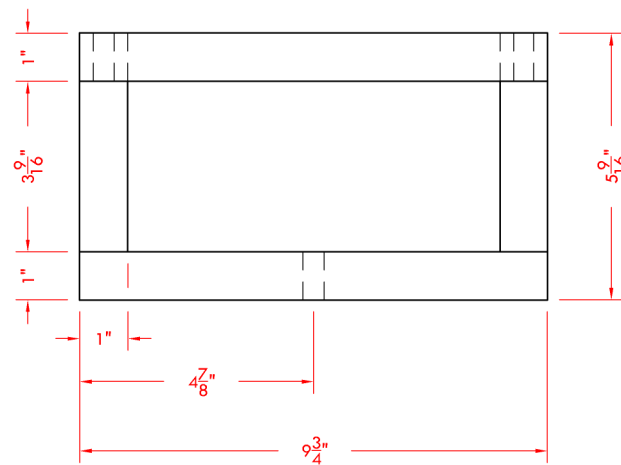
- CUT LIST**
- **4 @ 0'-3<sup>9</sup>/<sub>16</sub>"**
  - **4 @ 0'-9<sup>3</sup>/<sub>4</sub>"** (ONLY TWO HAVE A <sup>7</sup>/<sub>16</sub>" DIA HOLE AT THE CENTER)
  - **2 @ 0'-6<sup>1</sup>/<sub>8</sub>"** (BOTH HAVE TWO <sup>7</sup>/<sub>16</sub>" DIA HOLES SPACED ACCORDING TO DWG.)



**TOP VIEW**



**FRONT VIEW**



**SIDE VIEW**