

EDWARD TULANE

WINDOW FRAMING - CENTER PANEL

DWG DESCRIPTION:
1X1 AND 1X2 STEEL TUBE WELDED INTO THE MUNTINS AND MULLIONS OF A WINDOW.

DIRECTOR: NET STANFORD
DESIGNER: AMINA VIETH
TD: ELISE MASUR
DWG DATE: 1/2016 REV #REV#

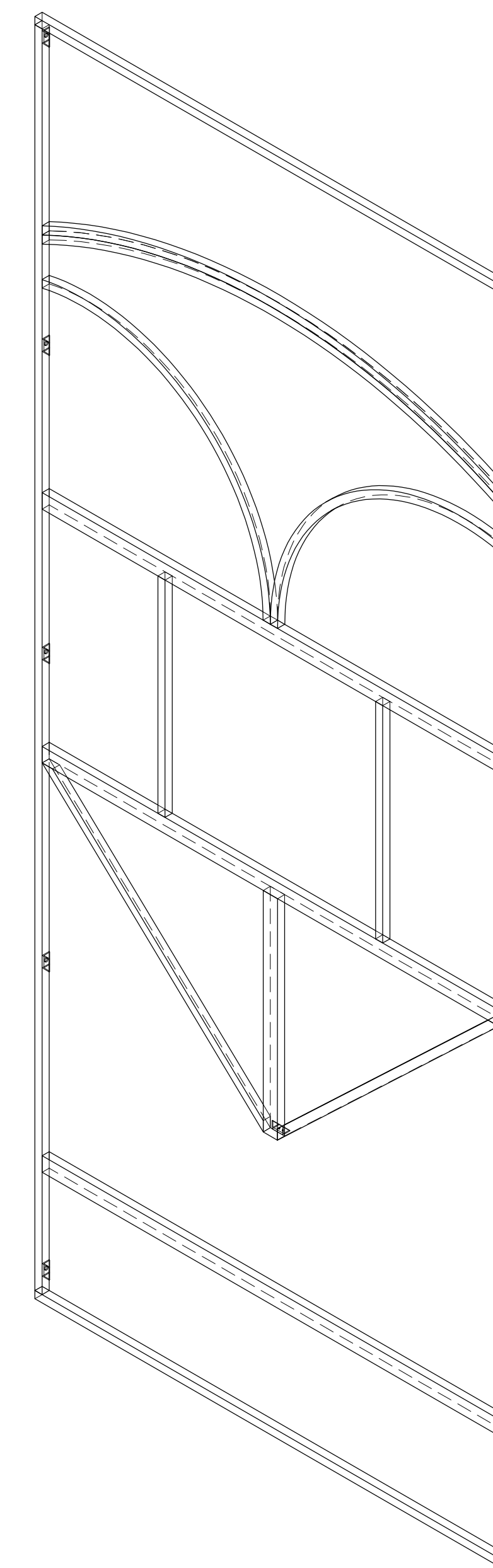
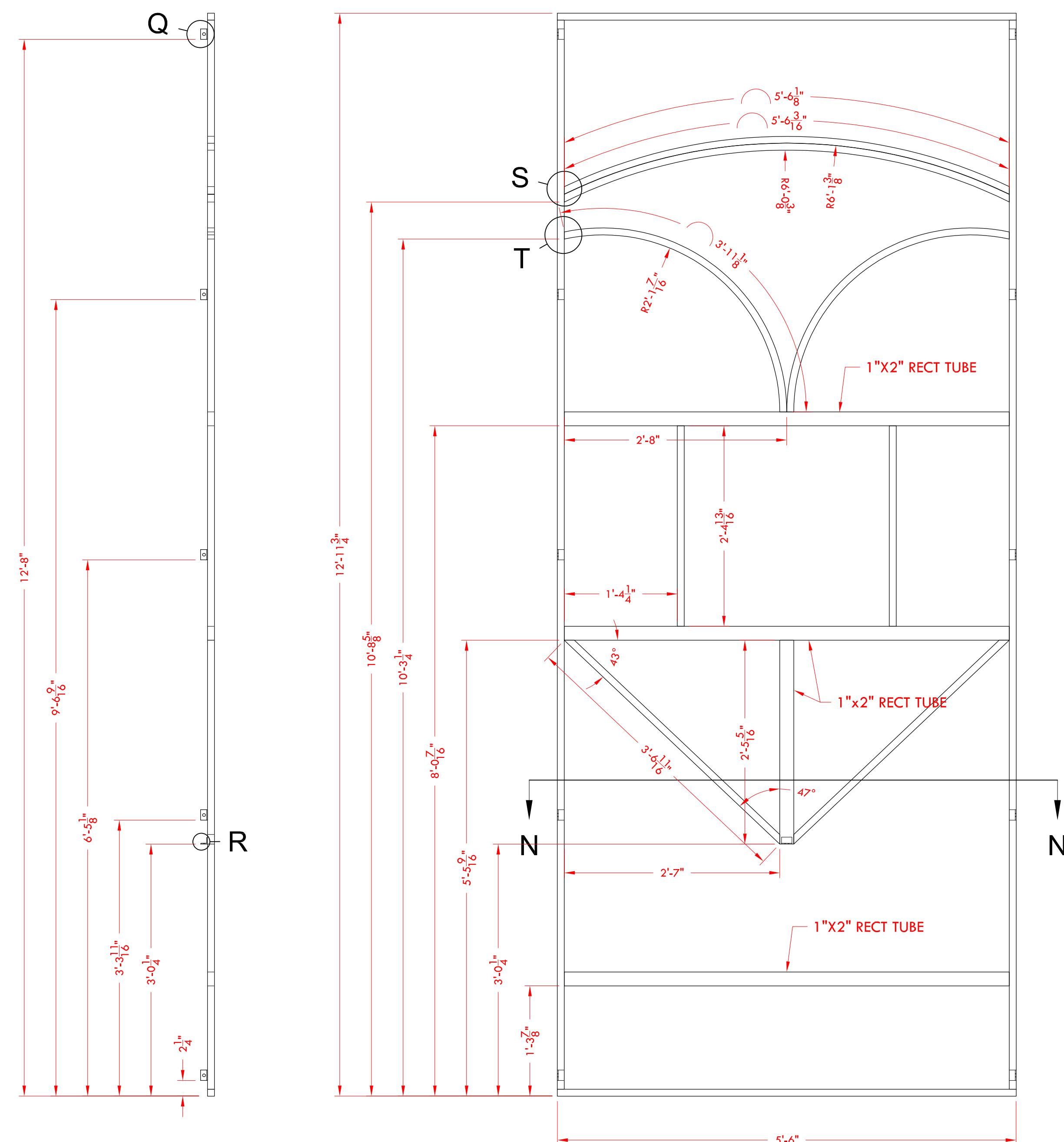
SHEET #

305

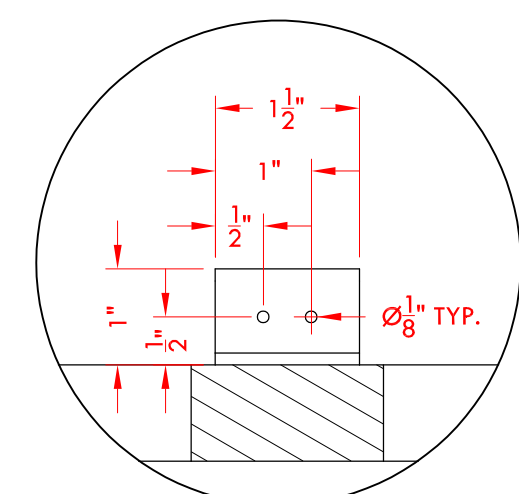
DWG BY: **EVM**

SCALE: **1"=1'-0"**

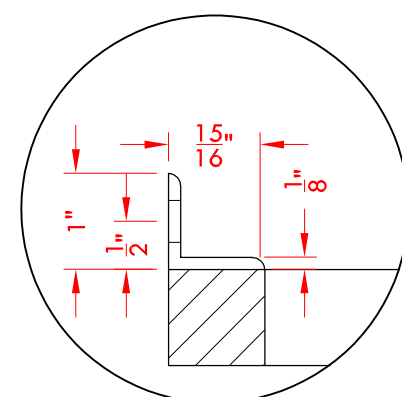
SECTION N-N
SCALE 1" = 1'-0"



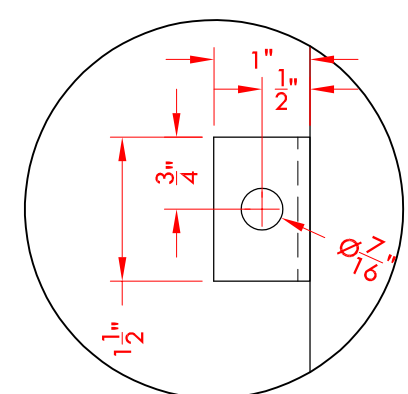
- NOTES:**
- BUILD ONE
 - SHAPE IS SYMMETRICAL
 - UNLESS SPECIFICALLY NOTED, ALL MEMBERS ARE 1"x1" STEEL TUBE
 - FILLET WELD ALL PIECES TOGETHER
 - GRIND ALL SURFACE WELDS
 - SEE ELISE WITH ANY QUESTIONS.



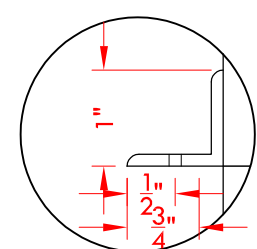
DETAIL O
SCALE 6" = 1'-0"



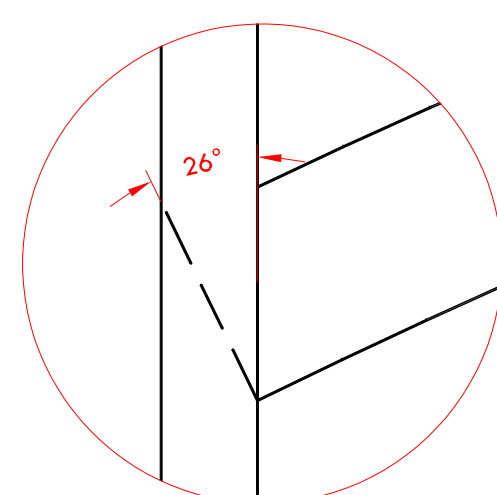
DETAIL P
SCALE 6" = 1'-0"



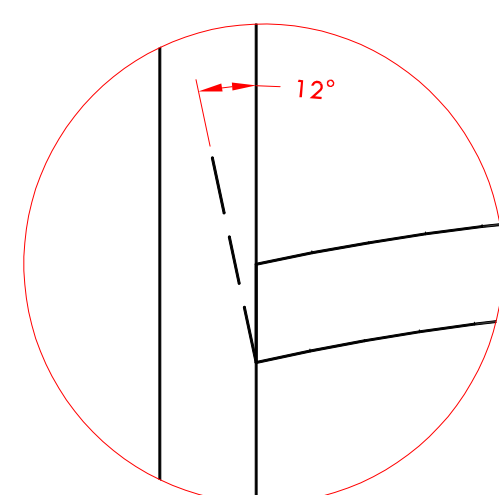
DETAIL Q
SCALE 6" = 1'-0"



DETAIL R
SCALE 6" = 1'-0"



DETAIL S
SCALE 6" = 1'-0"



DETAIL T
SCALE 6" = 1'-0"