

**EDWARD TULANE**  
WINDOW LEDGE

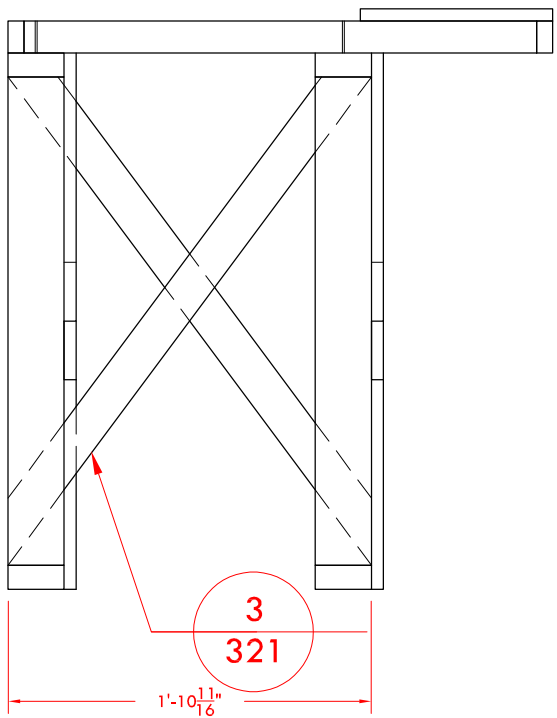
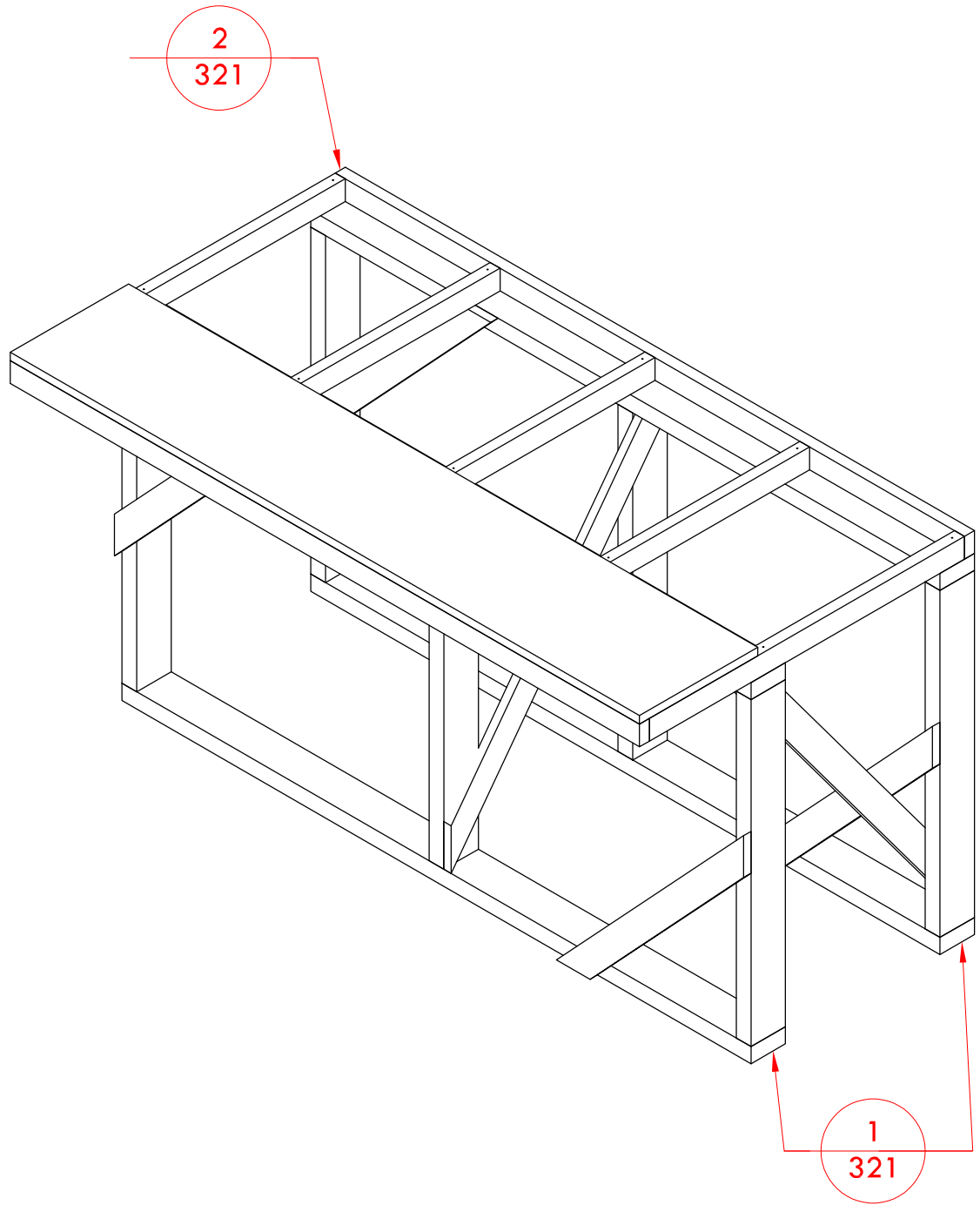
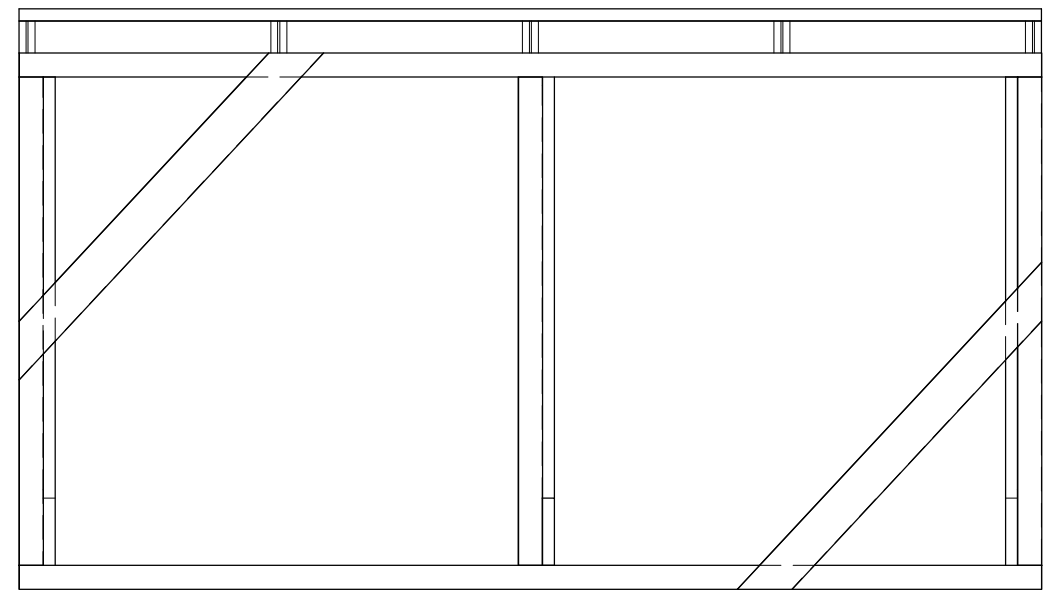
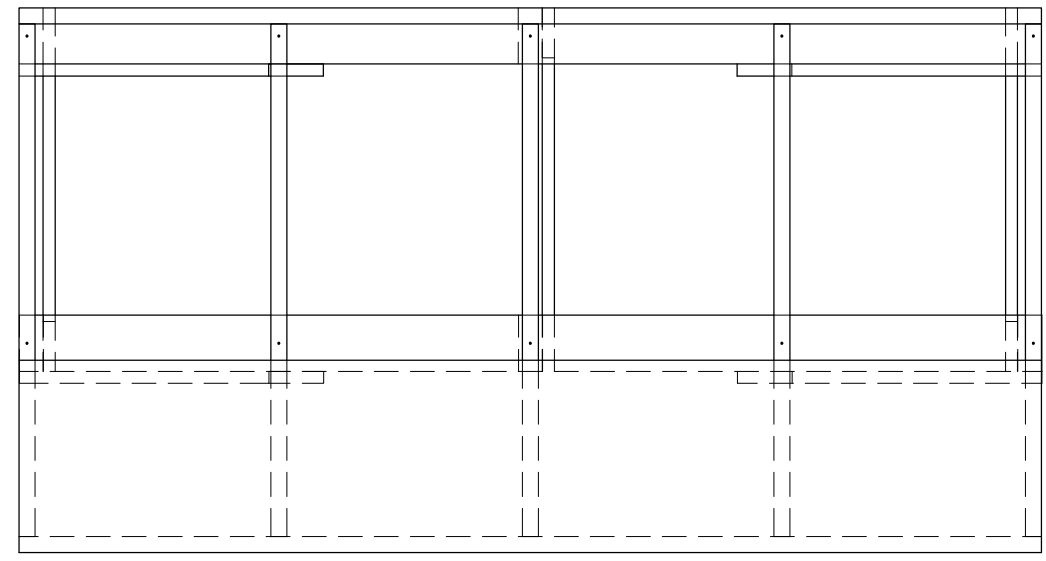
DWG DESCRIPTION:  
PLATFORM MADE OF 1X2 STEEL FRAMING AND 3/4" PLY LID SUPPORTED BY 2X4 STUDWALLS.

DIRECTOR: JANET STANFORD  
DESIGNER: SAMINA VIETH  
TD: ELISE MASUR  
DATE: 8/1/16 REV #: REV#

**320**

DWG BY **EVM**

SCALE 1" = 1'-0"



2  
321

1  
321

3  
321

1'-10 1/8"