

# EDWARD TULANE

## CURVED WALL - BOTTOM CENTER SECTIONS

DWG DESCRIPTION:  
1X1 16 GAUGE STEEL TUBE FRAMES COVERED WITH BENDY PLY AND LAUAN.

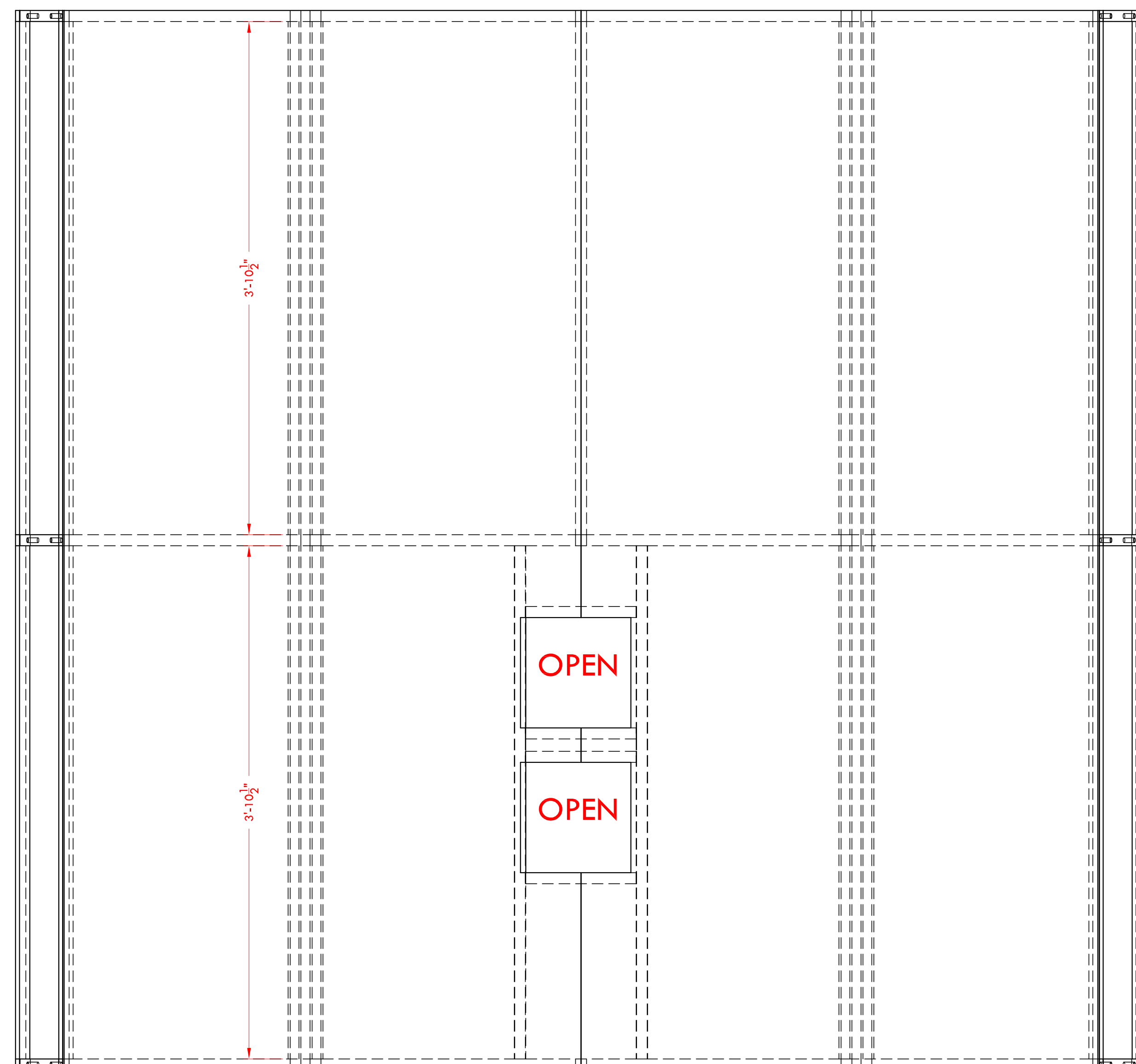
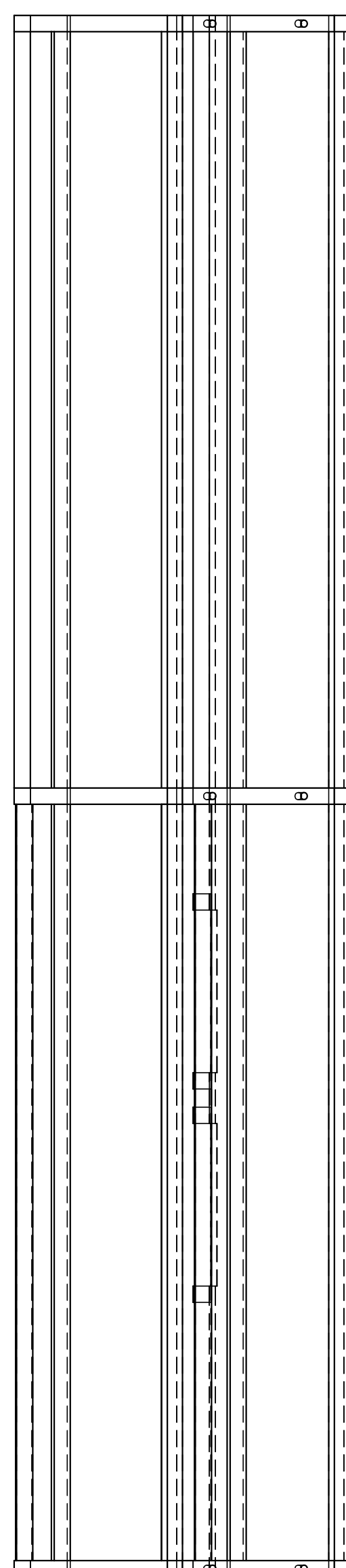
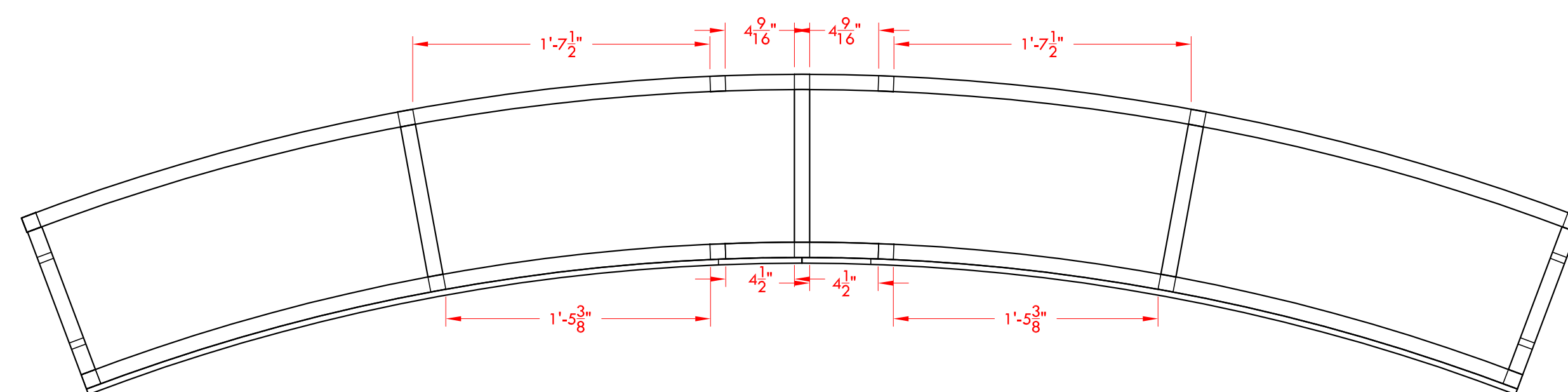
DIRECTOR: JANET STANFORD  
DESIGNER: SAMINA VIETH  
TD: ELISE MASUR  
DATE: 8/23/16 REV #: REV#

SHEET #

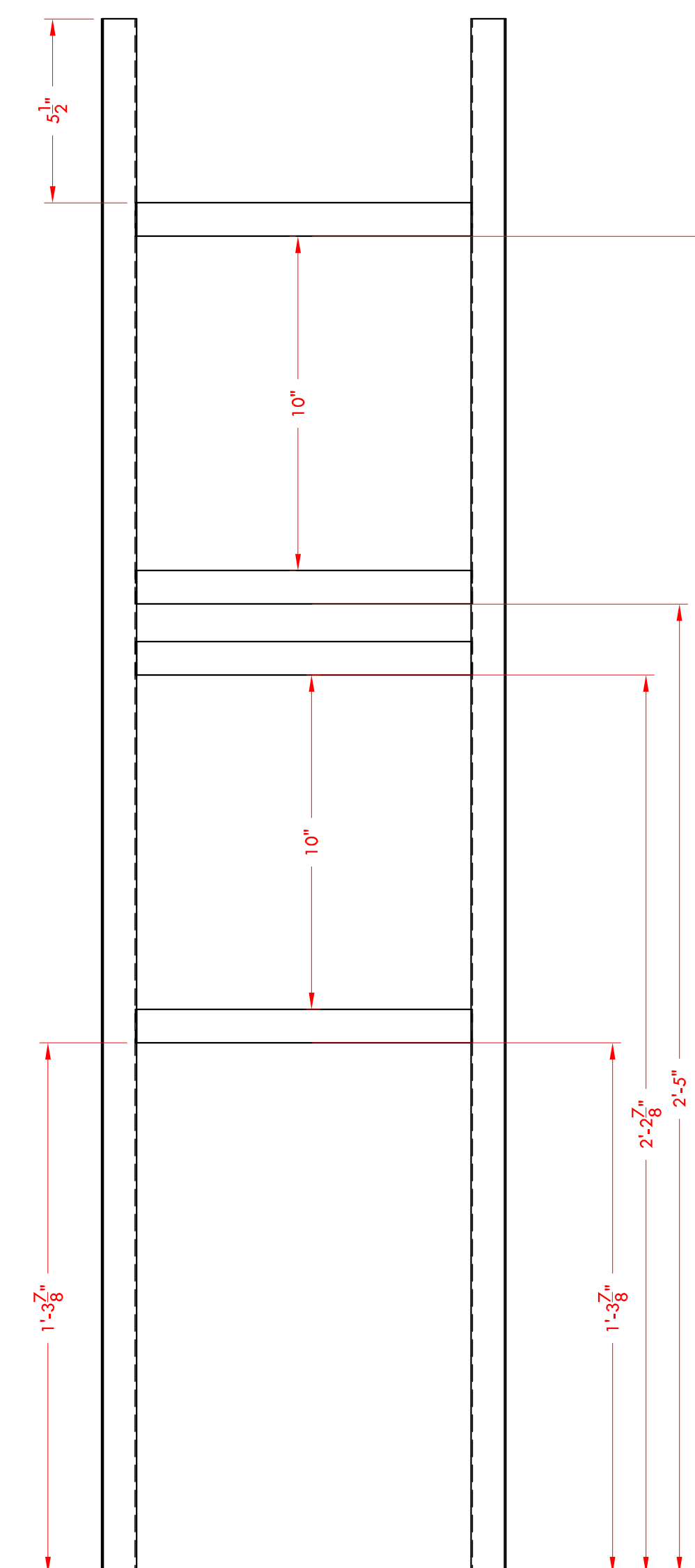
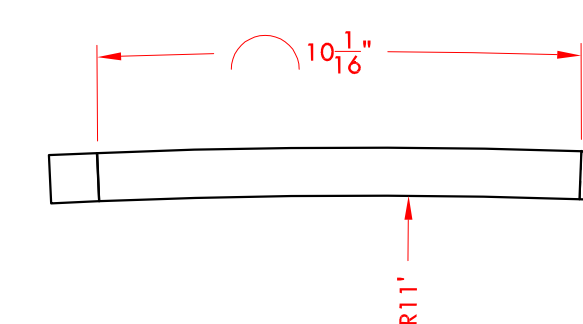
# 125

DWG BY **EVM**

SCALE **AS SHOWN**



SCALE 1 1/2" = 1'-0"



SCALE 3" = 1'-0"