

# BEAUTY AND THE BEAST

BELLE'S HOUSE - ROOF FRAMING

DWG DESCRIPTION:  
FRAME CONSTRUCTED OF 1X12 PINE AND 3/8" BENDY PLY

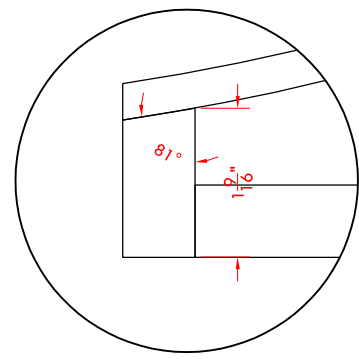
DIRECTORATE BRYER  
DESIGNER: AMINA VIETH  
TD: ELISE MASUR  
DATE: 9/14/2018 REV #REV#

## 1104

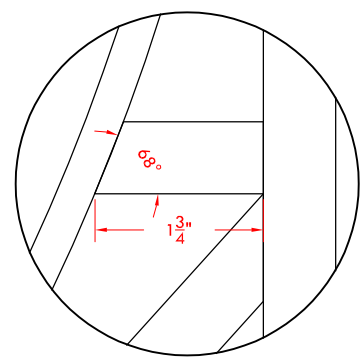
DWG BY: EVM

SCALE: 1 1/2" = 1'-0"

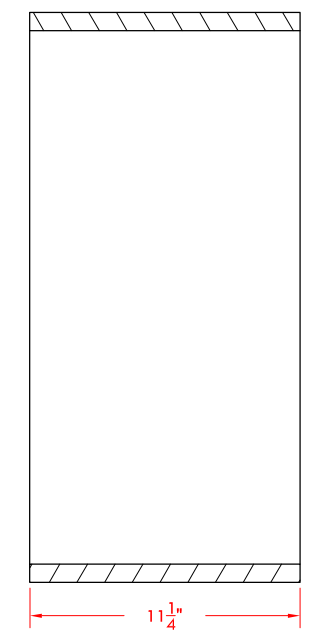
- NOTES:**
- UNLESS OTHERWISE STATED, ALL MATERIAL IS 1X12 PINE
  - UNIT IS SYMMETRICAL
  - ASSEMBLE WITH GLUE AND MED CROWN STAPLES
  - SKIN WILL BE CUT ON CNC
  - SEE ELISE WITH ANY QUESTIONS



DETAIL I  
SCALE 6" = 1'-0"



DETAIL J  
SCALE 6" = 1'-0"



SECTION K-K  
SCALE 1-1/2" = 1'-0"

