

EDWARD TULANE

WINDOW WALL

DWG DESCRIPTION:
WALL WITH CIRCULAR WINDOW, STEP UNIT, AND LEDGE FOR ACTOR TO STAND ON.

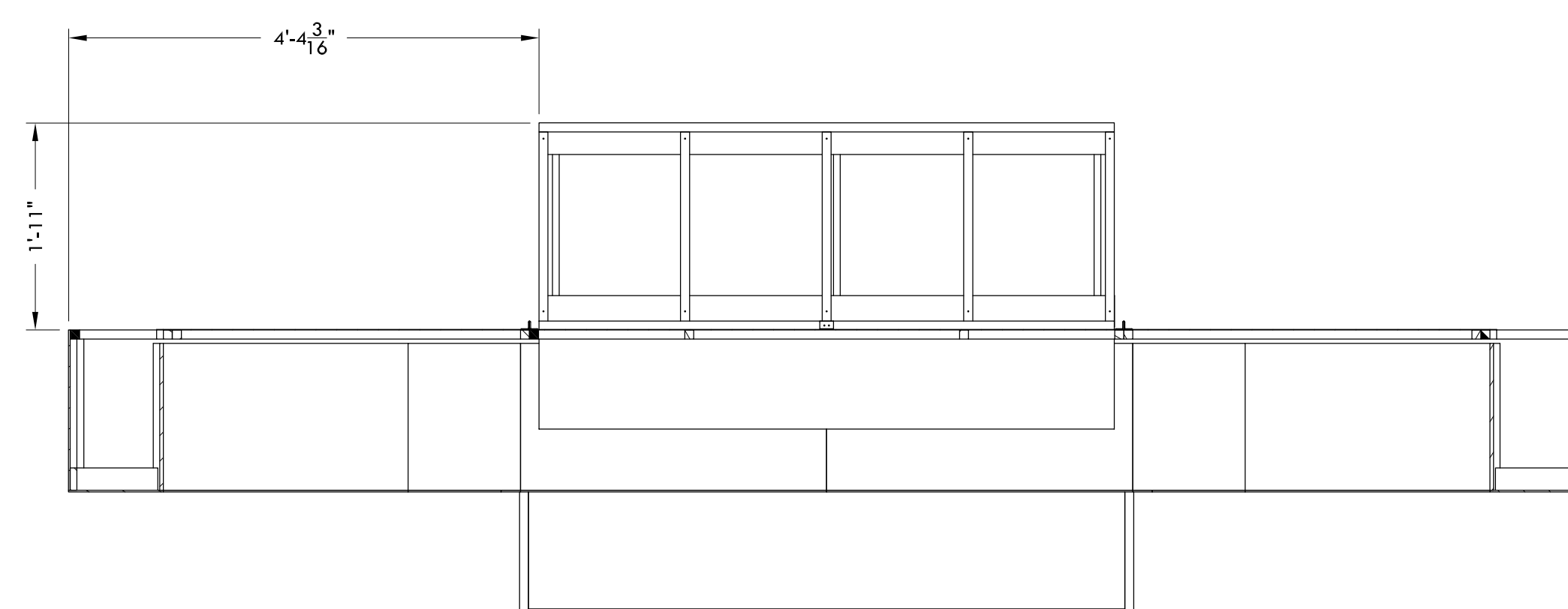
DIRECTOR: NET STANFORD
DESIGNER: AMINA VIETH
TD: ELISE MASUR
DWG DATE: 8/9/2014 REV #REV#

SHEET #

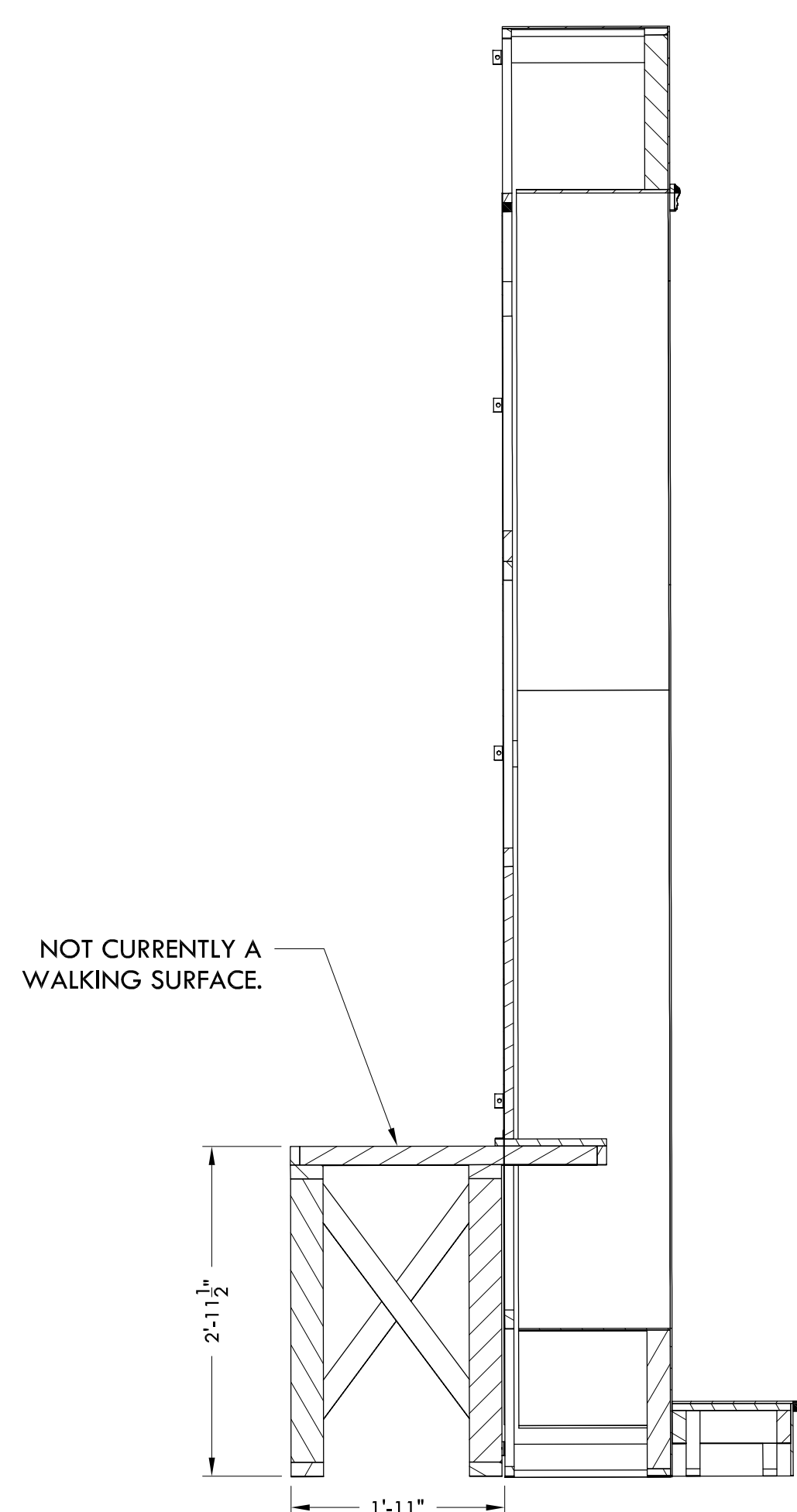
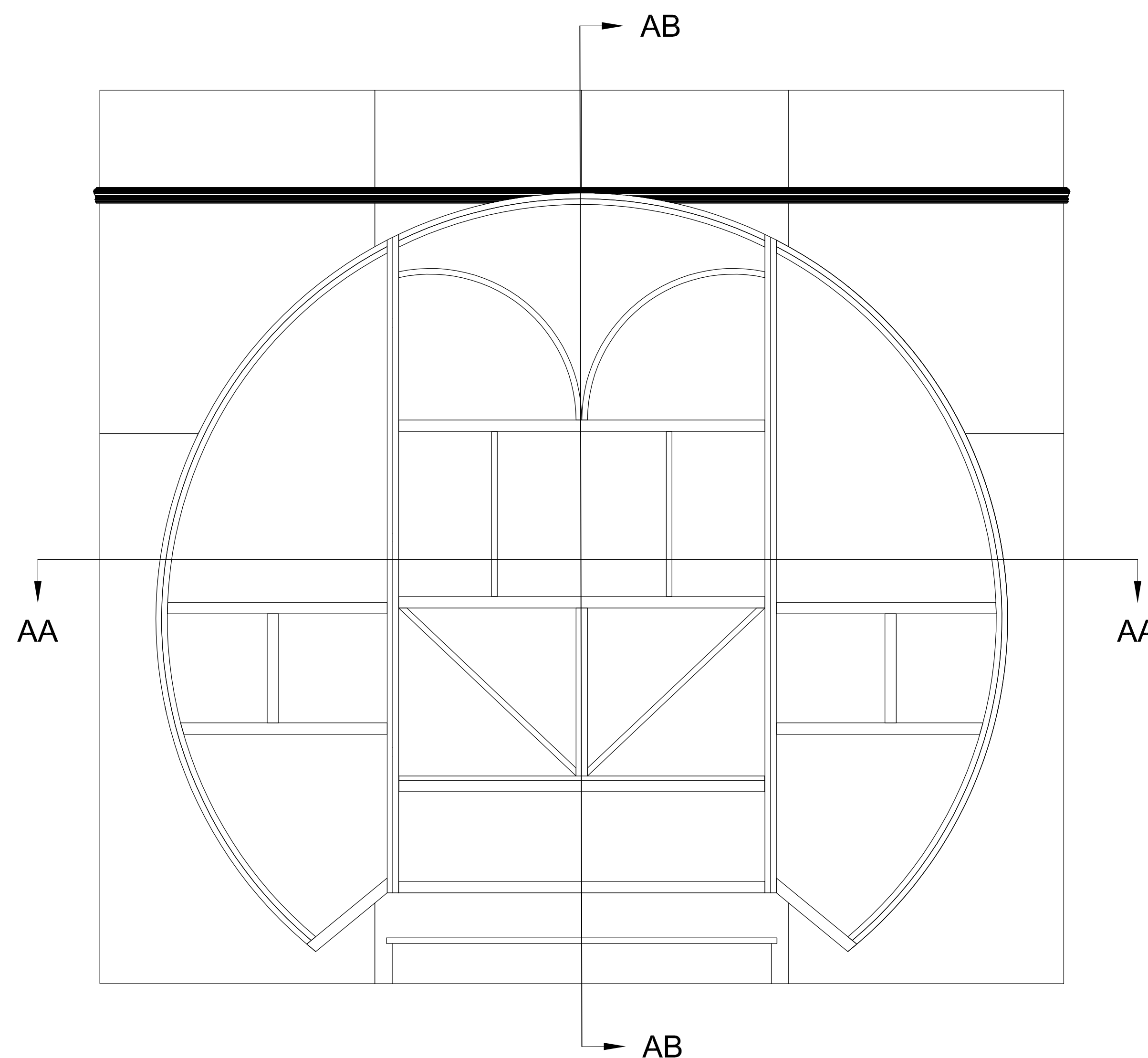
100

DWG BY **EVM**

SCALE **3/4" = 1'-0"**



SECTION AA-AA
SCALE 3/4" = 1'-0"



SECTION AB-AB
SCALE 3/4" = 1'-0"

