

BEAUTY AND THE BEAST

CHANDELIER - AIR CYLINDER MOUNTING BRACKET 2

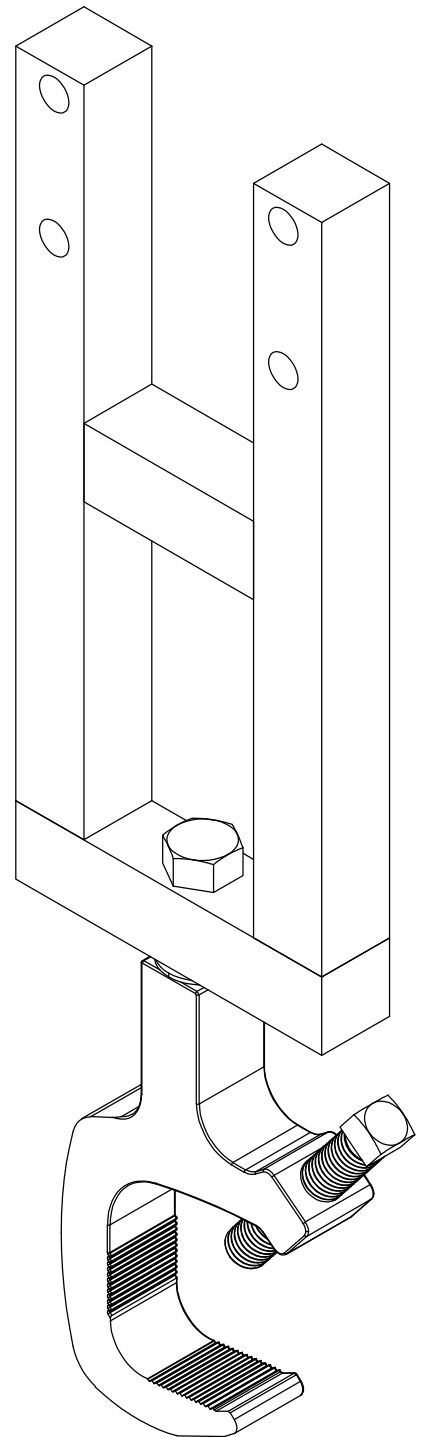
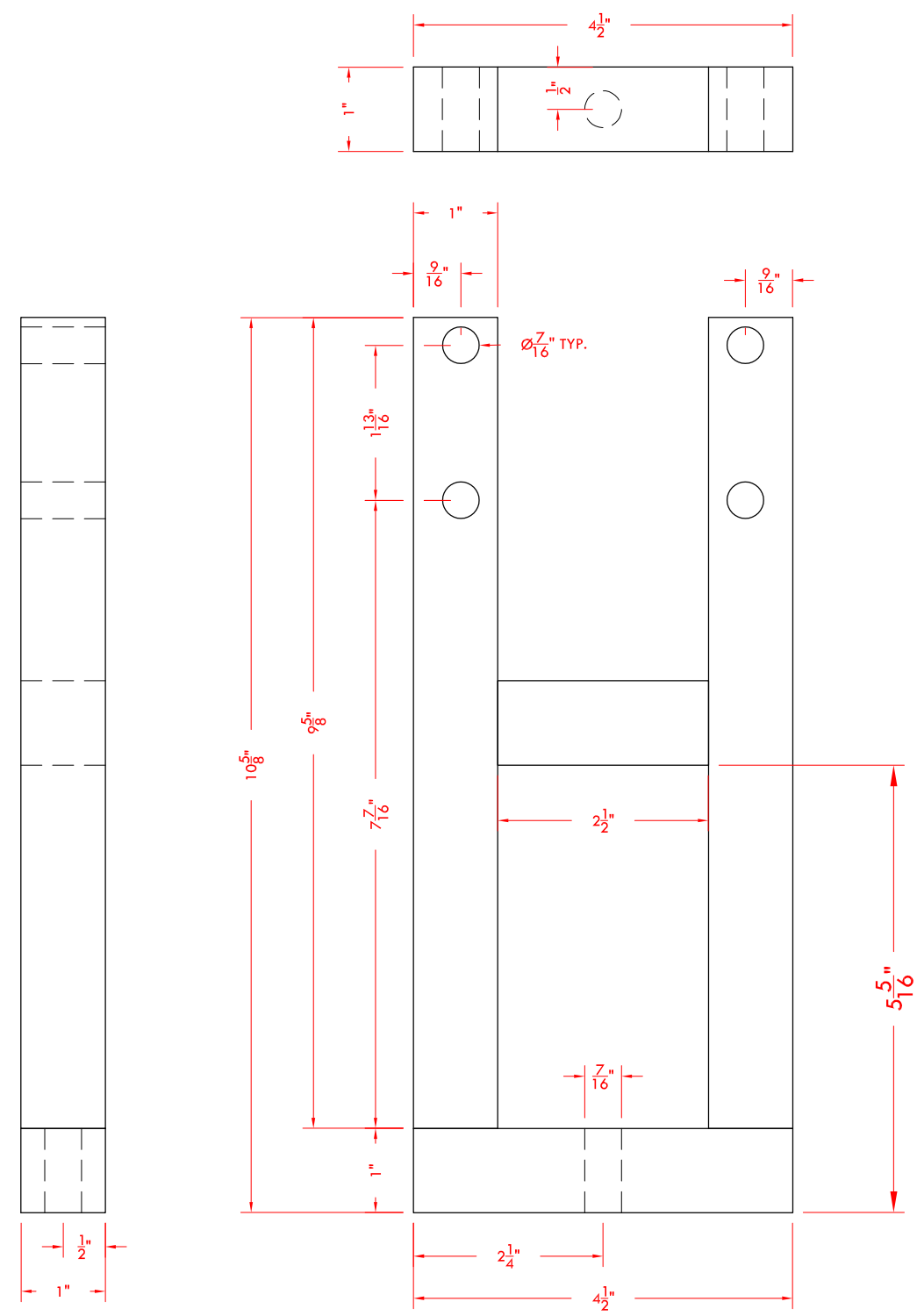
DWG DESCRIPTION:
1"X1" 16 GAUGE STEEL TUBE AND A MEGA CLAMP

DIRECTOR: Kate Bryer
DESIGNER: Samina Vieth
TD: Elise Masur
DATE: 8/25/2016 REV #: REV#

812

DWG BY EVM

SCALE AS SHOWN



NOTES:

- ****MAKE 1.****
- HOLE SIZES ARE INTENTIONAL. PLEASE DO NOT ALTER.
- GRIND ALL SURFACE WELDS.
- SEE ELISE WITH QUESTIONS.

CUT LIST

- 1X1
- 2 @ 0'-9 5/8" (each with two 7/16" dia holes spaced according to DWG)
- 1 @ 0'-2 1/2"
- 1 @ 0'-4 1/2" (with a 7/16" dia hole at center)