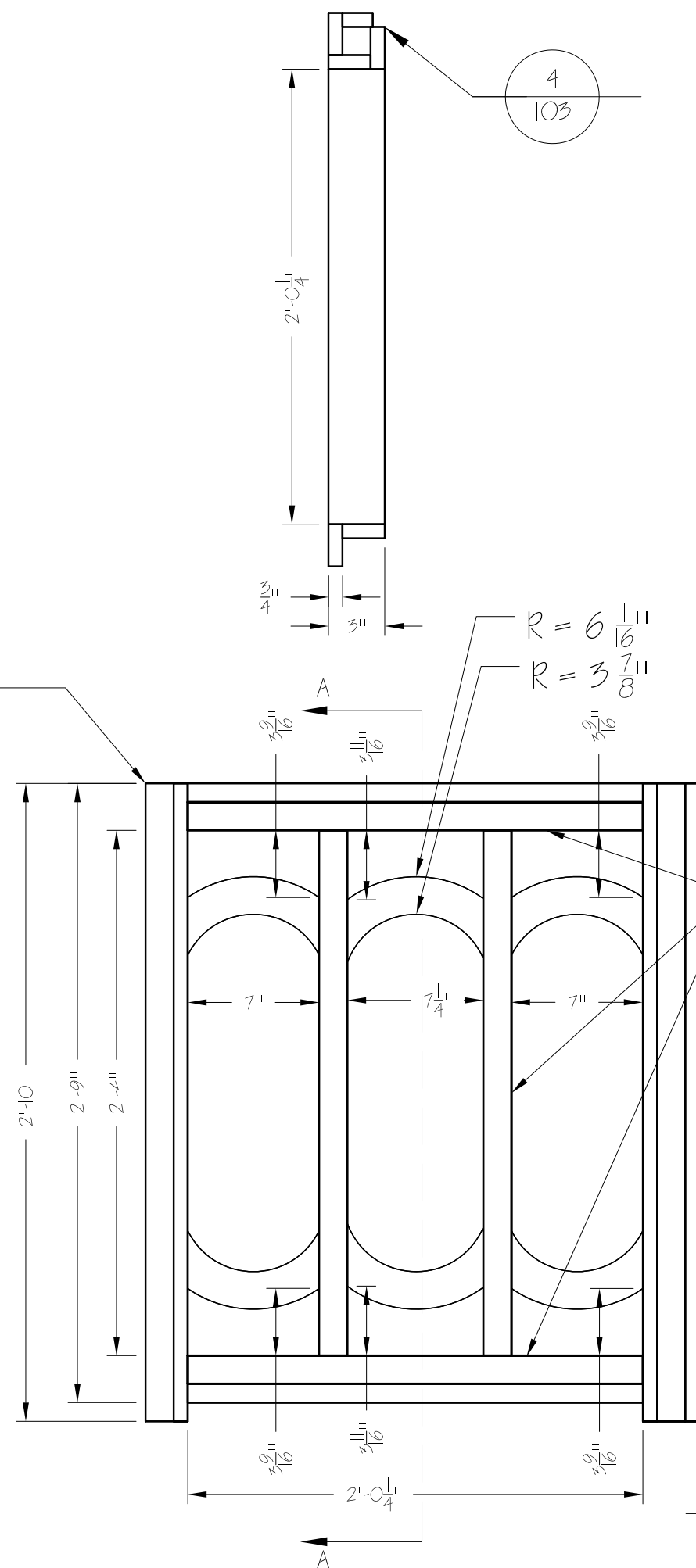
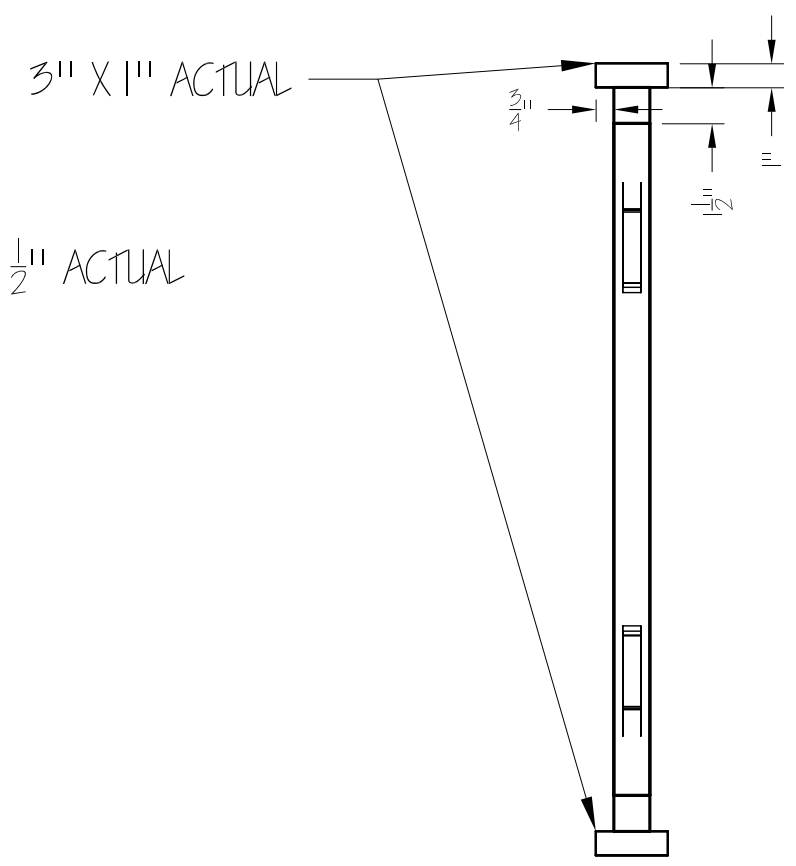


1 X MATERIAL



4  
103

NOTES:  
 BUILD TWO (2) TOTAL (ONE IS R&R)  
 ATTACH TEMPORARY BRACING AS NEEDED.  
 UNLESS SPECIFIED, GLUE AND FINISH NAIL  
 ALL COMPONENTS TOGETHER.



1  
106

SL AND SR BALCONY RAILING - TOP, FRONT, AND SIDE VIEWS  
 ARCS ARE CUT FROM 3/4" PLY  
 ATTACH ARCS TO VERTICALS WITH POCKET SCREWS  
 FOR CLARITY, SECTION VIEW DOES NOT INCLUDE 1 X UPRIGHTS

11/2" = 1'-0"

Director: JEREMY WILLIAMS  
 Scenic Designer: HEATHER ROBERSON  
 Technical Director: PHIL BRULOTTE  
 Assistant Technical Director: ELISE MASUR  
 Scale: AS SHOWN

TWO GENTLEMEN OF VERONA  
 BALCONY - SL AND SR RAILING

Plate Number:  
 106