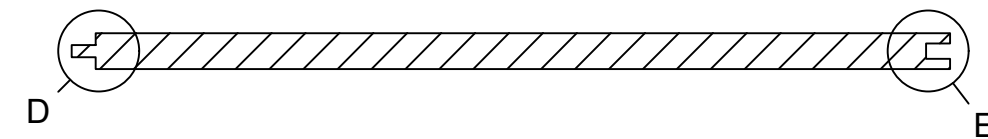
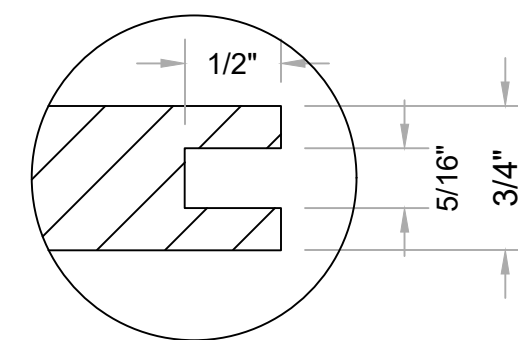


DETAIL D
SCALE 1'-0" = 1'-0"

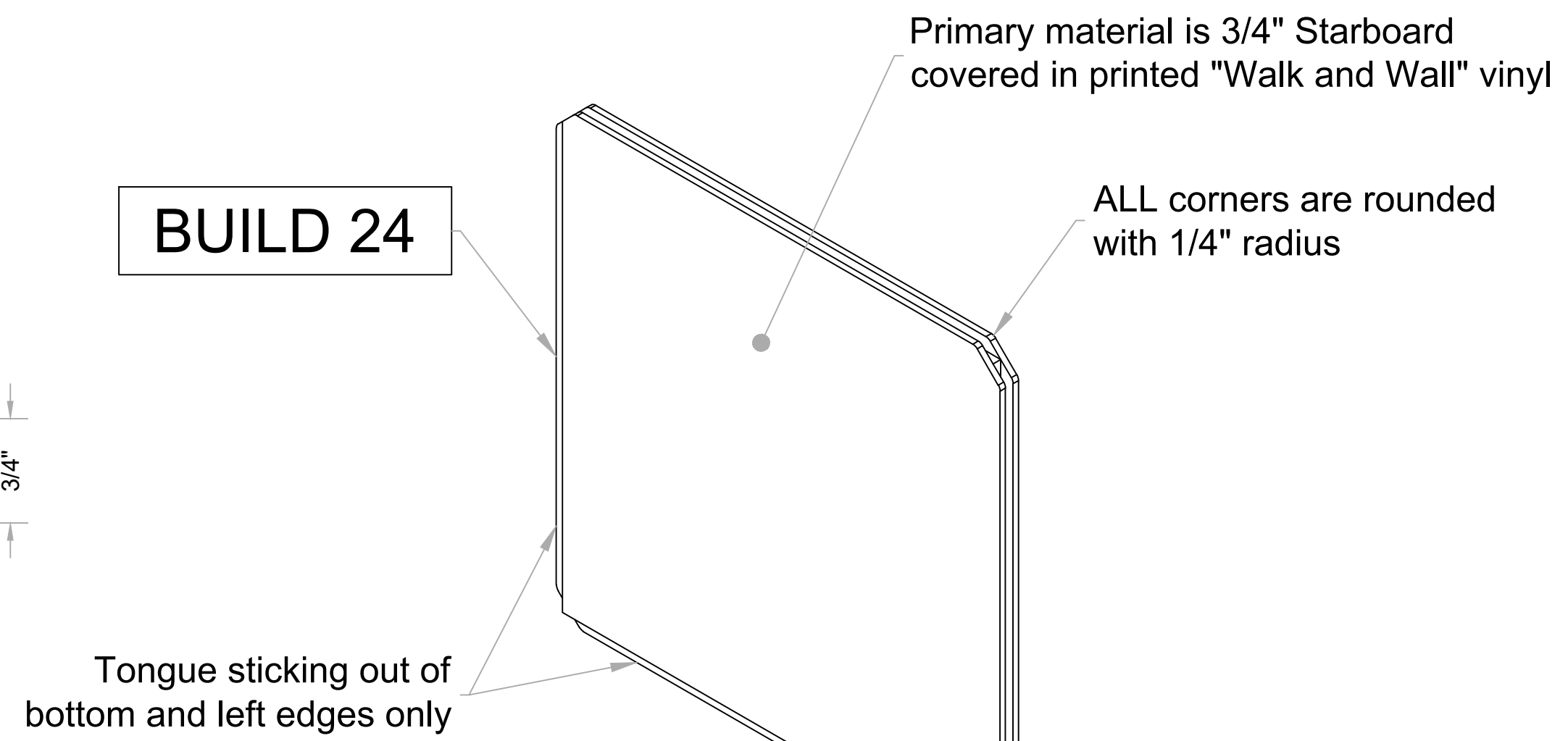


1 SECTION C-C
SCALE 3" = 1'-0"

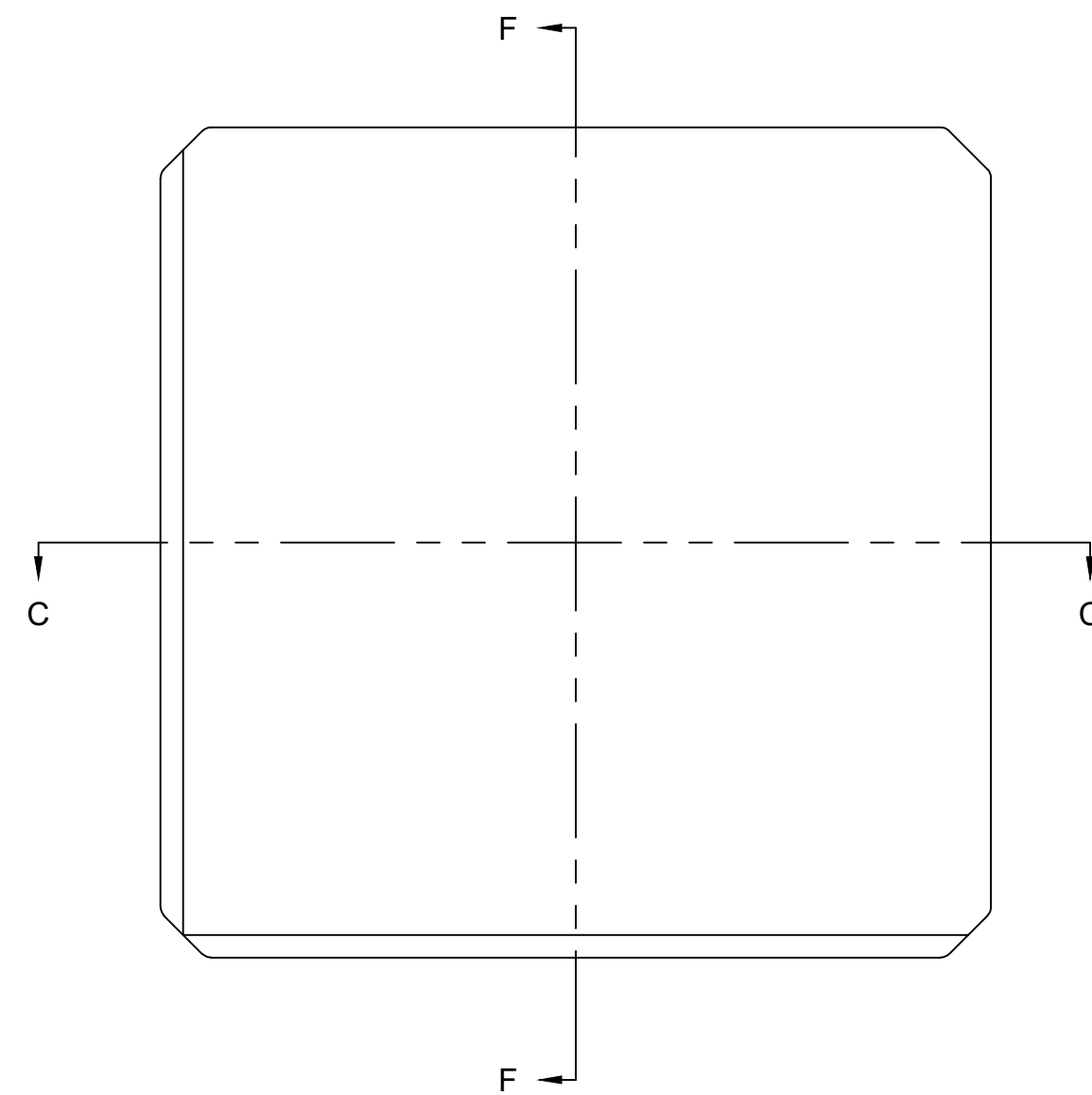


DETAIL E
SCALE 1'-0" = 1'-0"

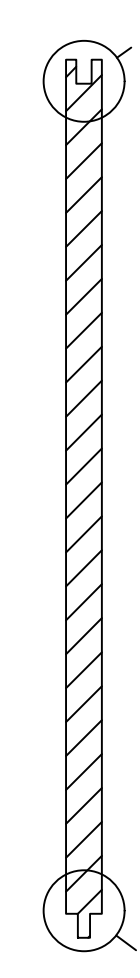
BUILD 24



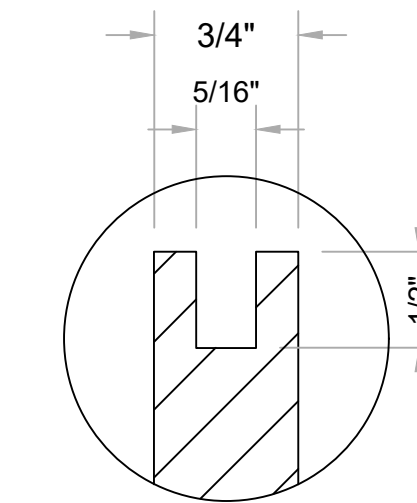
4 FRONT ISO
Scale: NTS



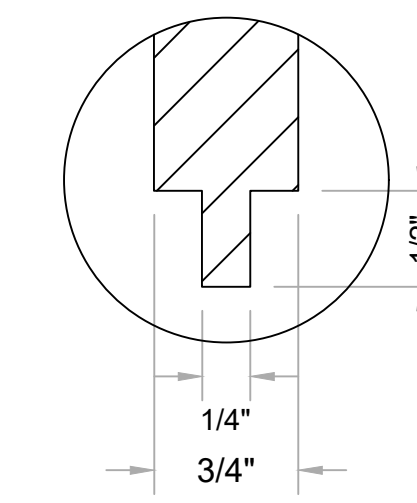
2 FRONT
Scale: 3" = 1'-0"



3 SECTION F-F
SCALE 3" = 1'-0"



DETAIL G
SCALE 1'-0" = 1'-0"



DETAIL H
SCALE 1'-0" = 1'-0"