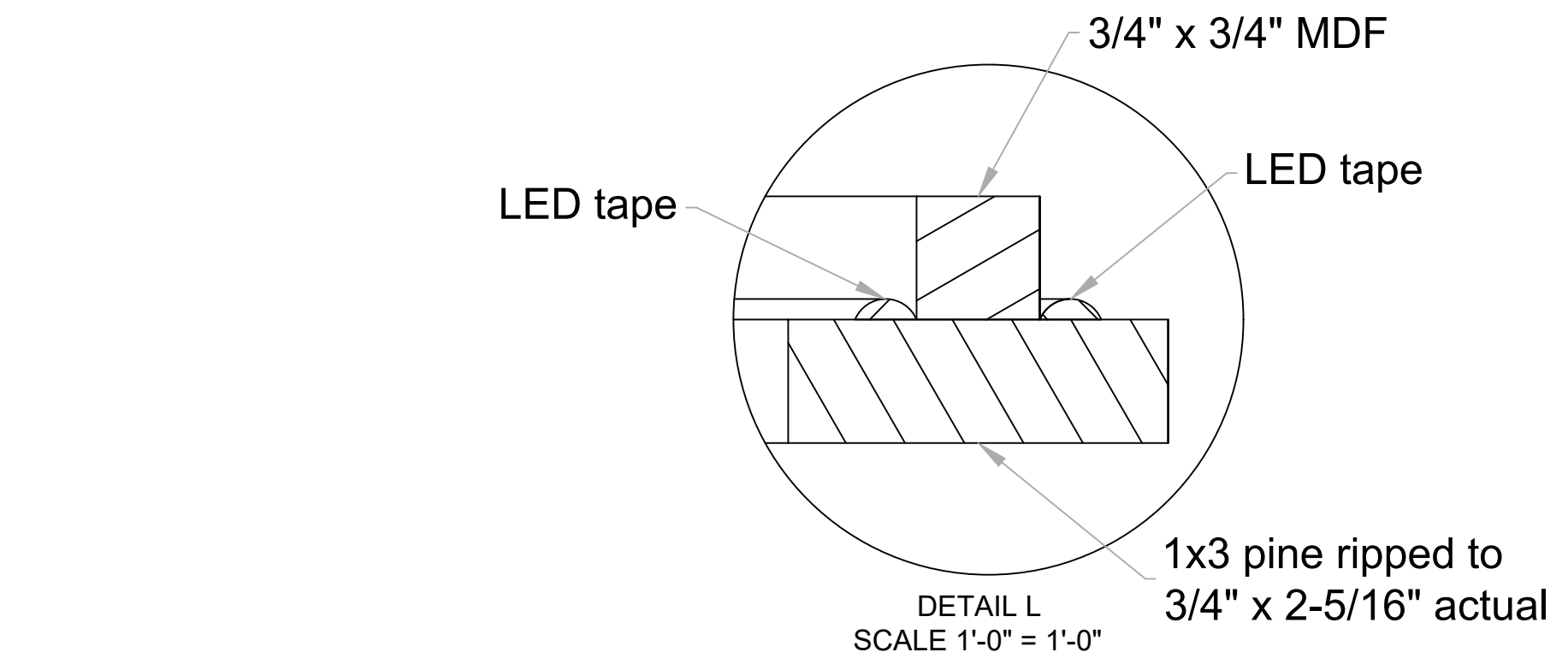
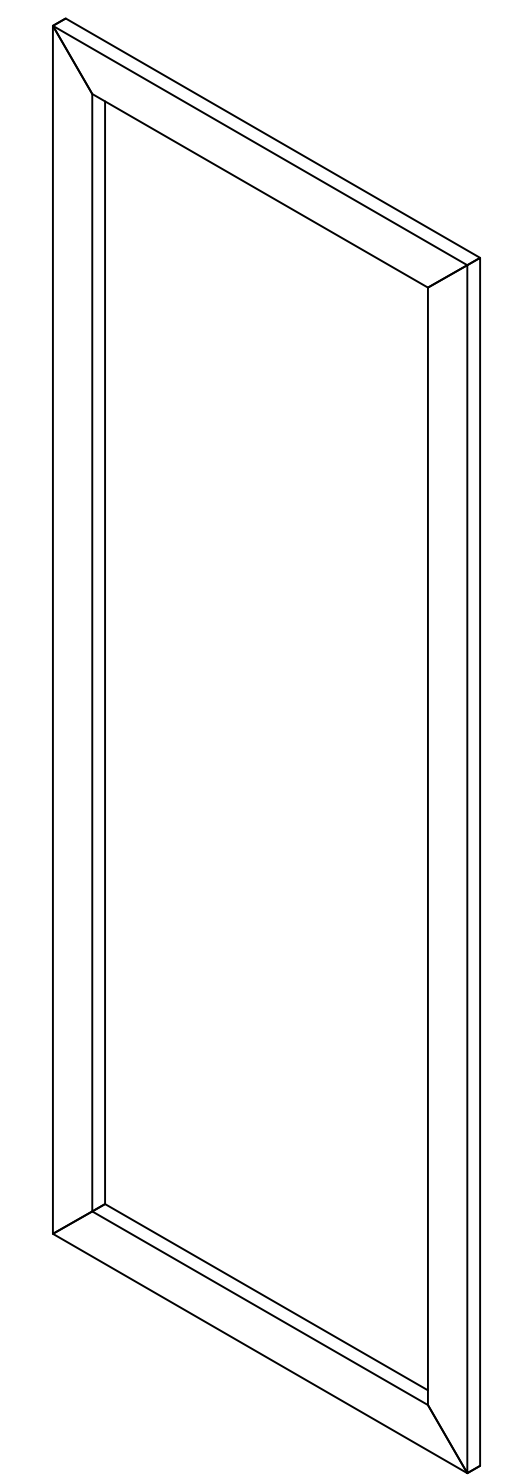


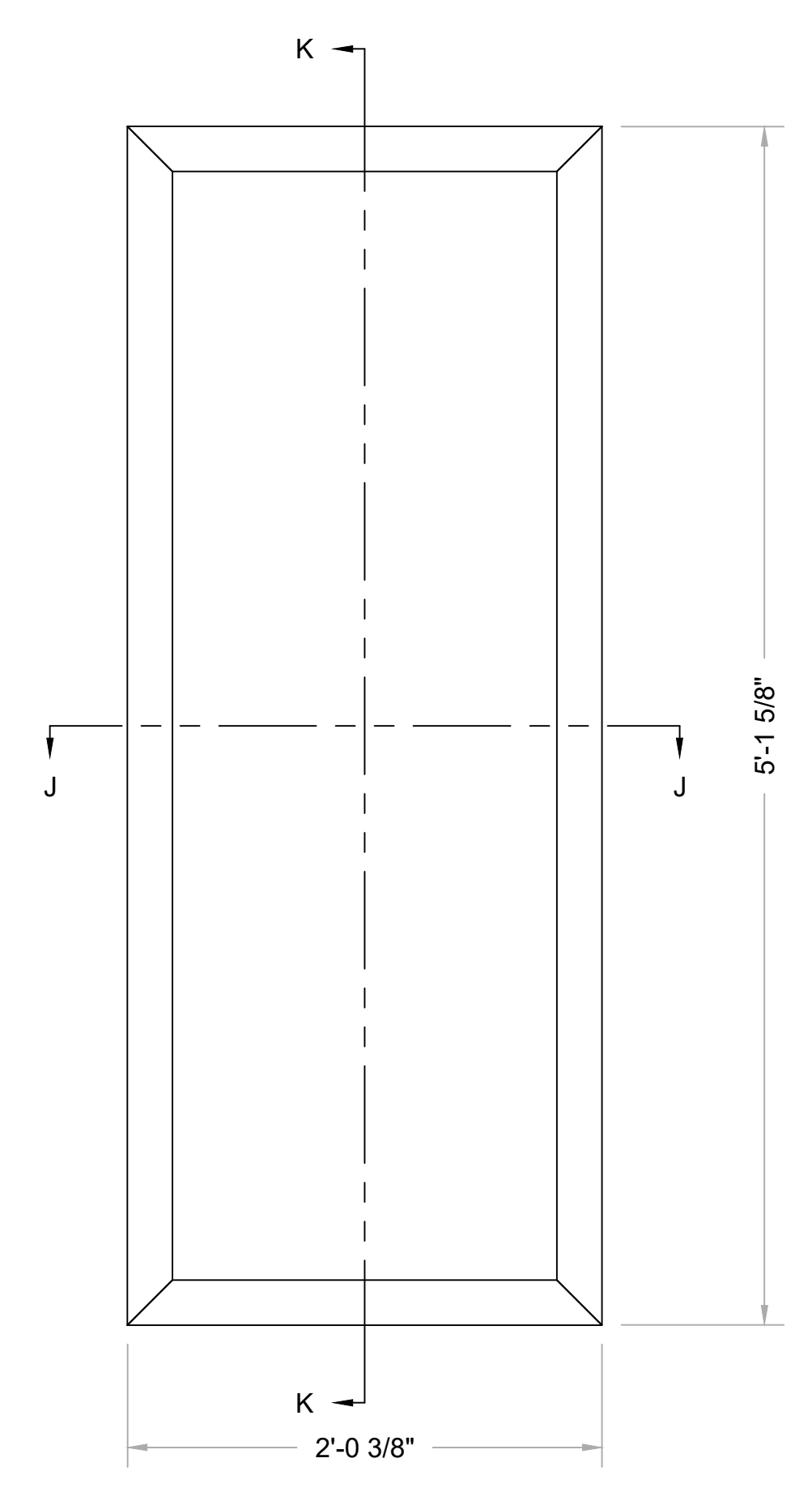
1 FRONT
Scale: 3/4" = 1'-0"



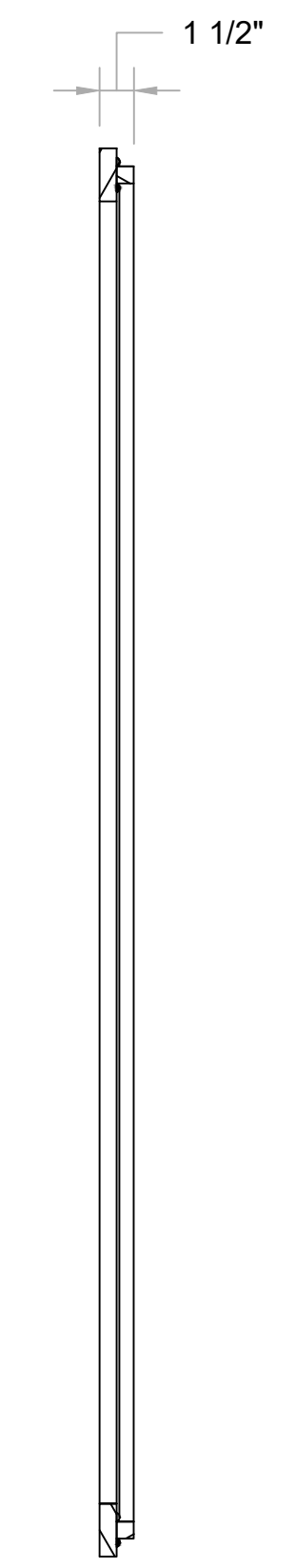
2 SECTION J-J
SCALE 1-1/2" = 1'-0"



5 EXAMPLE WINDOW - FRONT ISO
Scale: NTS



3 EXAMPLE WINDOW - FRONT
Scale: 1-1/2" = 1'-0"



4 SECTION K-K
SCALE 1-1/2" = 1'-0"