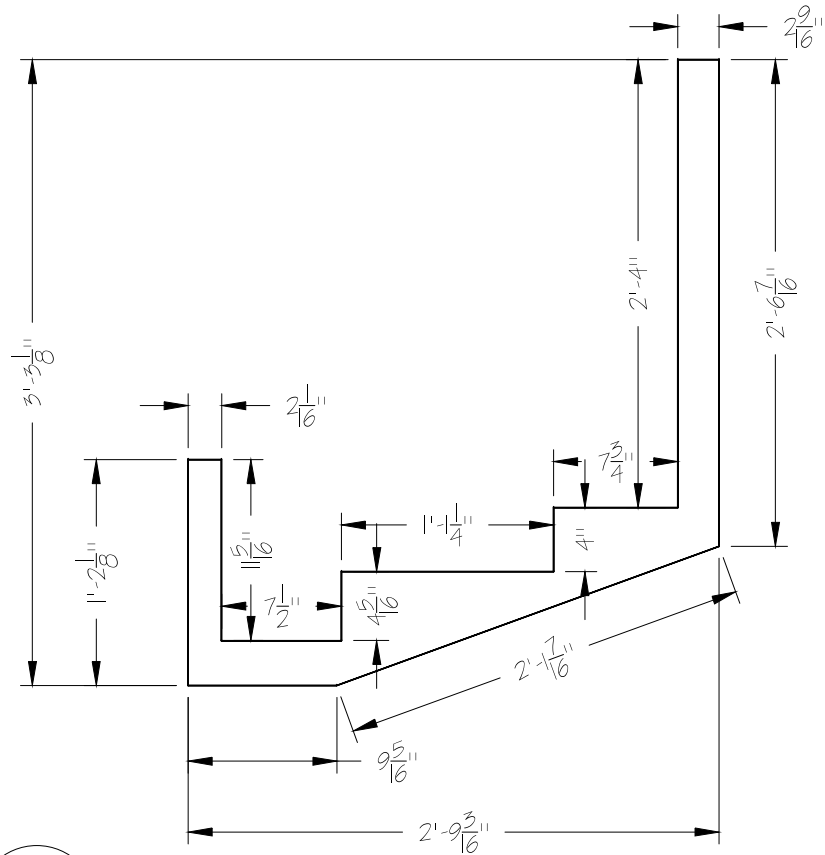
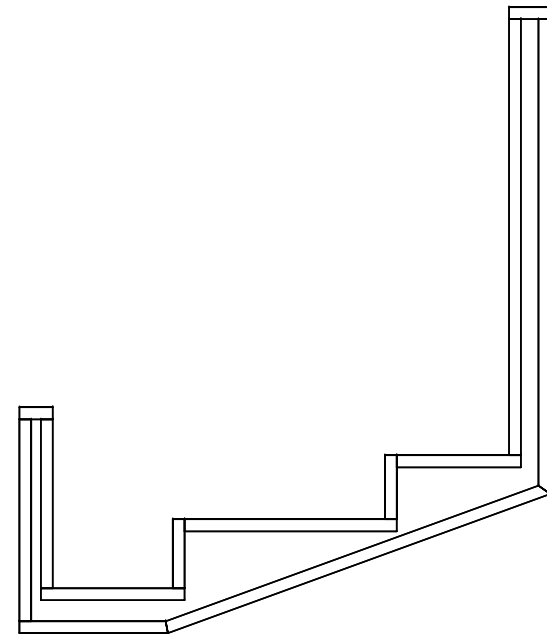


1
201 COLUMN BASE - FRAME 1 = 1'-0"
CUT FROM 3/4" PLYWOOD RIPPED TO 2'-9 1/2" WIDE.
ASSEMBLE WITH GLUE AND FRAMING NAILS.

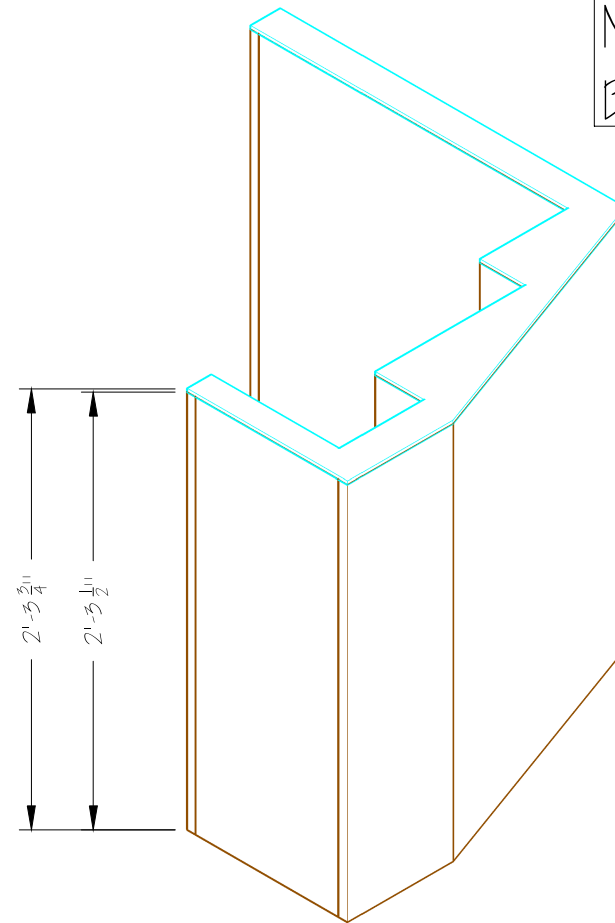


3
201 COLUMN BASE - LID 1 = 1'-0"
CUT FROM 1/4" LUAN.
ATTACH TO LID WITH GLUE AND NARROW CROWN STAPLES.



2
201 COLUMN BASE - FRAME 1 = 1'-0"
DIMENSIONS REMOVED FOR CLARITY.

NOTE:
BUILD TWO (ONE IS R&R).



4
201 COLUMN BASE - ISOMETRIC VIEW 1 = 1'-0"