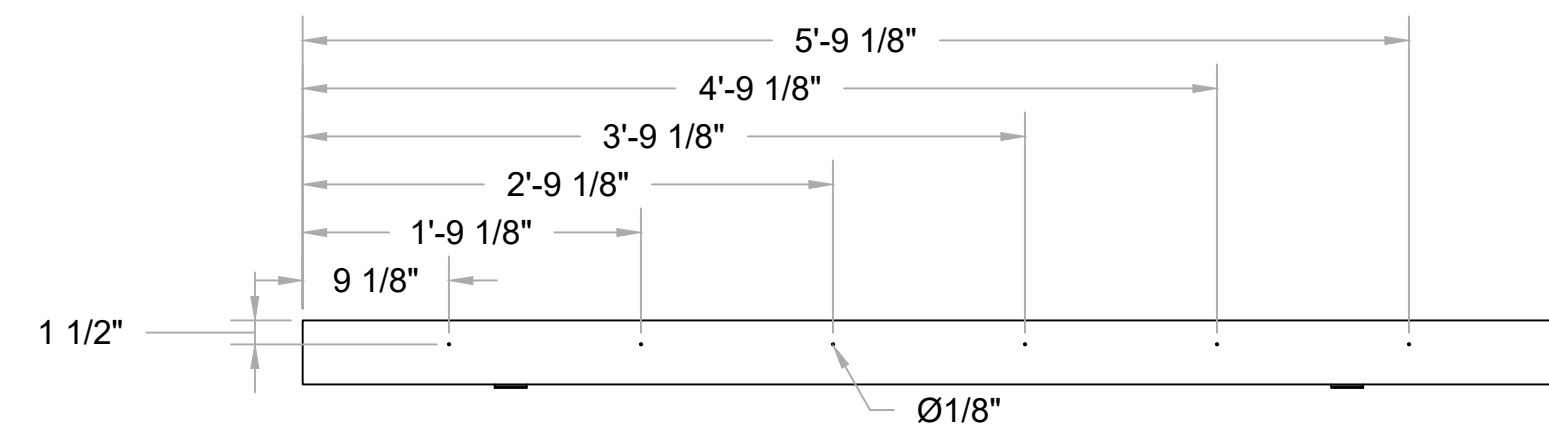
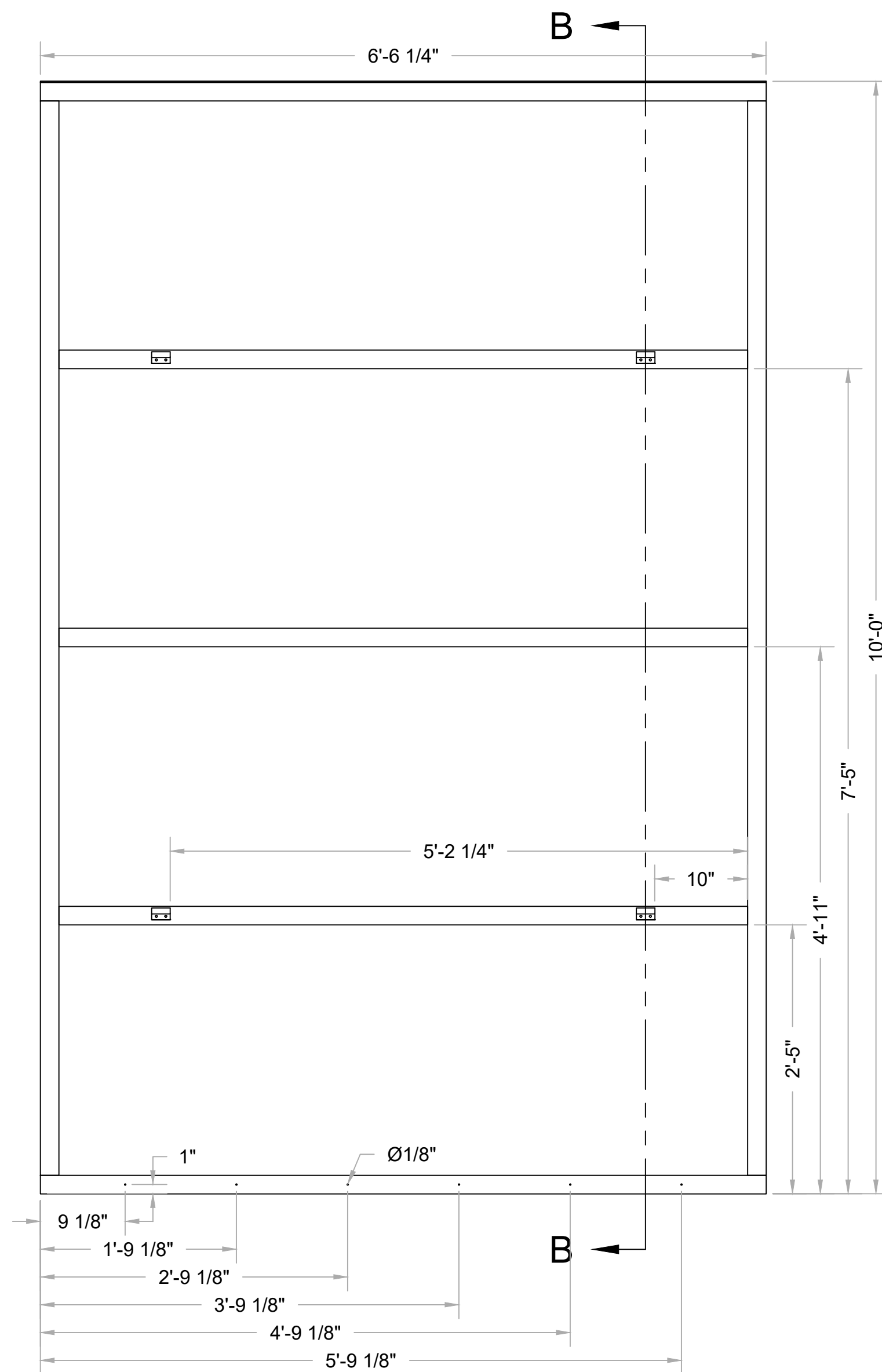


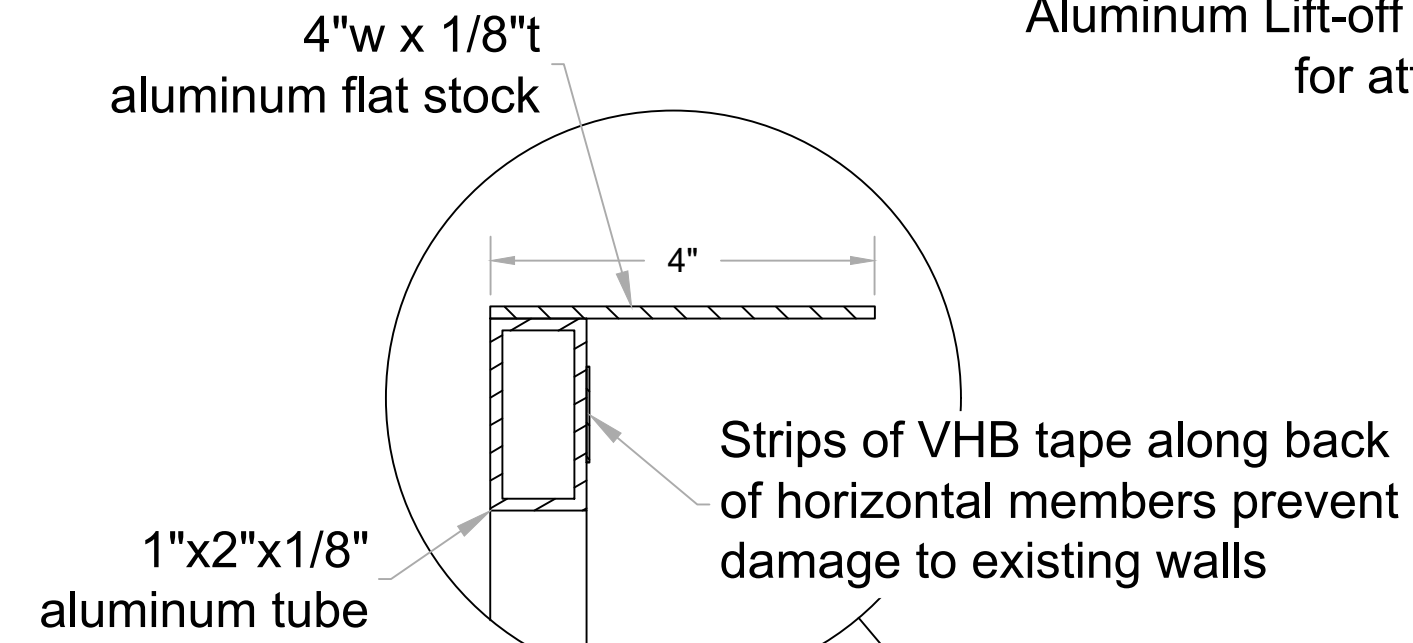
PANEL 3 WALL MOUNT FRAME



1 TOP
Scale: 1" = 1'-0"

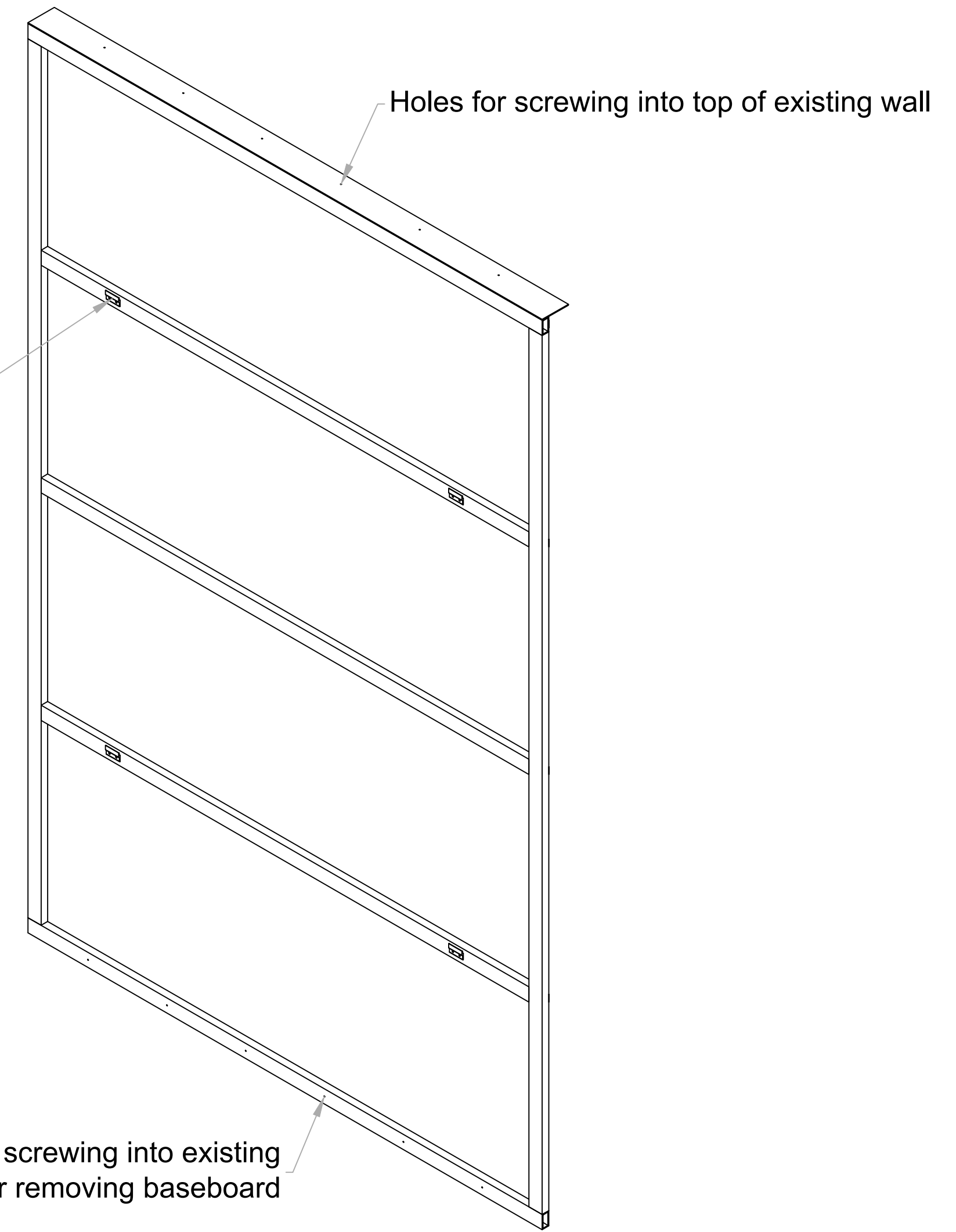


2 FRONT
Scale: 1" = 1'-0"

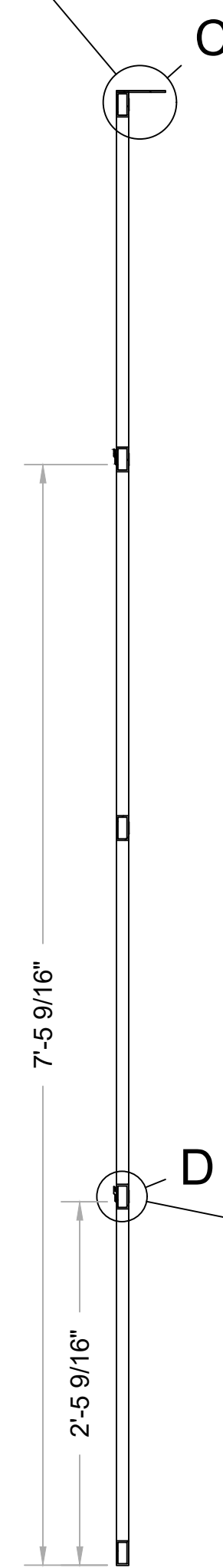


DETAIL C
SCALE 6" = 1'-0"

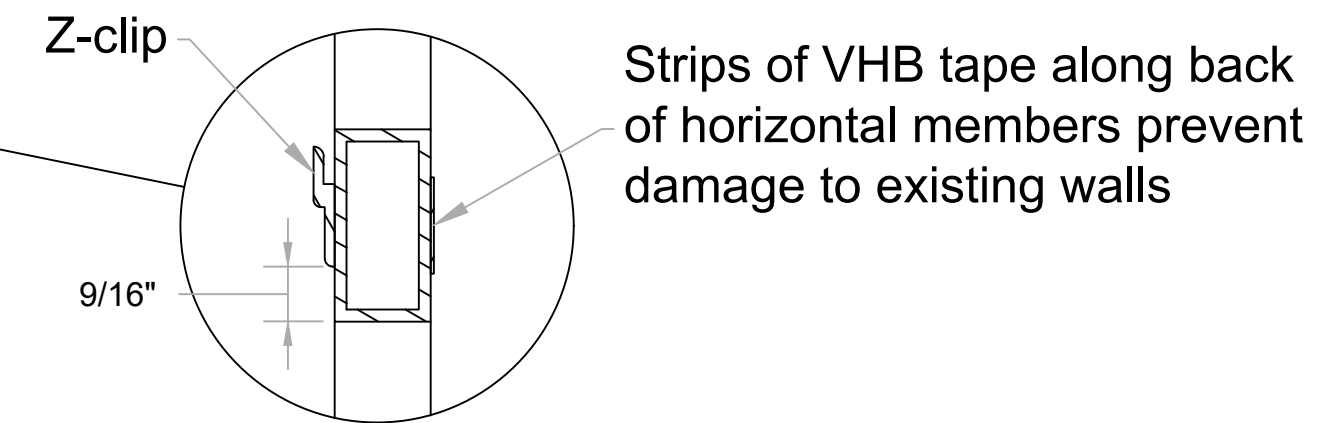
MCM# 1201A24 Z-clip
Aluminum Lift-off Panel Brackets
for attaching Panel 3



4 FRONT ISO
Scale: NTS



1 SECTION B-B
SCALE 1" = 1'-0"



DETAIL D
SCALE 6" = 1'-0"