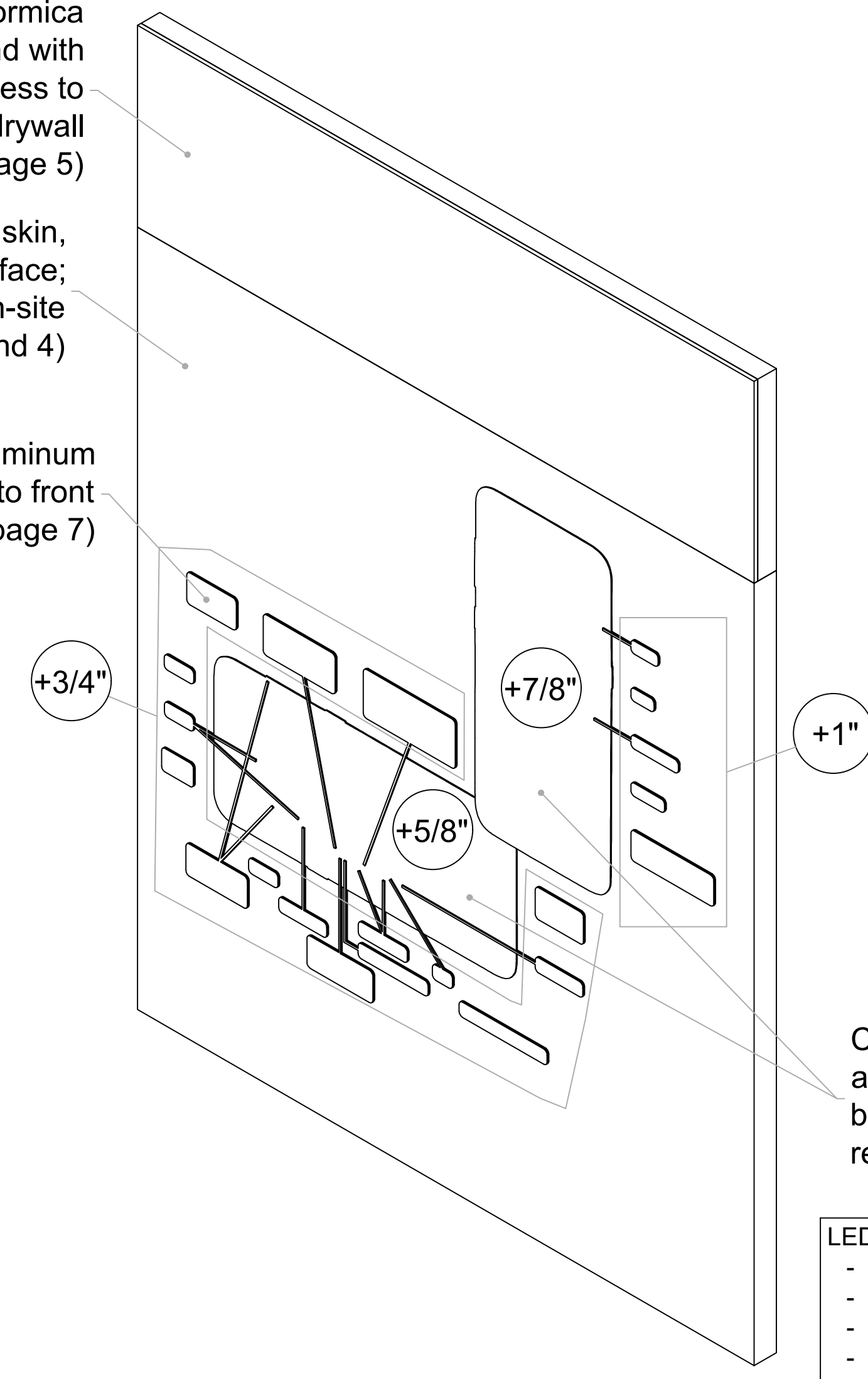


PANEL 2 OVERALL

Removable panel is 1/2" MDO with Formica 909-58 laminate on front and back and with printed vinyl finish on front; allows access to frame for attachment to existing drywall (see page 5)

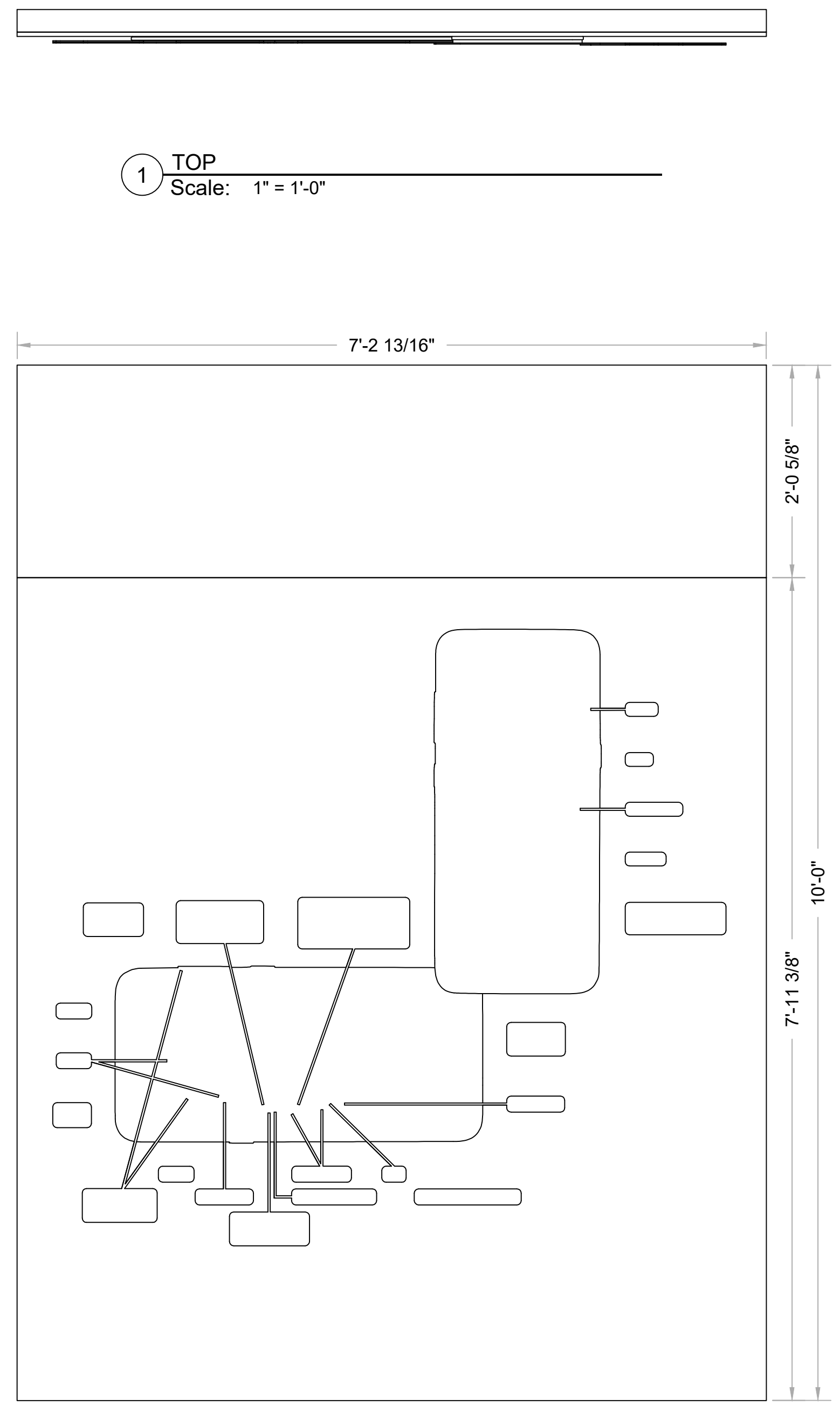
Panel is plywood construction; 1/2" MDO skin, Formica 909-58 Black laminated finish on face; printed vinyl overlay graphics to be applied on-site (see pages 3 and 4)

Callouts and lines are 1/8" aluminum with printed text; attachment to front of panel TBD (see page 7)



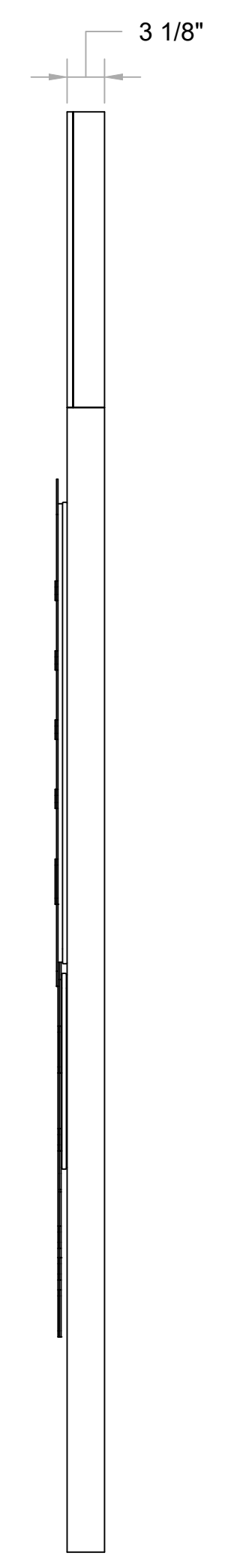
4 FRONT ISO
Scale: NTS

- LED LIGHT TAPE SPEC
- WWW.HITLIGHTS.COM
 - Input : 12V DC
 - Output : 384 Lumens per Foot
 - Color Temperature : 5000K Cool White
 - Power Requirements : 3.4 Watts per Foot
 - Strip Width : 10 mm
 - LEDs : 300 16.4 foot roll
 - Certification : UL-Listed
 - Part Number : L1012V-502-1630-U



1 TOP
Scale: 1" = 1'-0"

2 FRONT
Scale: 1" = 1'-0"



3 RIGHT
Scale: 1" = 1'-0"