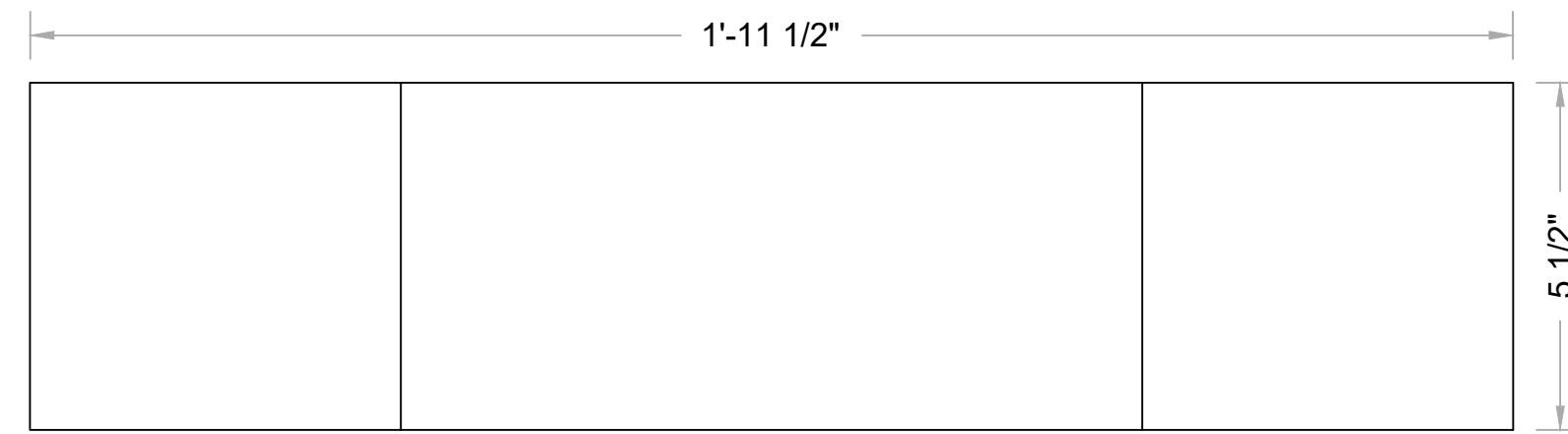
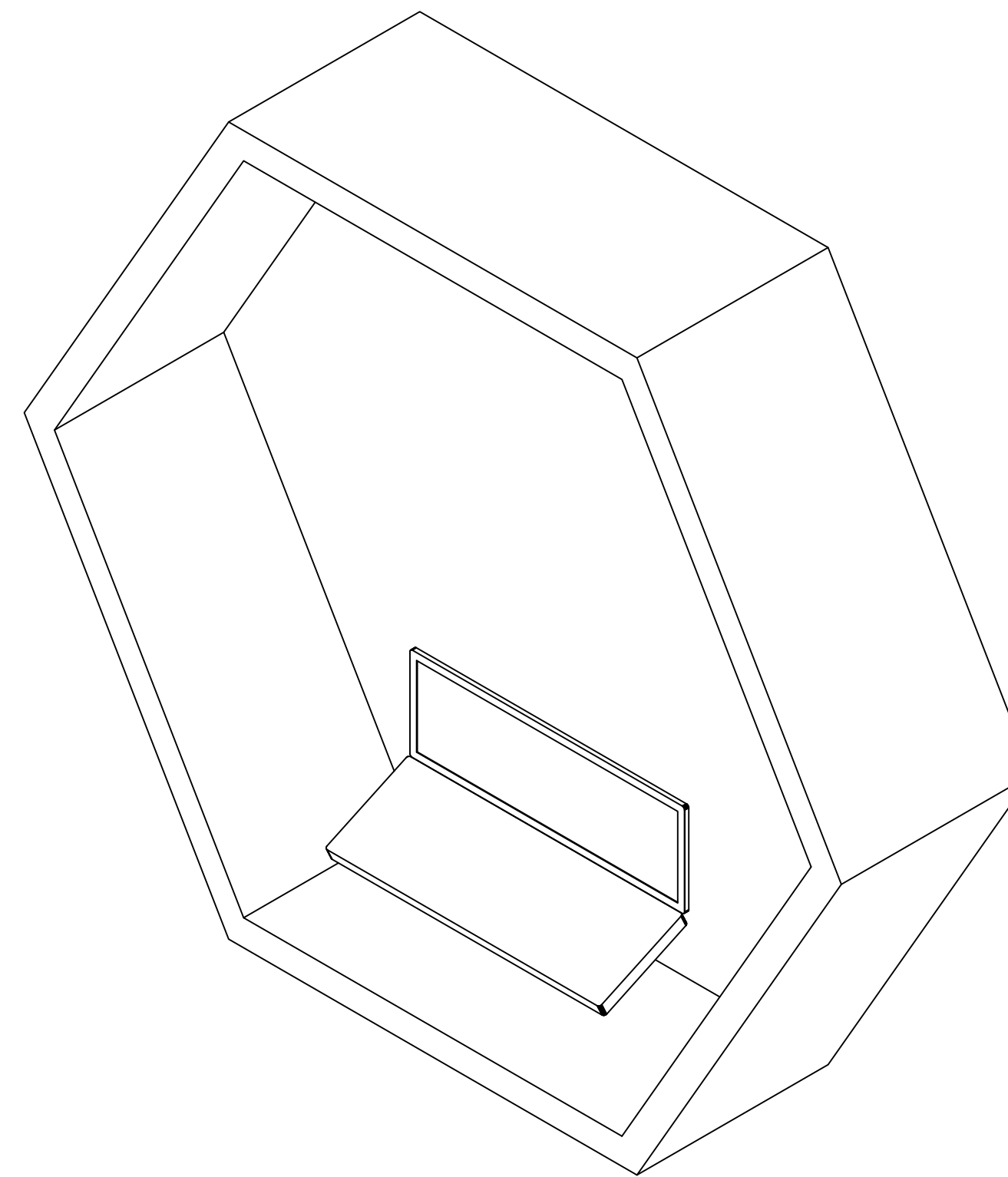


BUILD 4

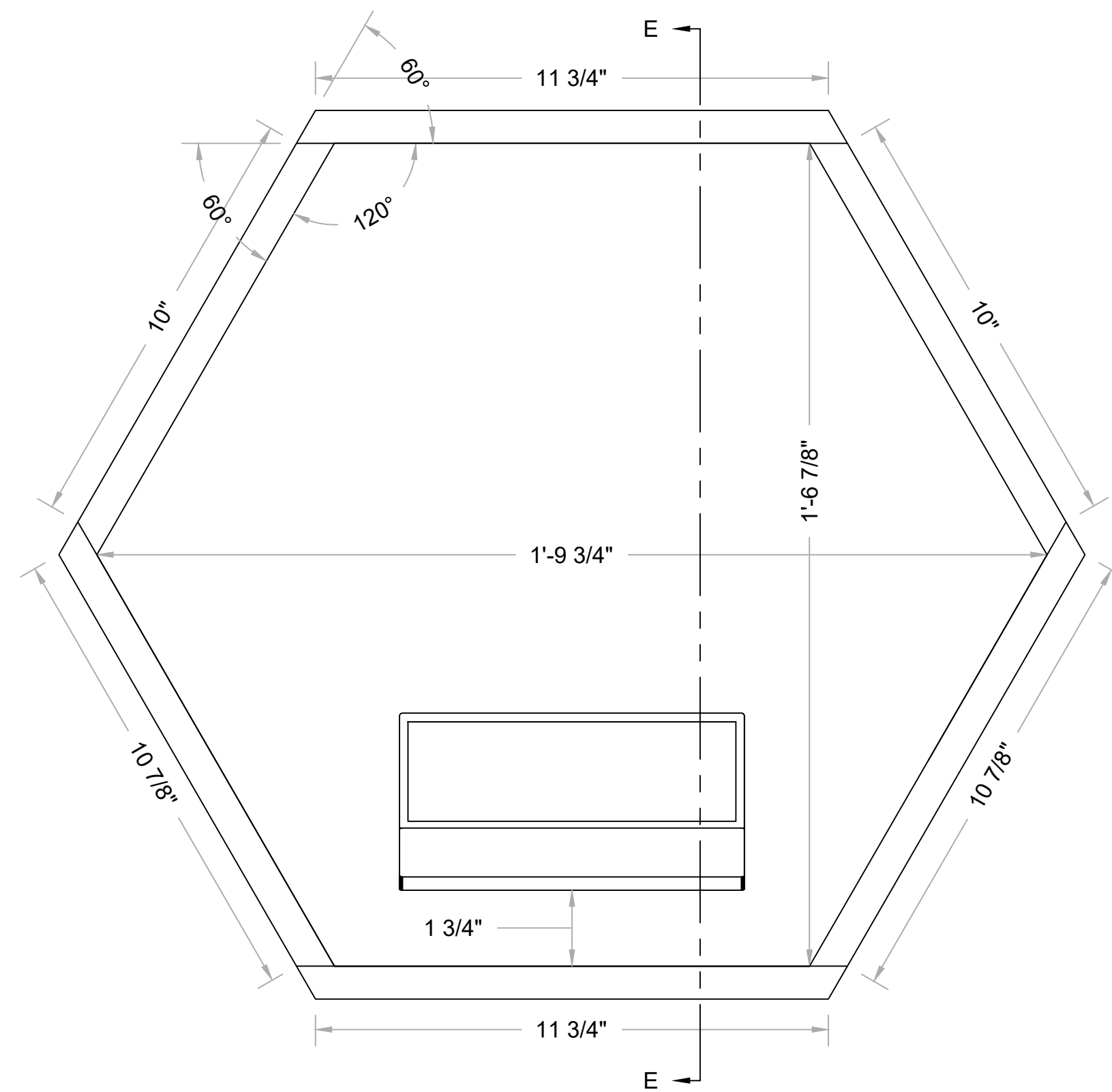
CNC profile is in project folder



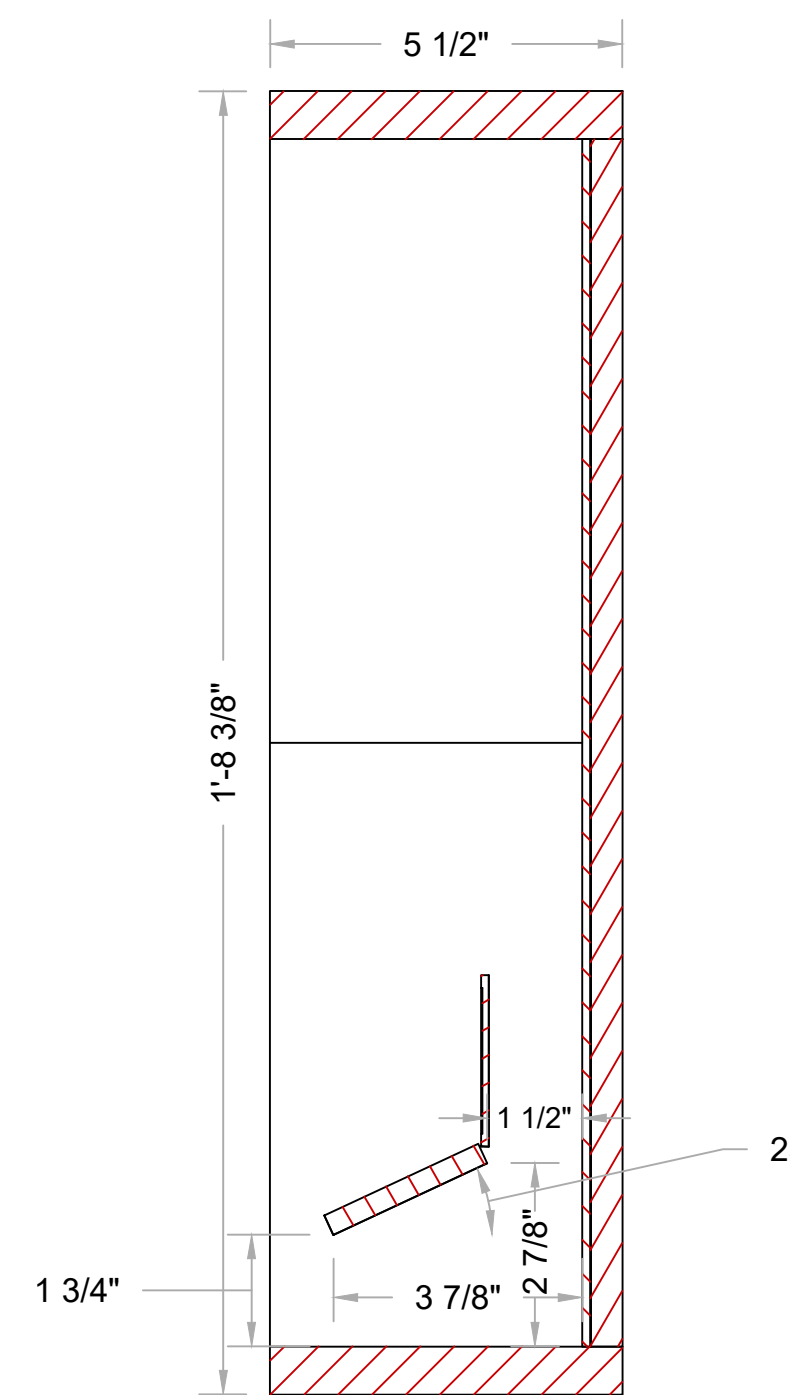
1 TOP
Scale: 4" = 1'-0"



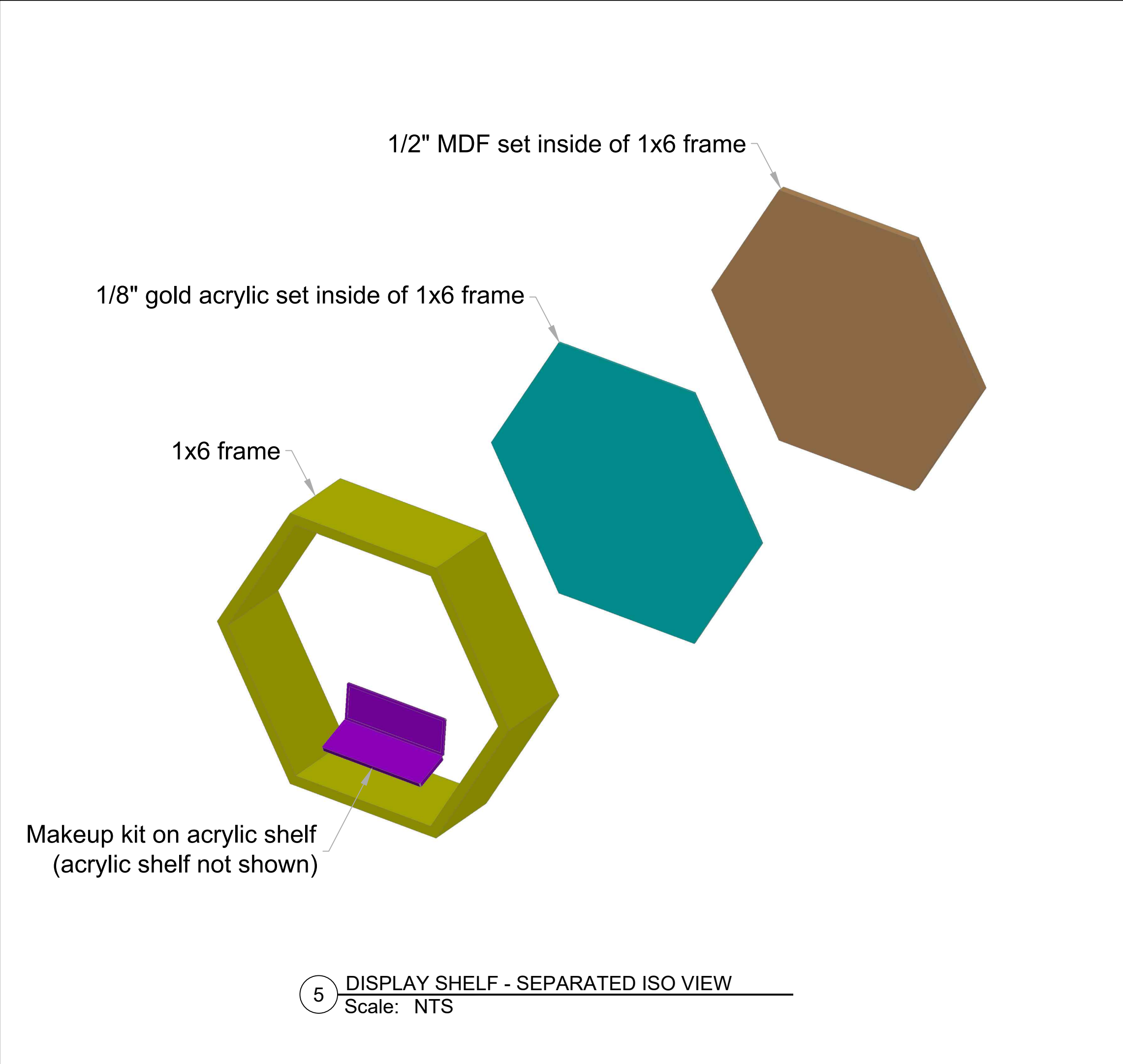
4 FRONT ISO
Scale: NTS



2 FRONT
Scale: 4" = 1'-0"



3 SECTION E-E
Scale: 4" = 1'-0"



5 DISPLAY SHELF - SEPARATED ISO VIEW
Scale: NTS