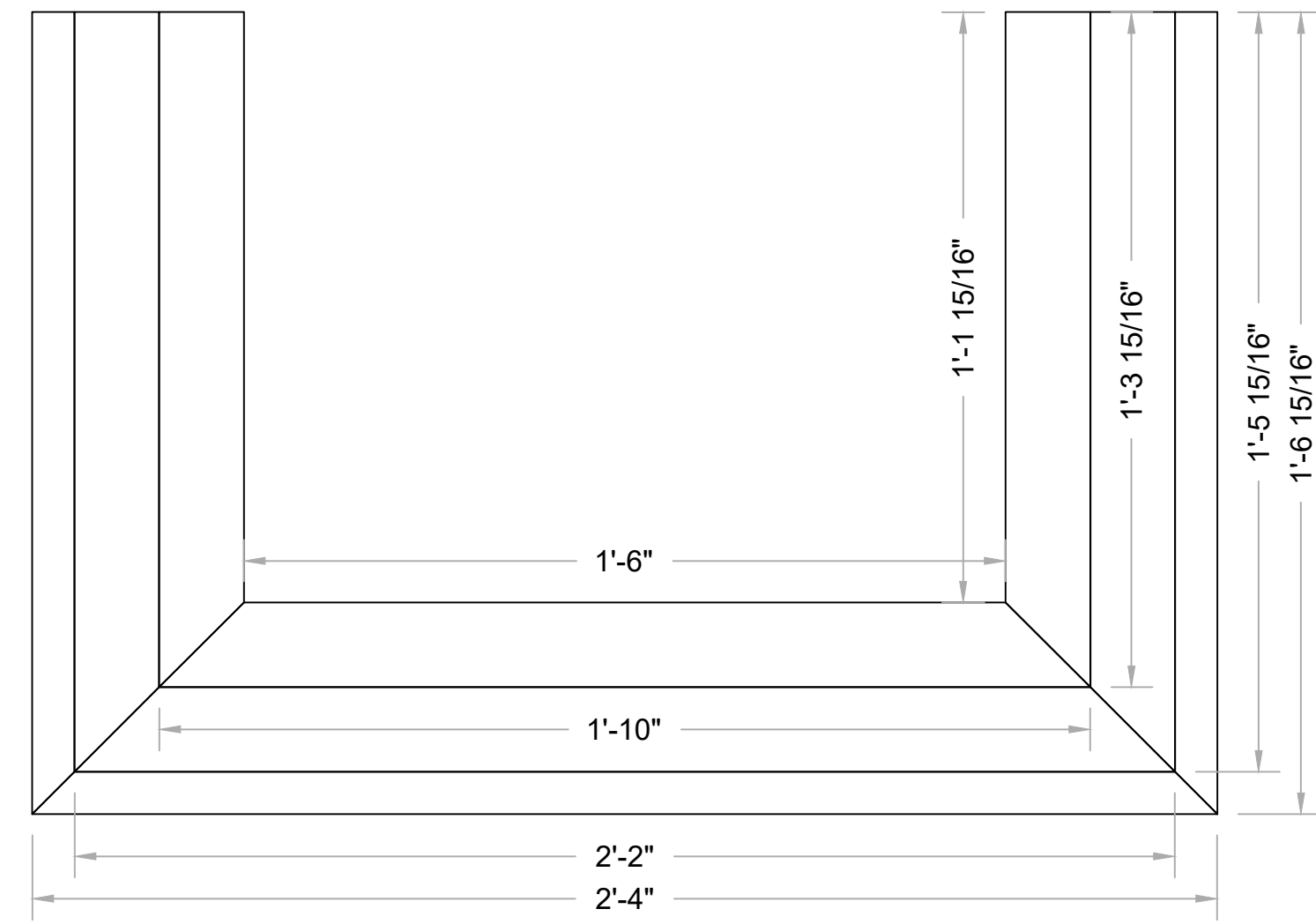
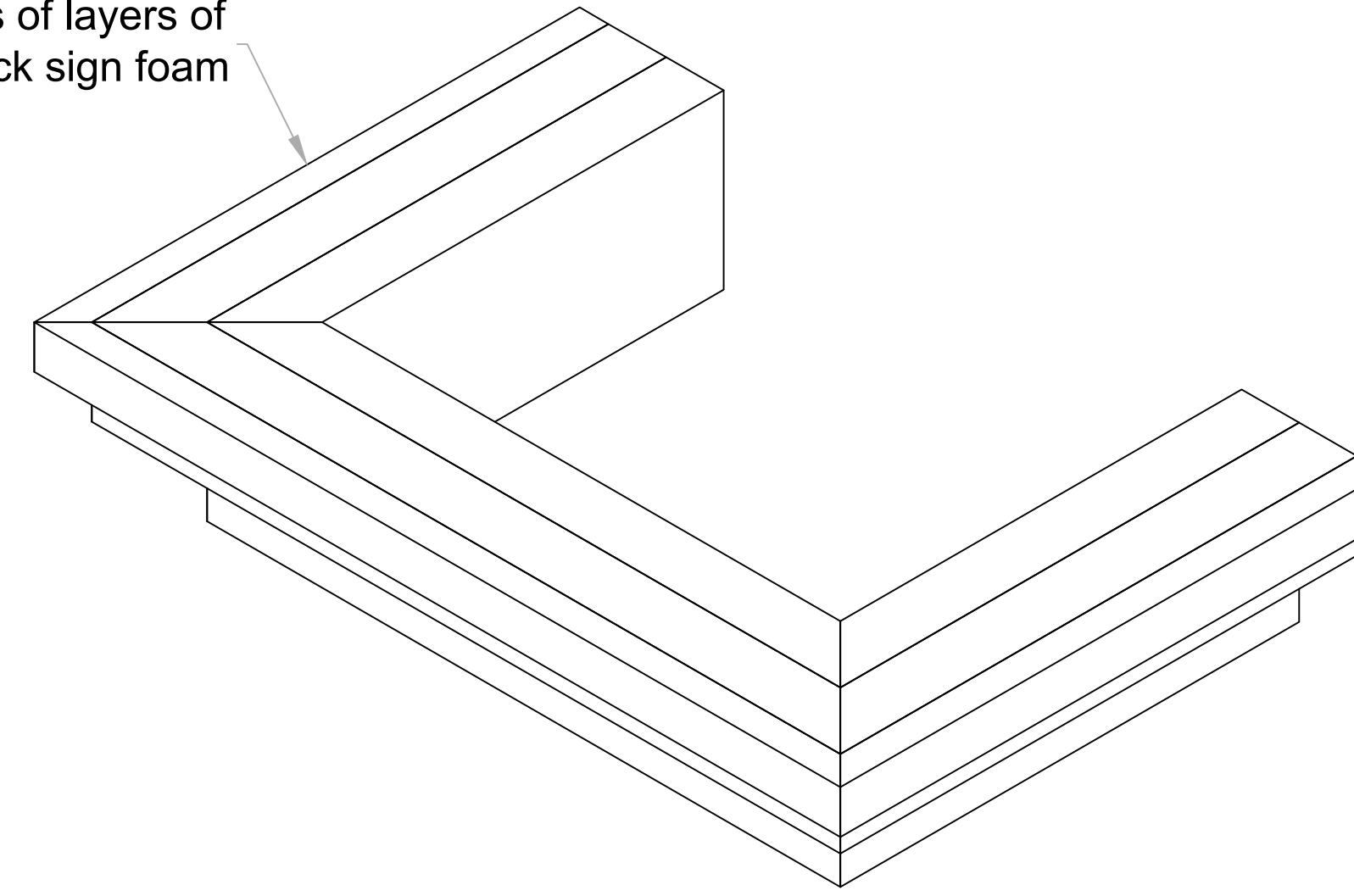


BUILD 2

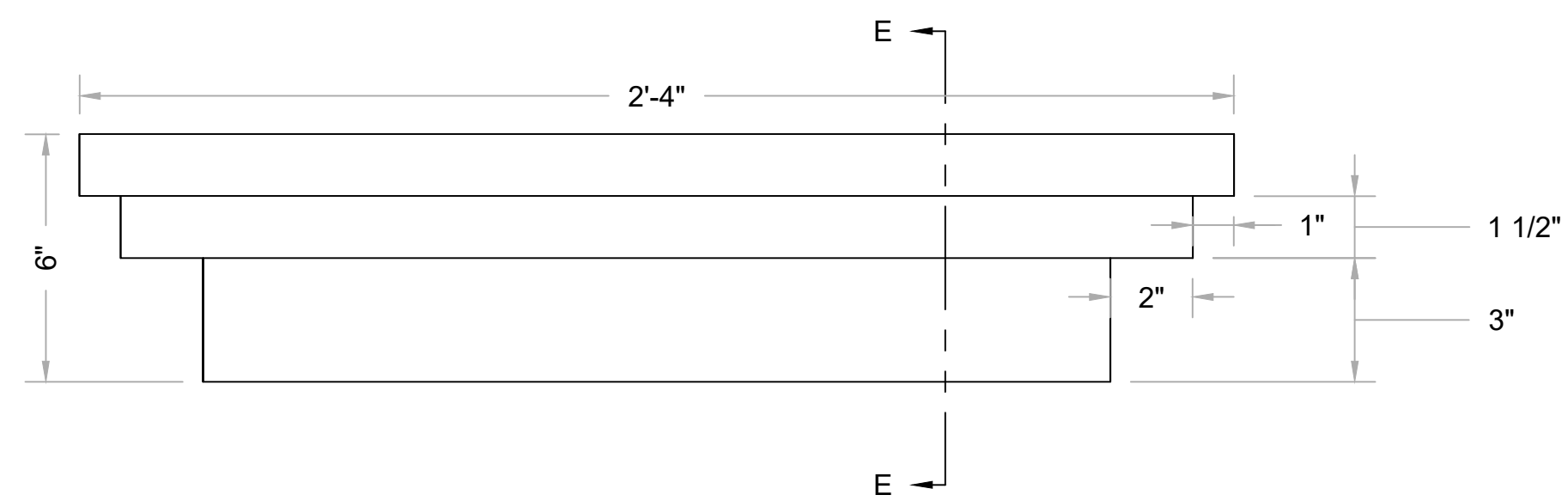


1 TOP
Scale: 3" = 1'-0"

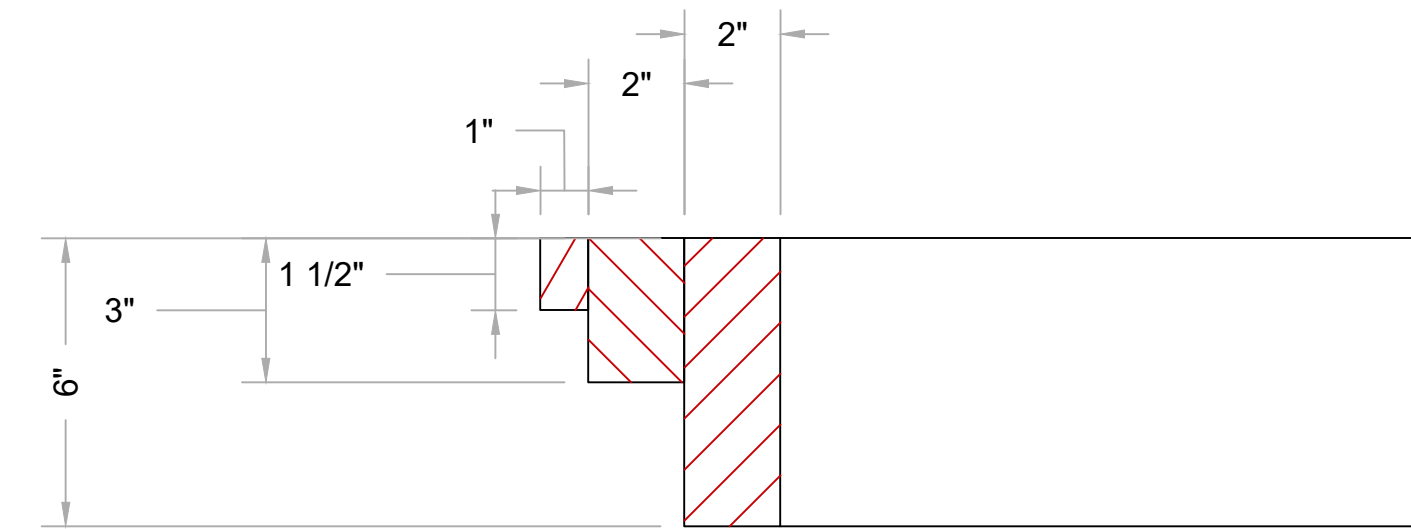
Top molding consists of layers of 2" thick and 1" thick sign foam



4 FRONT ISO
Scale: NTS



2 FRONT
Scale: 3" = 1'-0"



3 SECTION E-E
Scale: 3" = 1'-0"