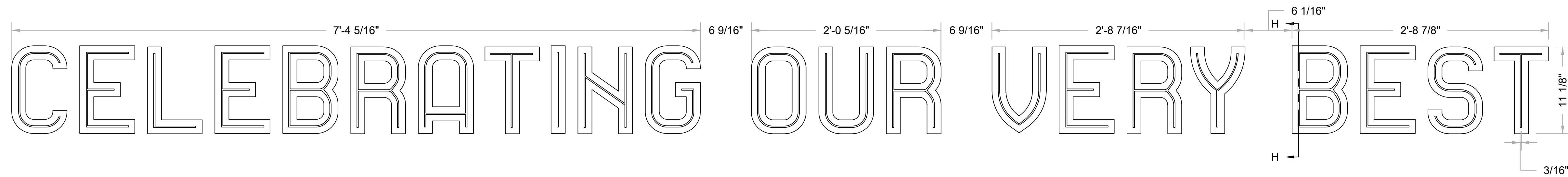
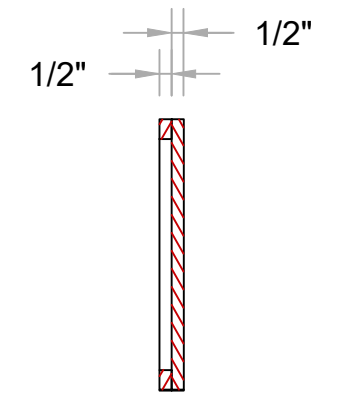


**NOTES**  
- Letters are two layers of 1/2" Sintra;  
top layer has a routed-out channel



1 FRONT  
Scale: 1-1/2" = 1'-0"



2 SECTION H-H  
Scale: 1-1/2" = 1'-0"