



Hafele 264.76.770 1/4"-20 connector bolts / nickel plated



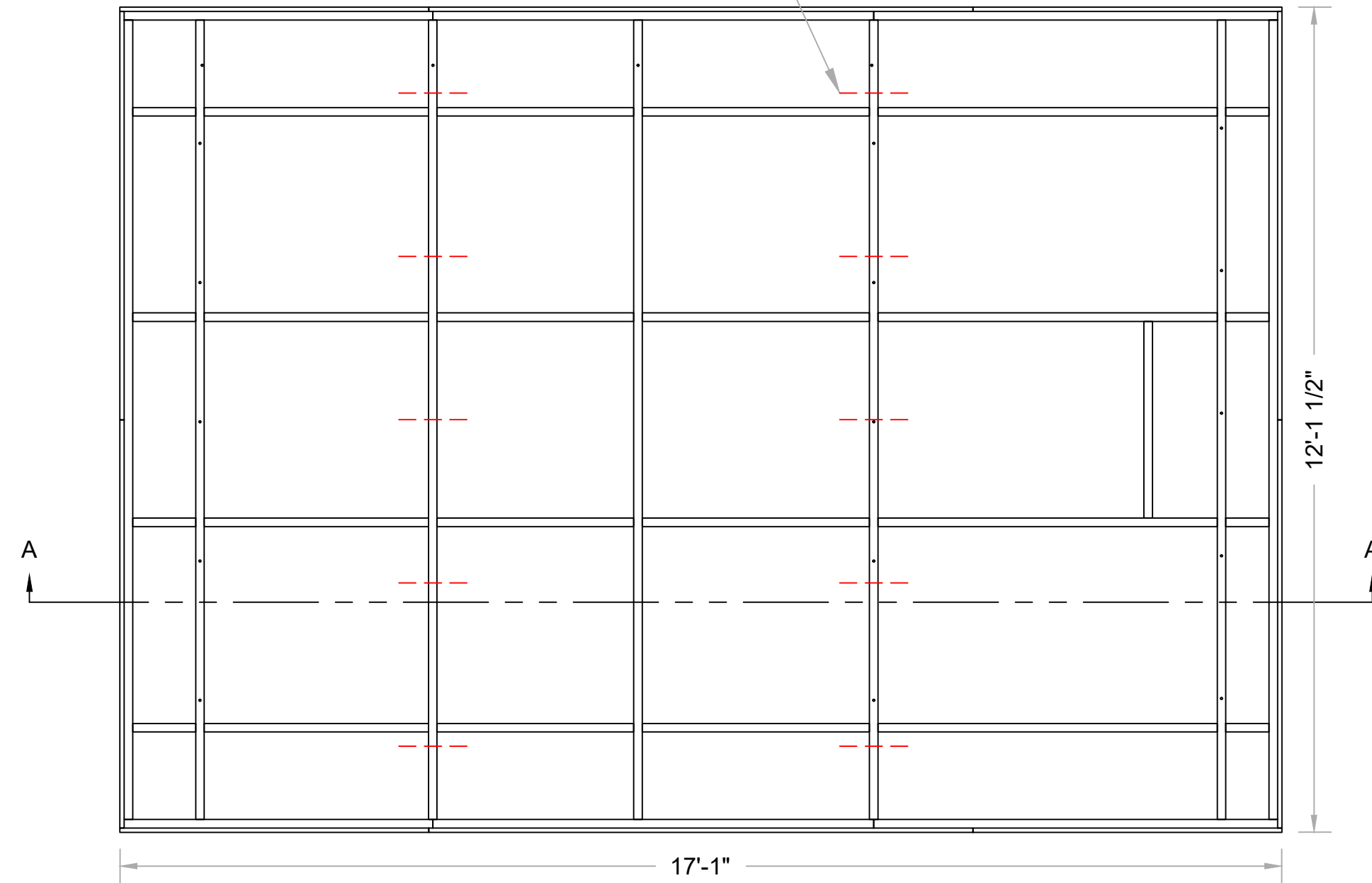
Hafele 267.10.616 1/4"-20 connector nuts / nickel plated

Fasteners between ceiling frames (see photos)

3/4" Extira with laminated finish; Lamin-Art #9215-E Carbon Black Laminate / Vellum Finish; attachment is TBD

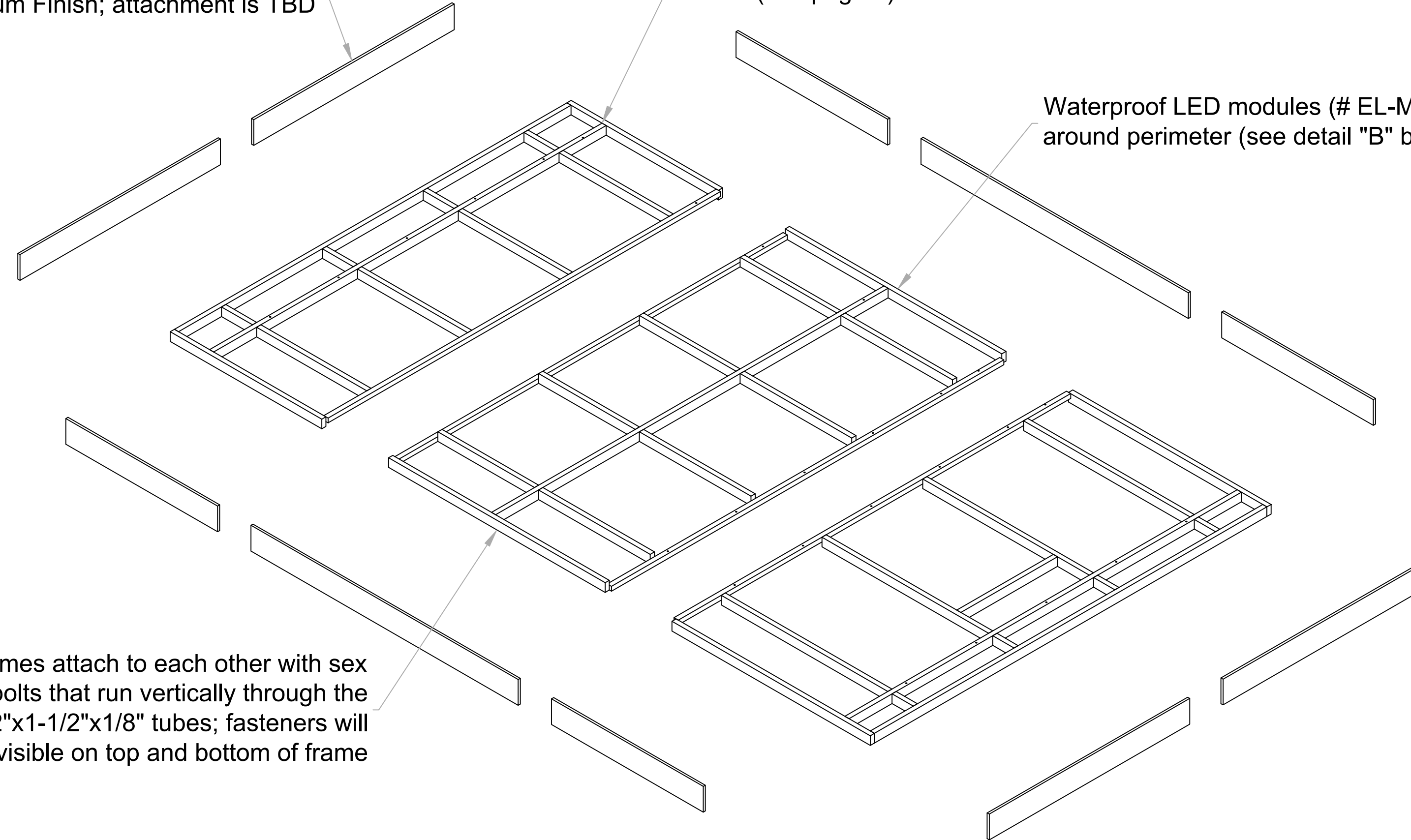
Aluminum frames consist of 1-1/2"x3"x1/8" tube and 1-1/2"x1-1/2"x1/8" tube; all aluminum is powder coated white (see page 4)

Waterproof LED modules (# EL-M2835-3-DW) around perimeter (see detail "B" below)

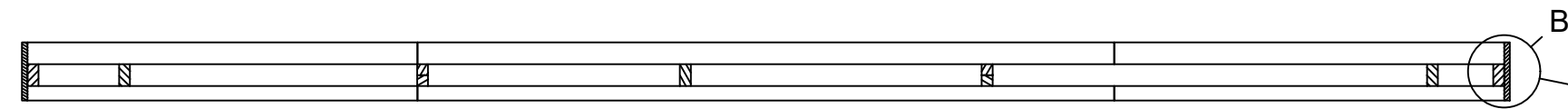


1 TOP Scale: 1/2" = 1'-0"

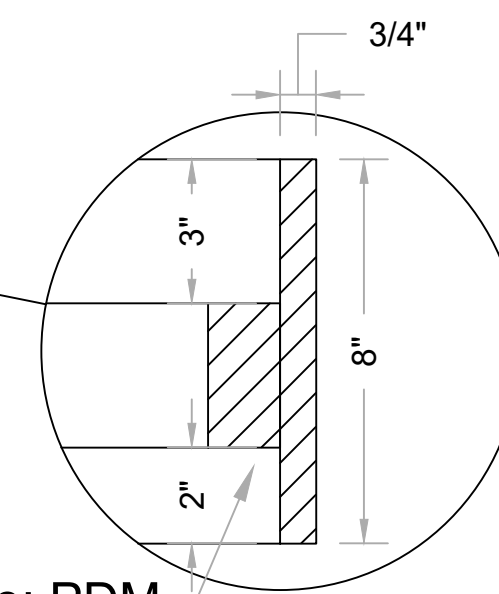
Frames attach to each other with sex bolts that run vertically through the 1-1/2"x1-1/2"x1/8" tubes; fasteners will be visible on top and bottom of frame



5 SEPARATED ISO Scale: NTS

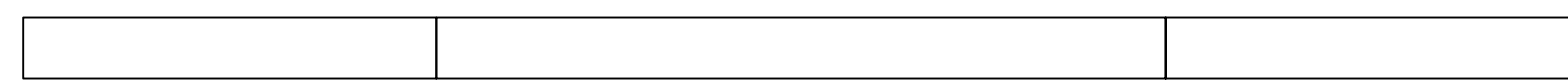


2 SECTION A-A SCALE 1/2" = 1'-0"

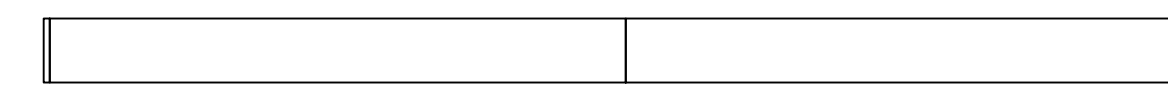


LED tape installs here; PDM detail to follow during fabrication

DETAIL B SCALE 3" = 1'-0"



3 FRONT Scale: 1/2" = 1'-0"



4 RIGHT Scale: 1/2" = 1'-0"