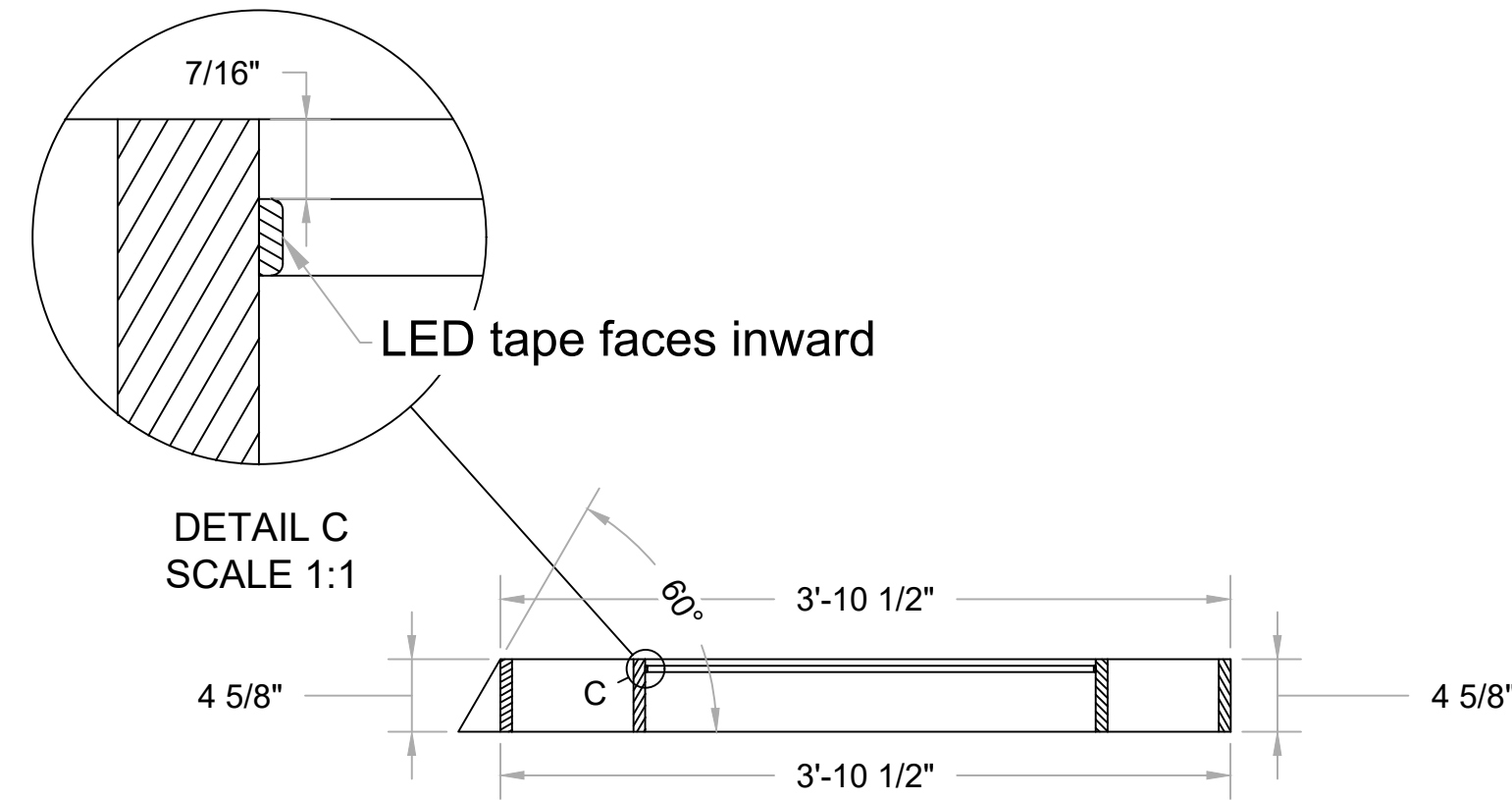


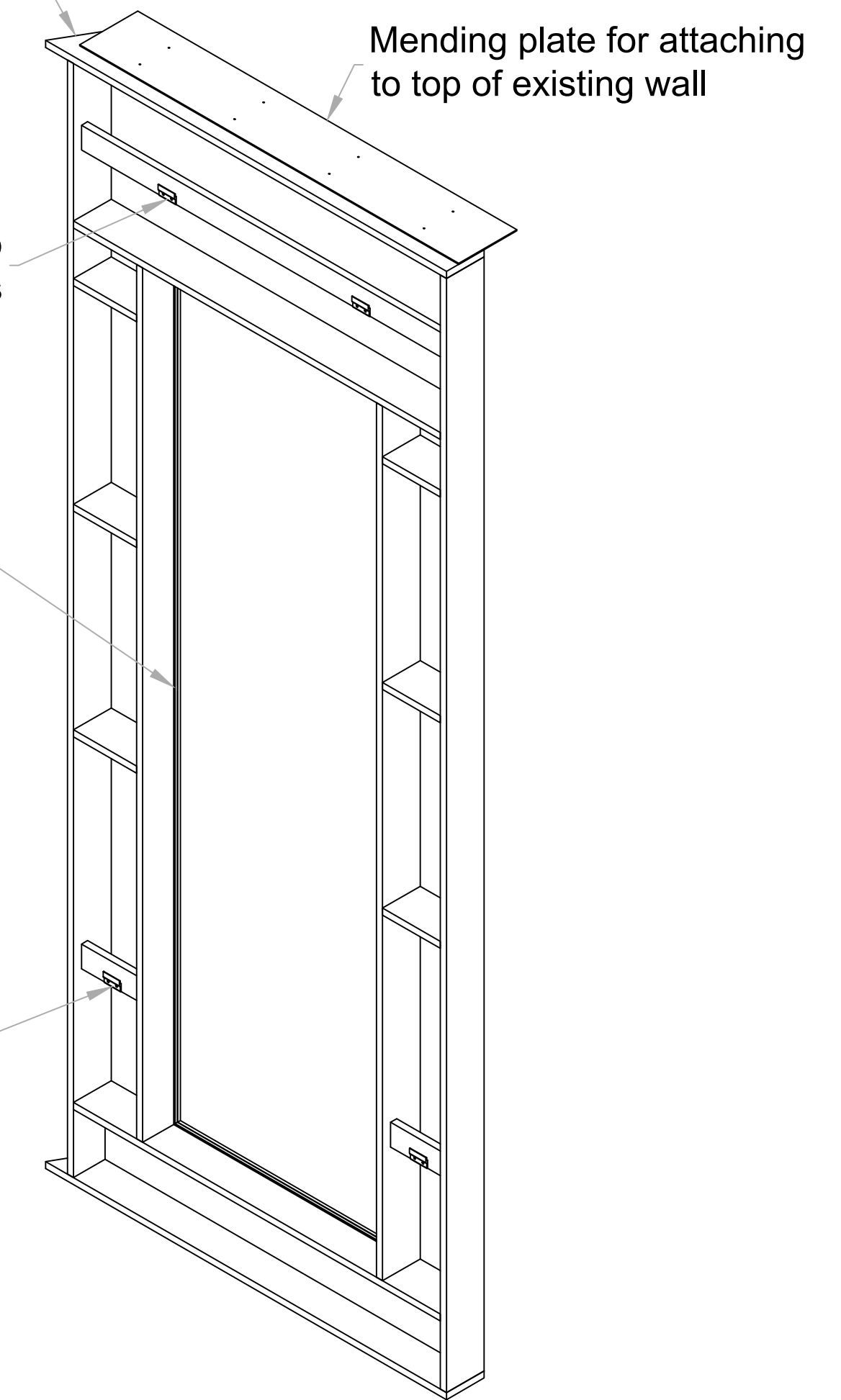
1 TOP
Scale: 1" = 1'-0"



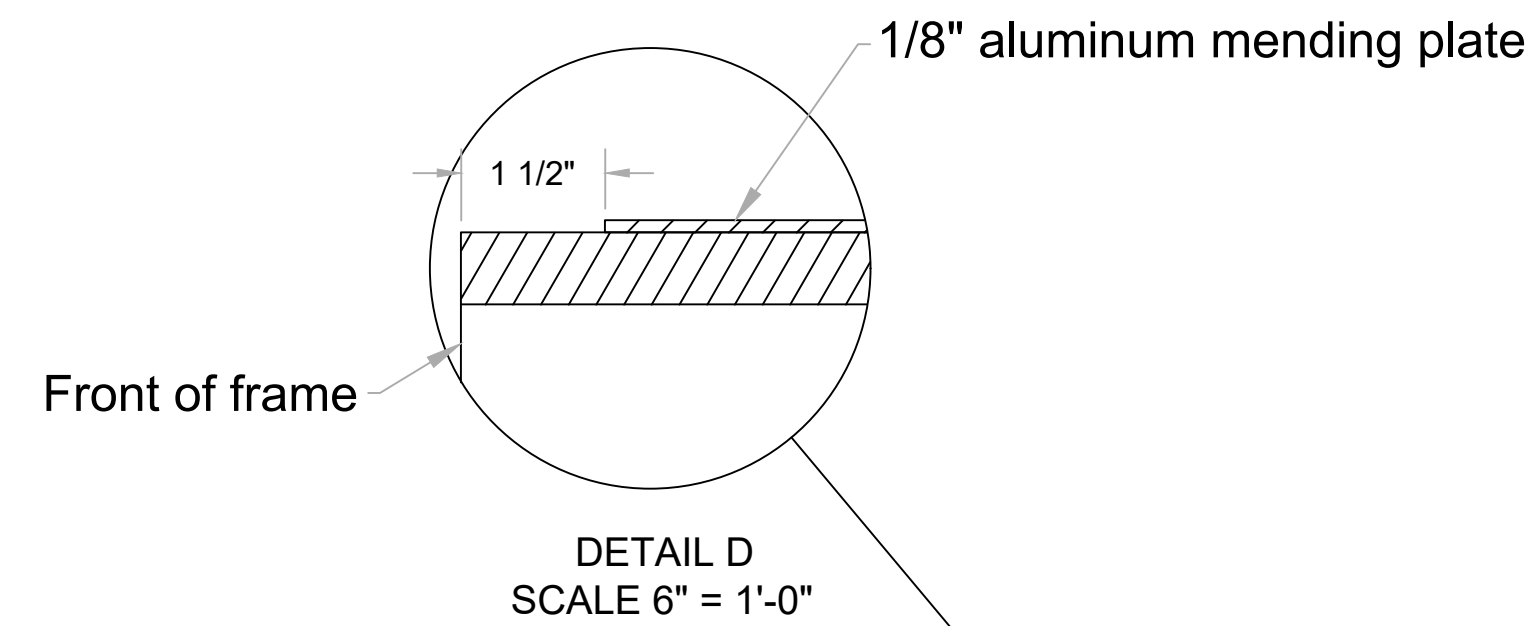
2 SECTION A-A
SCALE 1" = 1'-0"

**PANEL 4
PANEL DETAIL PT1**

Frame is 3/4" plywood construction

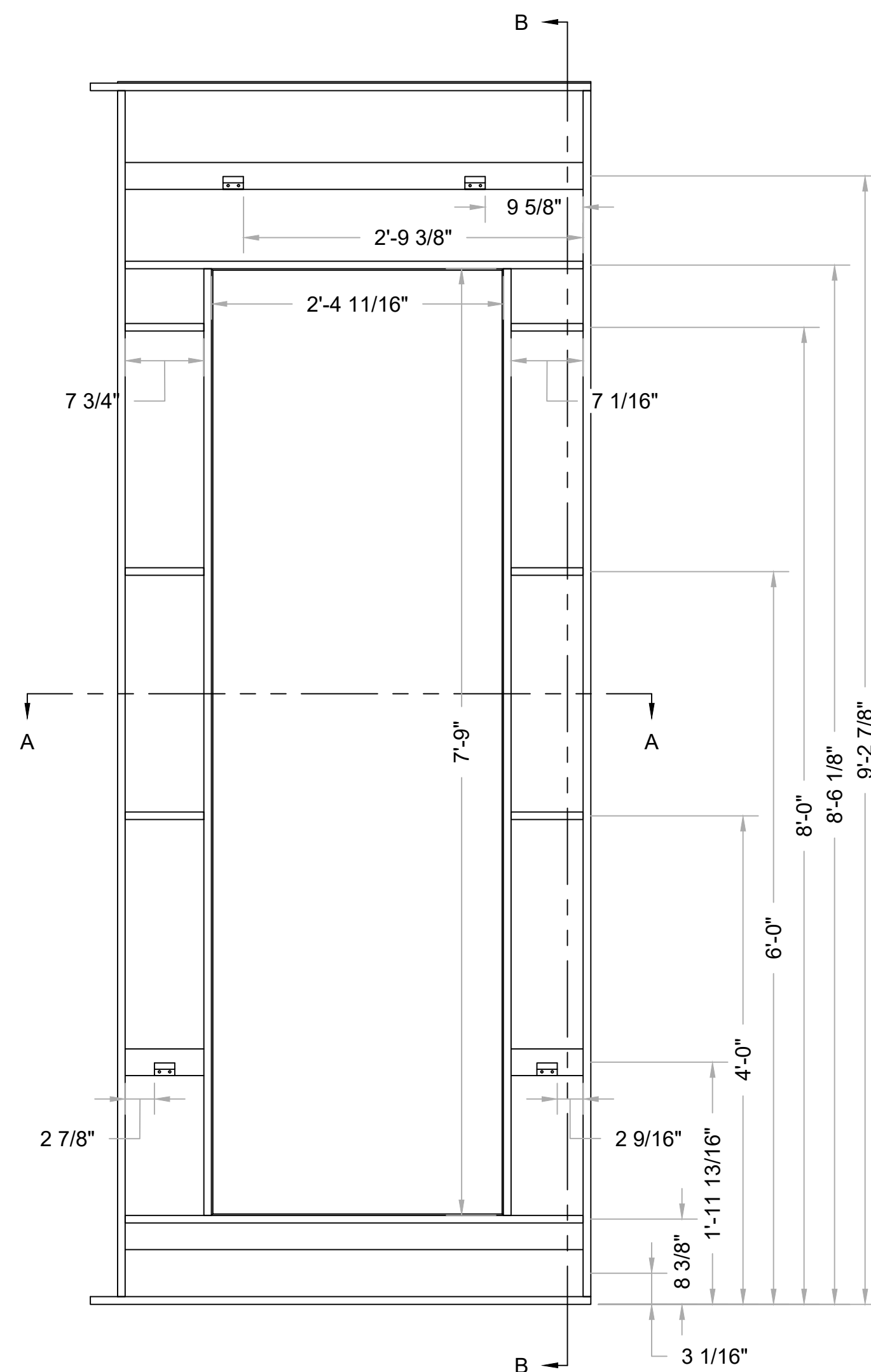


5 FRONT ISO
Scale: NTS



DETAIL D
SCALE 6" = 1'-0"

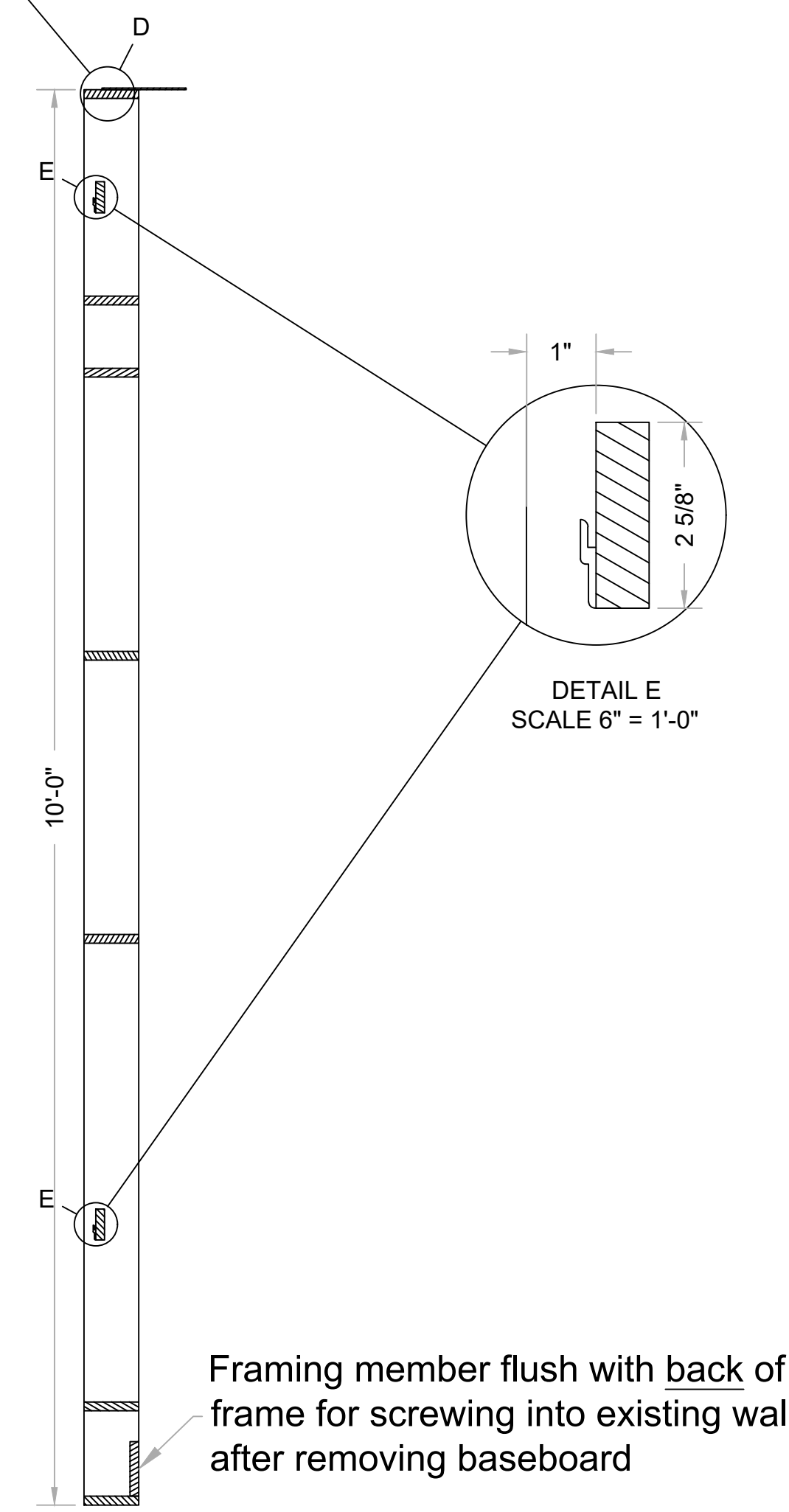
DETAIL E
SCALE 6" = 1'-0"



3 FRONT
Scale: 1" = 1'-0"

ATTENTION!!! Dimensions taken from bottom of wall to mid-points of framing members

4 SECTION B-B
SCALE 1" = 1'-0"



- Notes:
- LED TAPE LIGHT SPECS (X 4 REQUIRED)
 - Input : 12V DC
 - Output : 828 Lumens per Foot
 - Color Temperature : 5000K Cool White
 - Power Requirements : 5.6 Watts per Foot
 - Strip Width : 10 mm)
 - LEDs : 360 per 10 foot roll
 - Certification : UL-Listed
 - Part Number : L2012V-502-1030-U
 - LED DRIVER SPECS (X 1 REQUIRED)
 - Input : 120V AC
 - Output : 12V DC, 300 Watts (25 Amps)
 - Dimensions : 89 x 249 x 107mm (3-1/2 x 9-7/8 x 4-3/16 inches)
 - Part Number : PWR-12V-300-30-D
 - WIRE/CONNECTOR SPECS
 - TYPE 1
 - 5.5 x 2.1 mm DC (positive tip)
 - Wire Gauge : 26 AWG
 - Part Number : CDC-M00-4PKUND
 - TYPE 2
 - 5.5 x 2.1 mm DC (positive tip)
 - Wire Gauge : 26 AWG
 - Part Number : CDC-F00-4PK