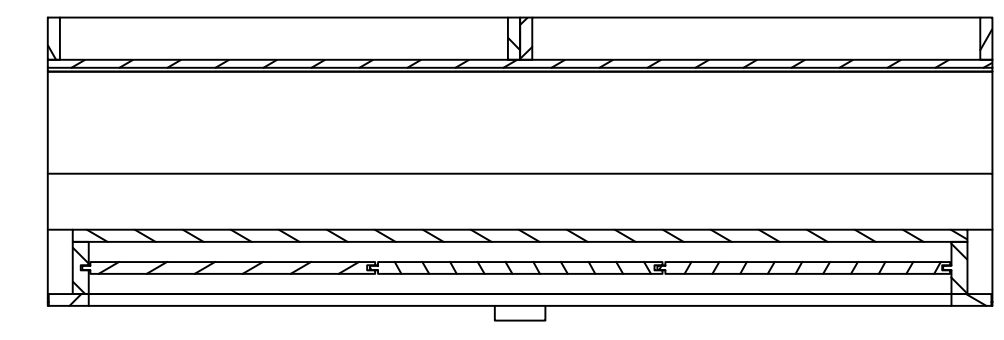
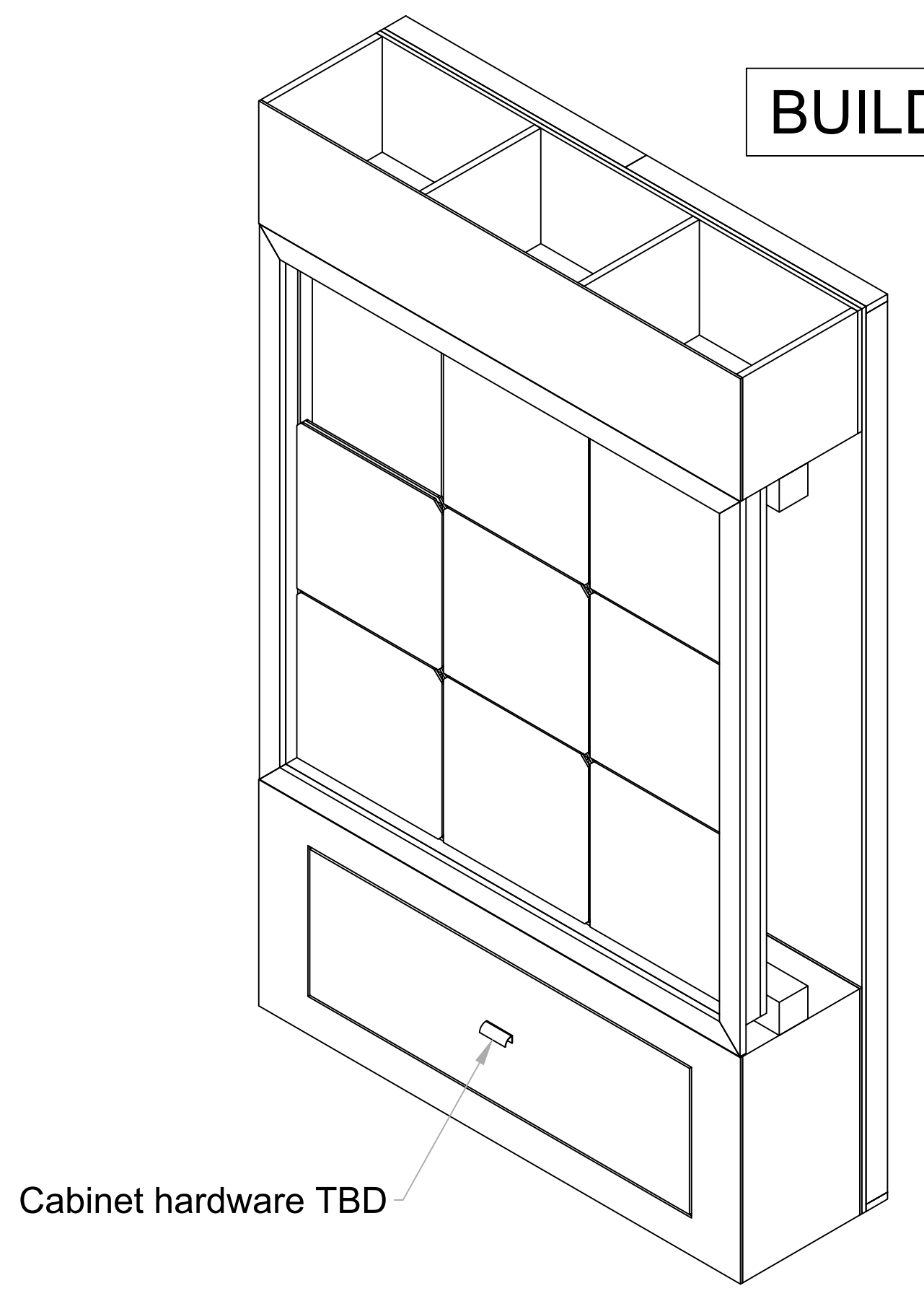


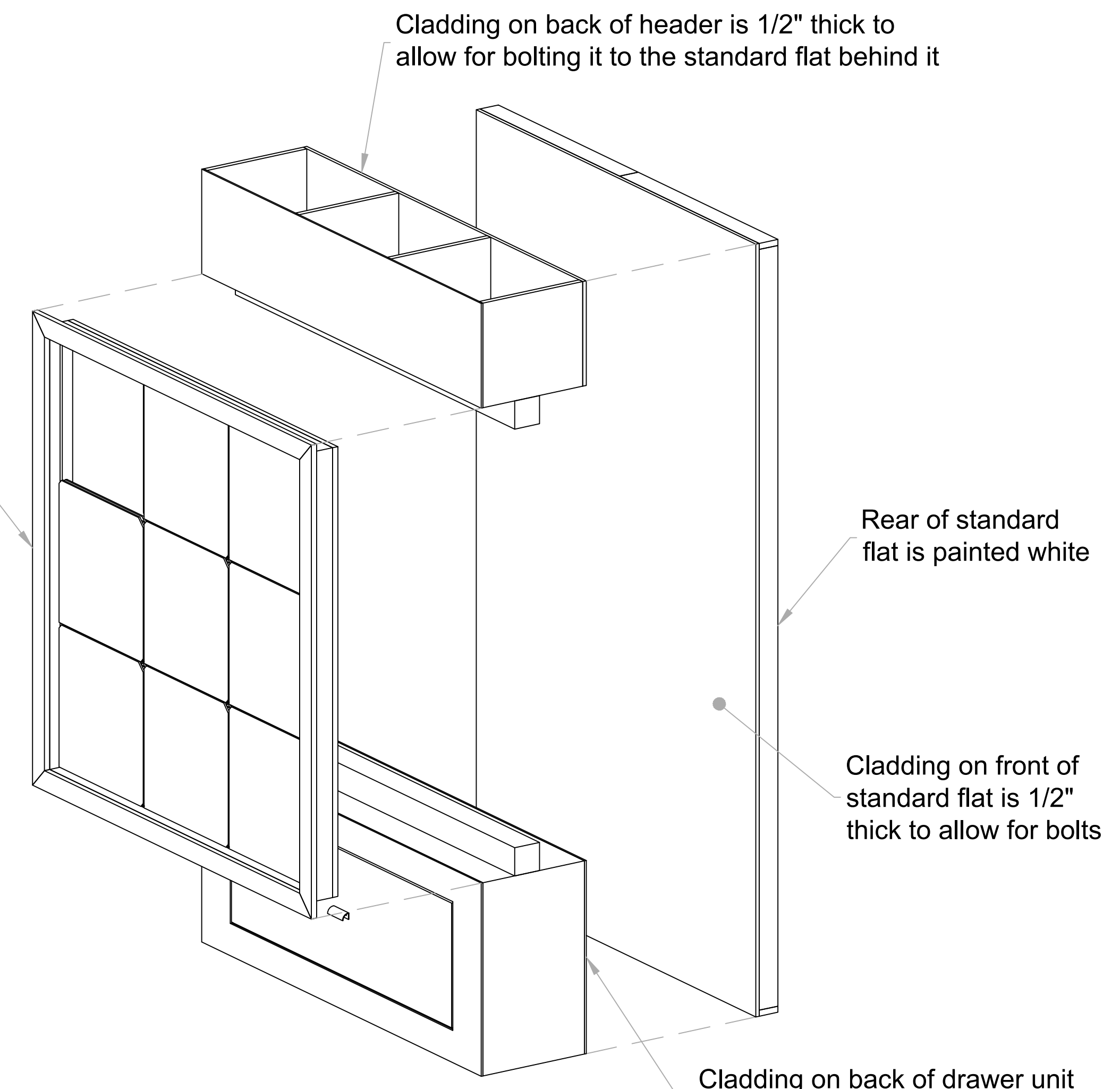
BUILD 3



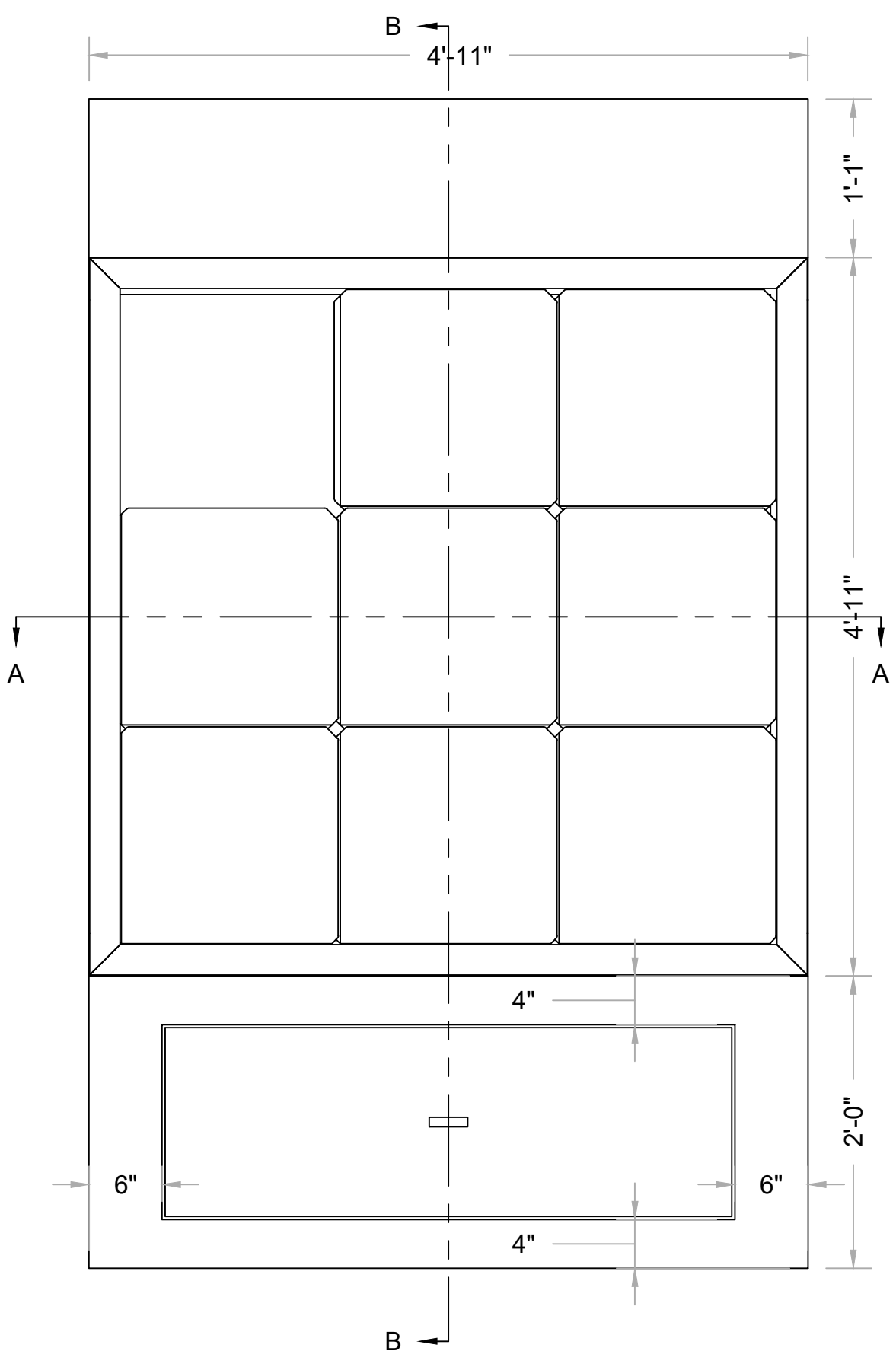
1 SECTION A-A
SCALE 1" = 1'-0"



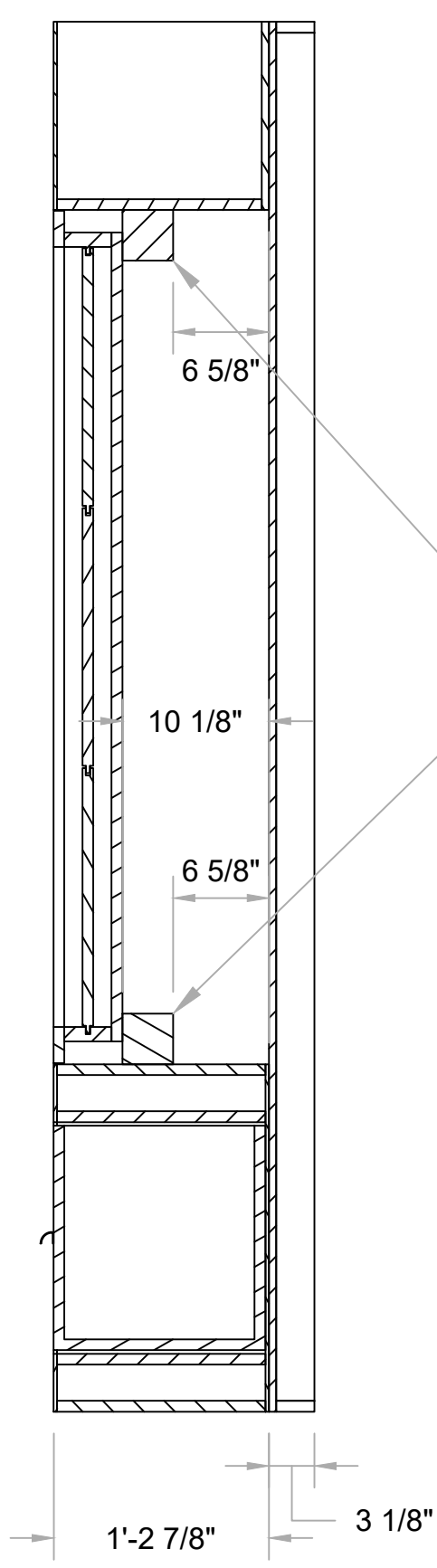
4 FRONT ISO
Scale: NTS



5 SEPARATED FRONT ISO VIEW
Scale: NTS



2 FRONT
Scale: 1" = 1'-0"



3 SECTION B-B
SCALE 1" = 1'-0"

For puzzle pieces, see page 3;
for puzzle frame, see page 4

Cabinet hardware TBD

Cladding on back of header is 1/2" thick to
allow for bolting it to the standard flat behind it

Rear of standard
flat is painted white

Cladding on front of
standard flat is 1/2"
thick to allow for bolts

Cladding on back of drawer unit
is 1/2" thick to allow for bolting
it to the standard flat behind it

4x4 pine attaches to bottom of
header and top of drawer unit