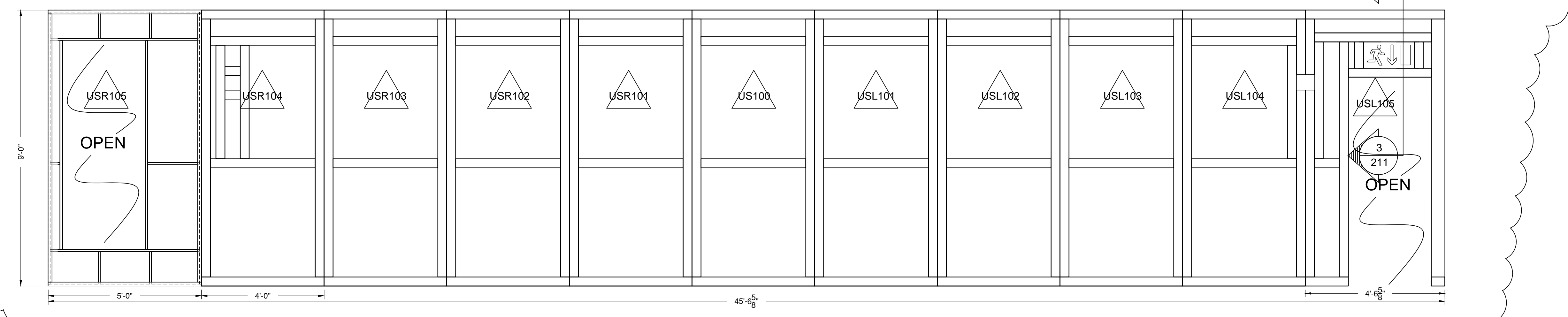
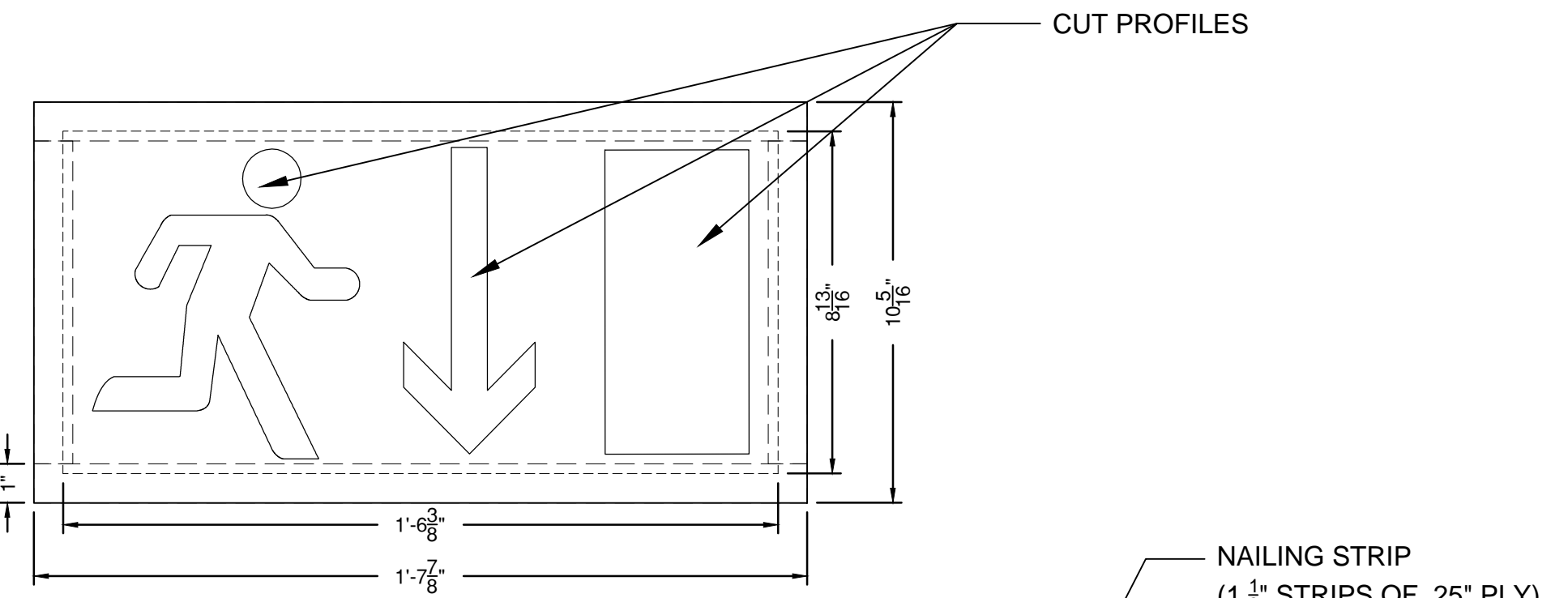


1 UPSTAGE GALLERY WALLS - TOP ELEVATION 1/2" = 1'-0"

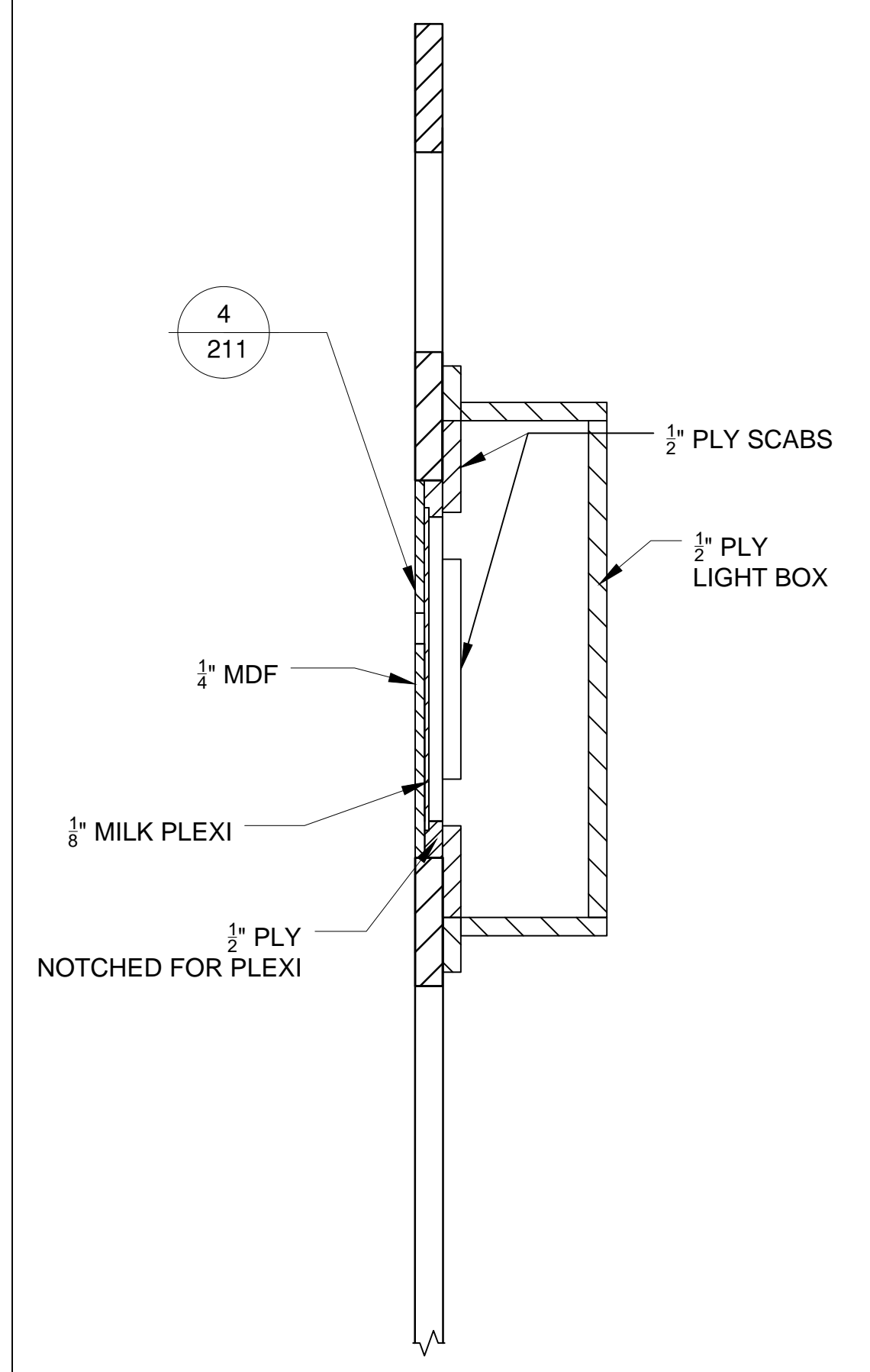


2 UPSTAGE GALLERY WALLS - FRONT ELEVATION 1/2" = 1'-0"
BUILD 10 FLATS - 9 BROADWAY STYLE AND 1 HOLLYWOOD STYLE
ALL WALLS BUILT WITH 1X4
BROADWAY FLATS BUILT WITH CORNERBLOCKS AND KEYSTONES INSET 3/4" FROM EDGES
GLUE ALL JOINTS
LOAD IN - FLATS ATTACH TO EACH OTHER WITH PLYWOOD SCABS

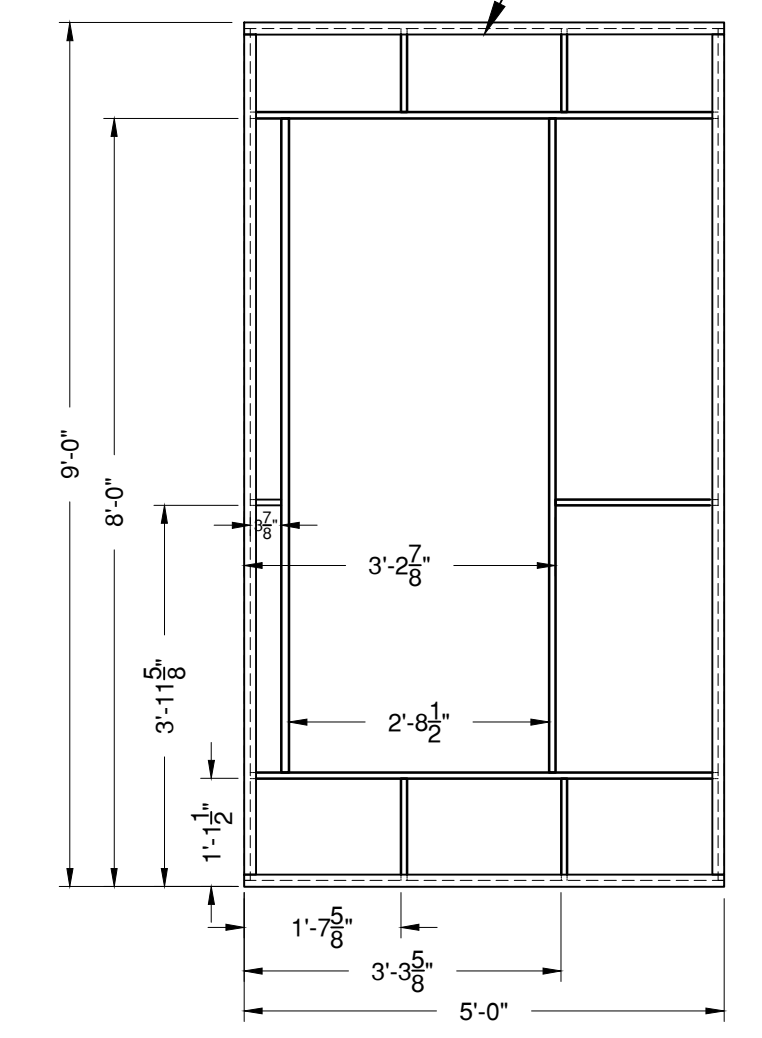
ADJUSTED FOR FIRE ALARM SYSTEM
SEE PLATE: 005/212



4 EXIT SIGN INSERT - FRONT VIEW 3" = 1'-0"
MUST BE INSTALLED BEFORE APPLYING MUSLIN
SEE 3/210 FOR MORE DETAILS

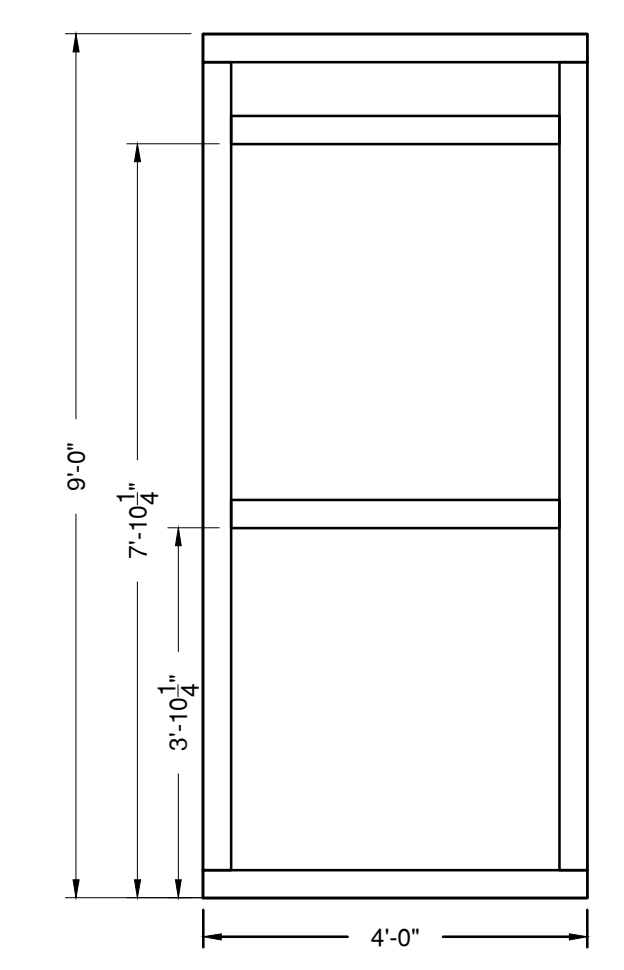


3 SECTION VIEW OF USL105 3" = 1'-0"
SEE 8/210 FOR DETAILS

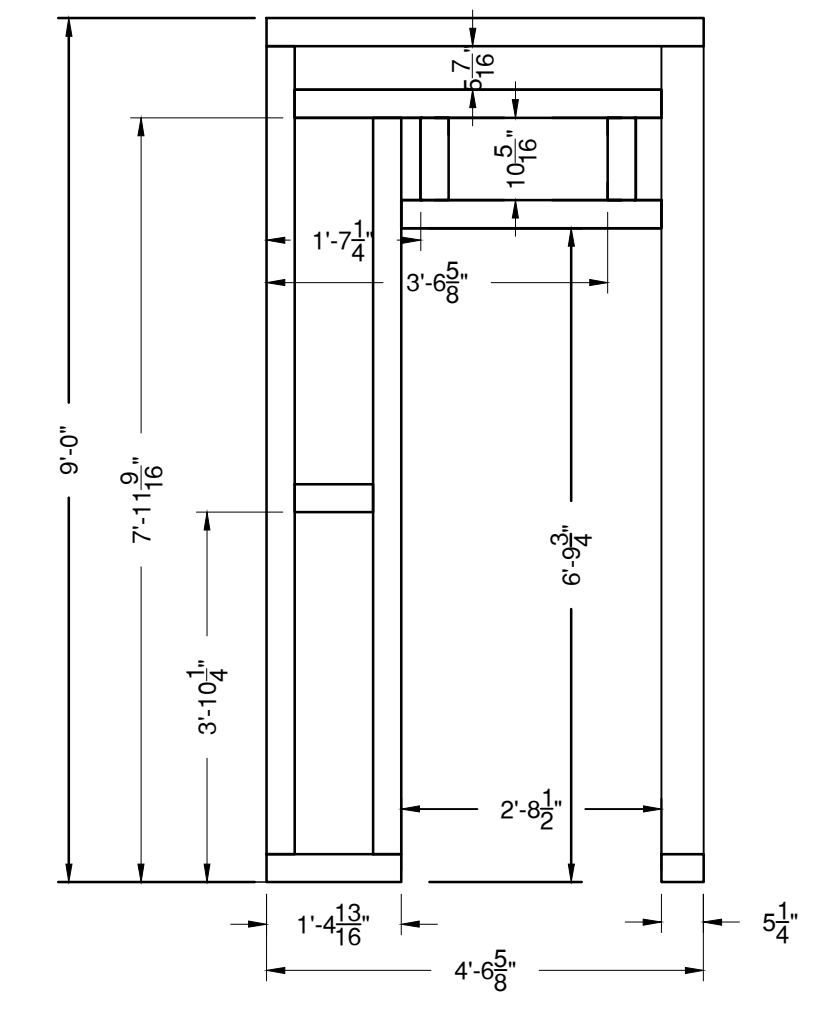


5 WALL USR105 - FRONT ELEVATION 1/2" = 1'-0"
BUILD 1
ATTACH NAILING STRIPS WITH BRADS
COVER WITH MUSLIN

6 SIDE VIEW OF USR105 1/2" = 1'-0"



7 WALLS USR104-USL101, US100, USL101-USL104 FRONT ELEVATION 1/2" = 1'-0"
BUILD 9 TOTAL



8 WALL USL105 - FRONT ELEVATION 1/2" = 1'-0"
BUILD ONE
ATTACH TEMPORARY BRACE TO REAR OF FRAME
AFTER ATTACHING MUSLIN

THE VISIT
TOP SKYWALLS - UPSTAGE

DIRECTOR: COLE LEWIS
DESIGNER: CHIKA SHIMIZU
TD: CHRISTINA KERYCZYNSKYJ
DWG DATE: 09/09/2013
REV DATE: -

210

DESIGN REF SHEET #
005-211

DWG BY: ELISE MASUR
SCALE: AS SHOWN

10 BROADWAY FLATS AND 1 HOLLYWOOD FLAT BUILT OF 1X4 AND COVERED WITH MUSLIN. THEY ATTACH TO THE I-BEAMS OVERHEAD VIA BAY PIPES. DETAIL NOT SHOWN.
FILENAME: G:\Productions\School Shows\YSD1 The Visit\Scenery\01-Drafting\210-Top SkyWall\210-Top SkyWall US.dwg