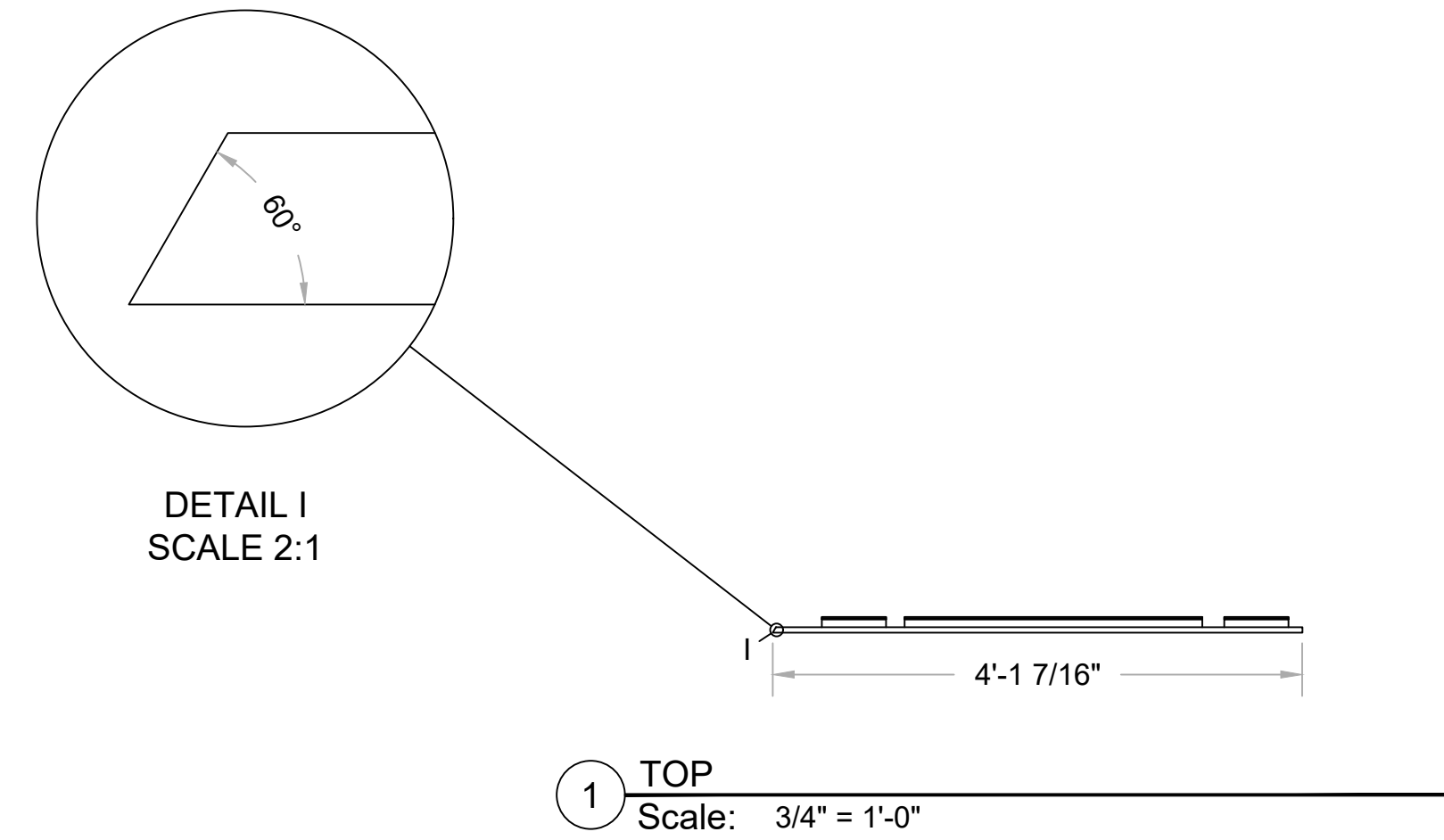


**PANEL 4  
PANEL DETAIL PT3**

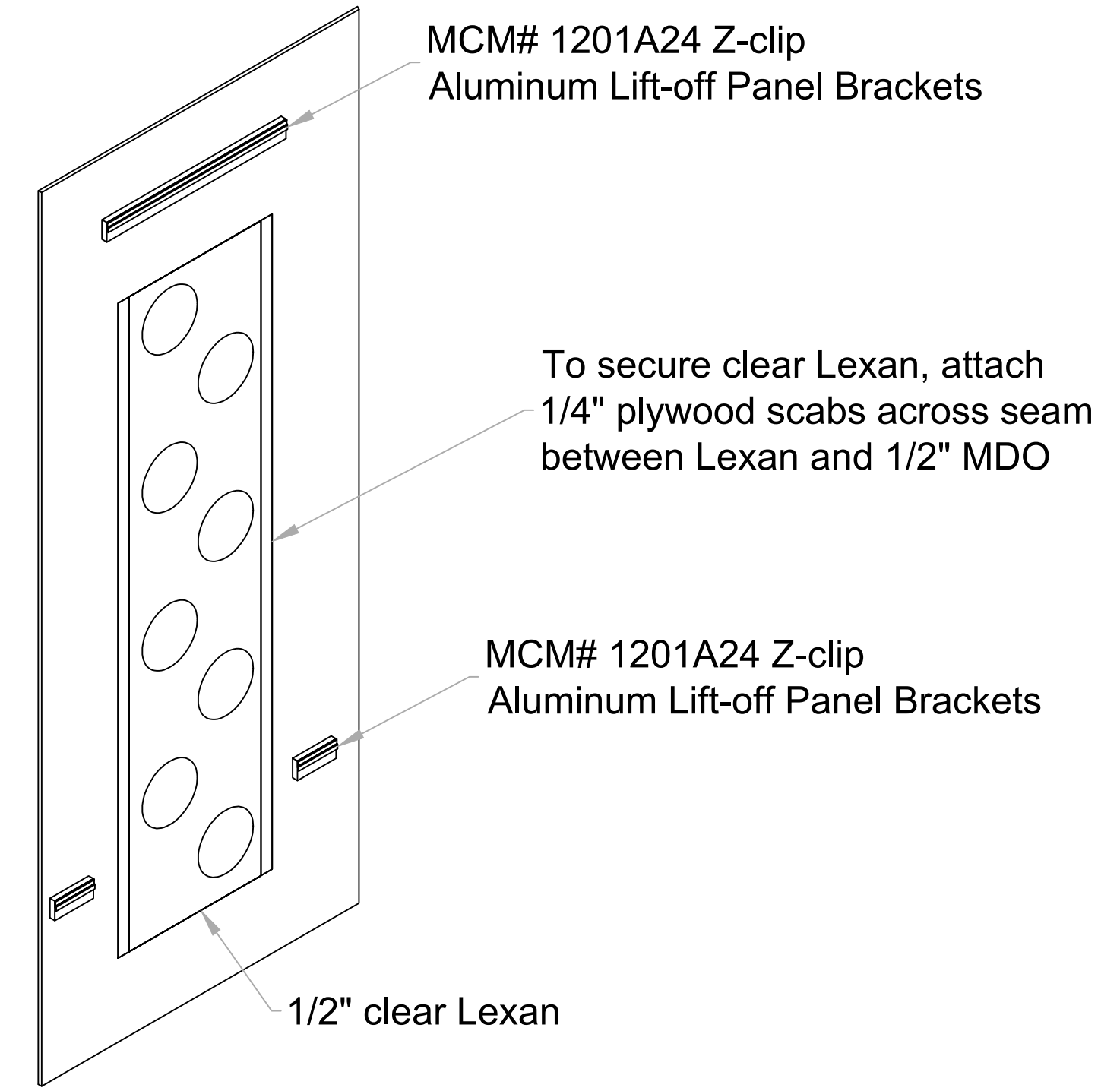


Skin is combination of 1/2" MDO and 1/2" clear Lexan; Formica 909-58 Black laminated finish on face; printed vinyl overlay graphics to be applied on-site; Skin is removable for access to LED tape

Circles are only cut out of Formica 909-58 Black laminate and printed vinyl

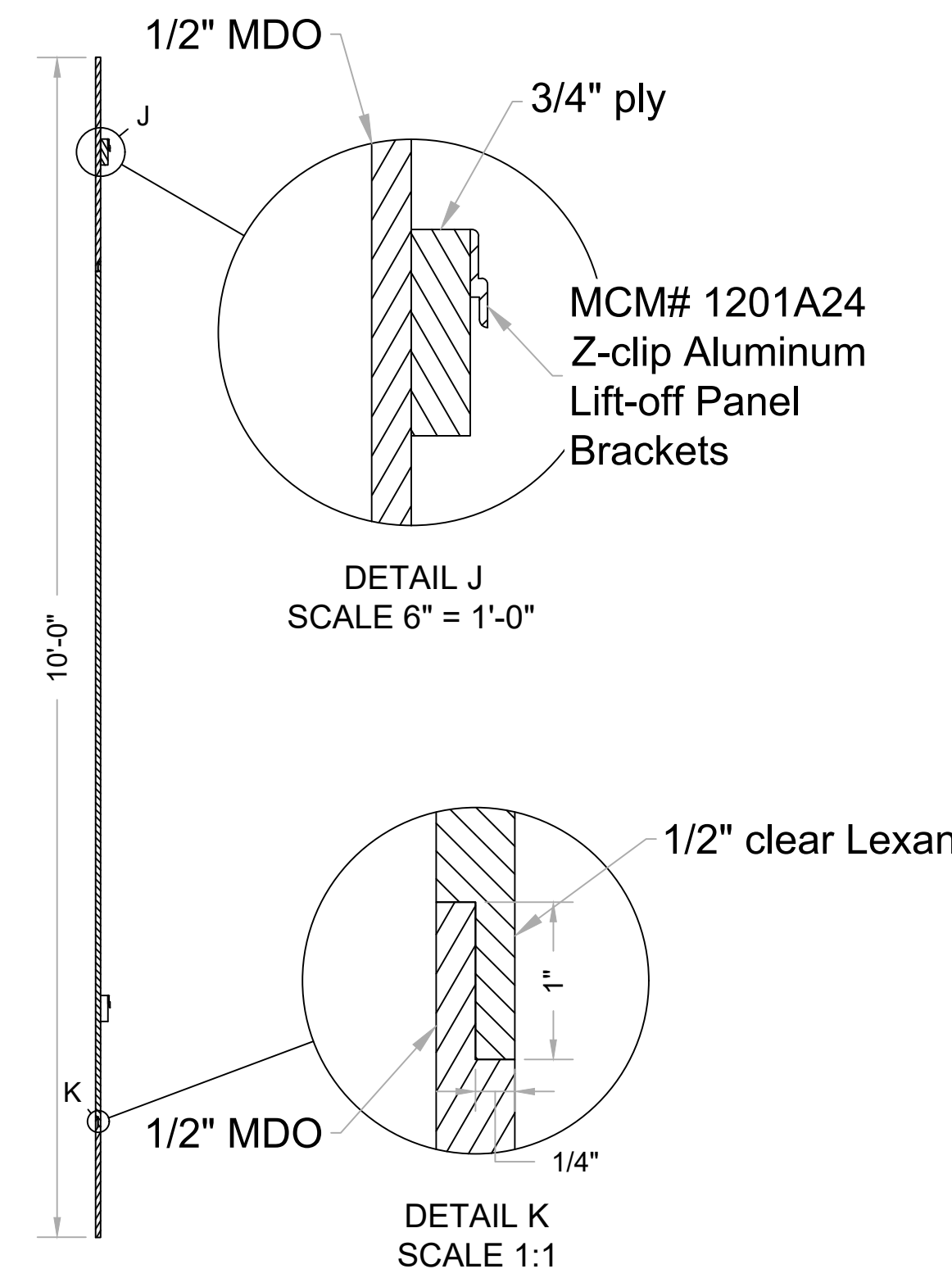
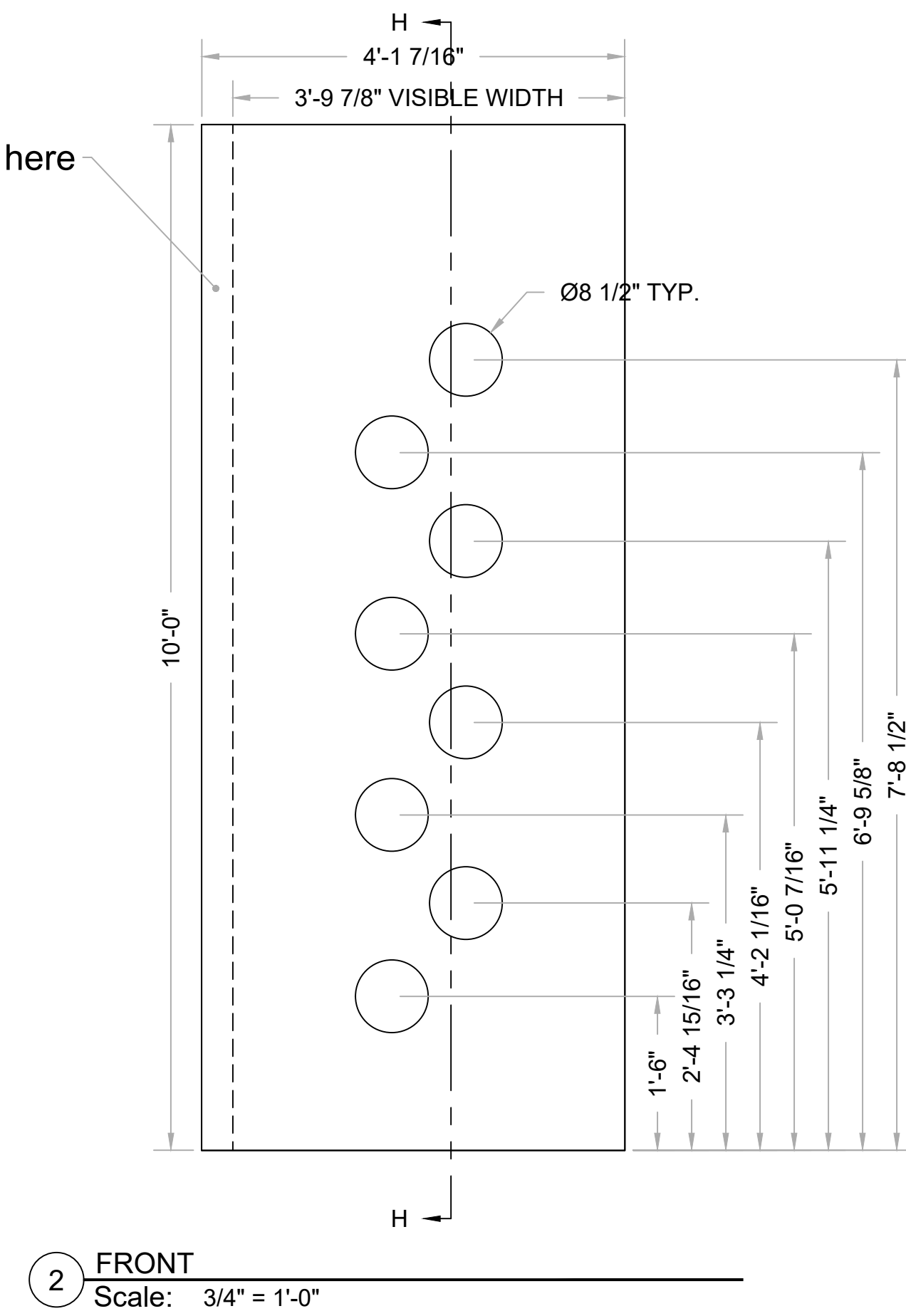
CNC PROFILE IS IN SHOW FOLDER

5 FRONT ISO  
Scale: NTS



6 REAR ISO  
Scale: NTS

Panel 3 butts into Panel 4 here



3 SECTION H-H  
SCALE 3/4" = 1'-0"

