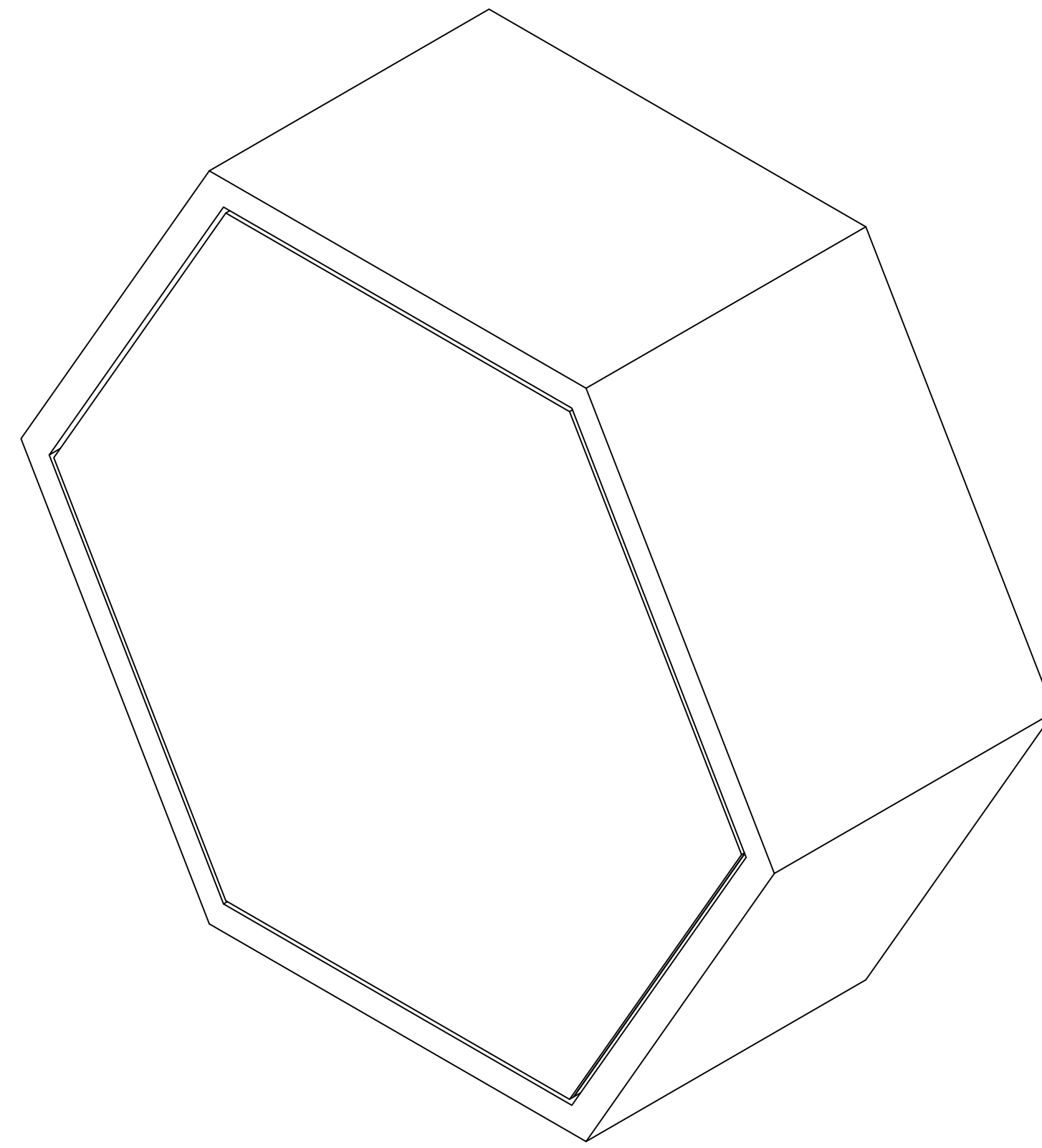


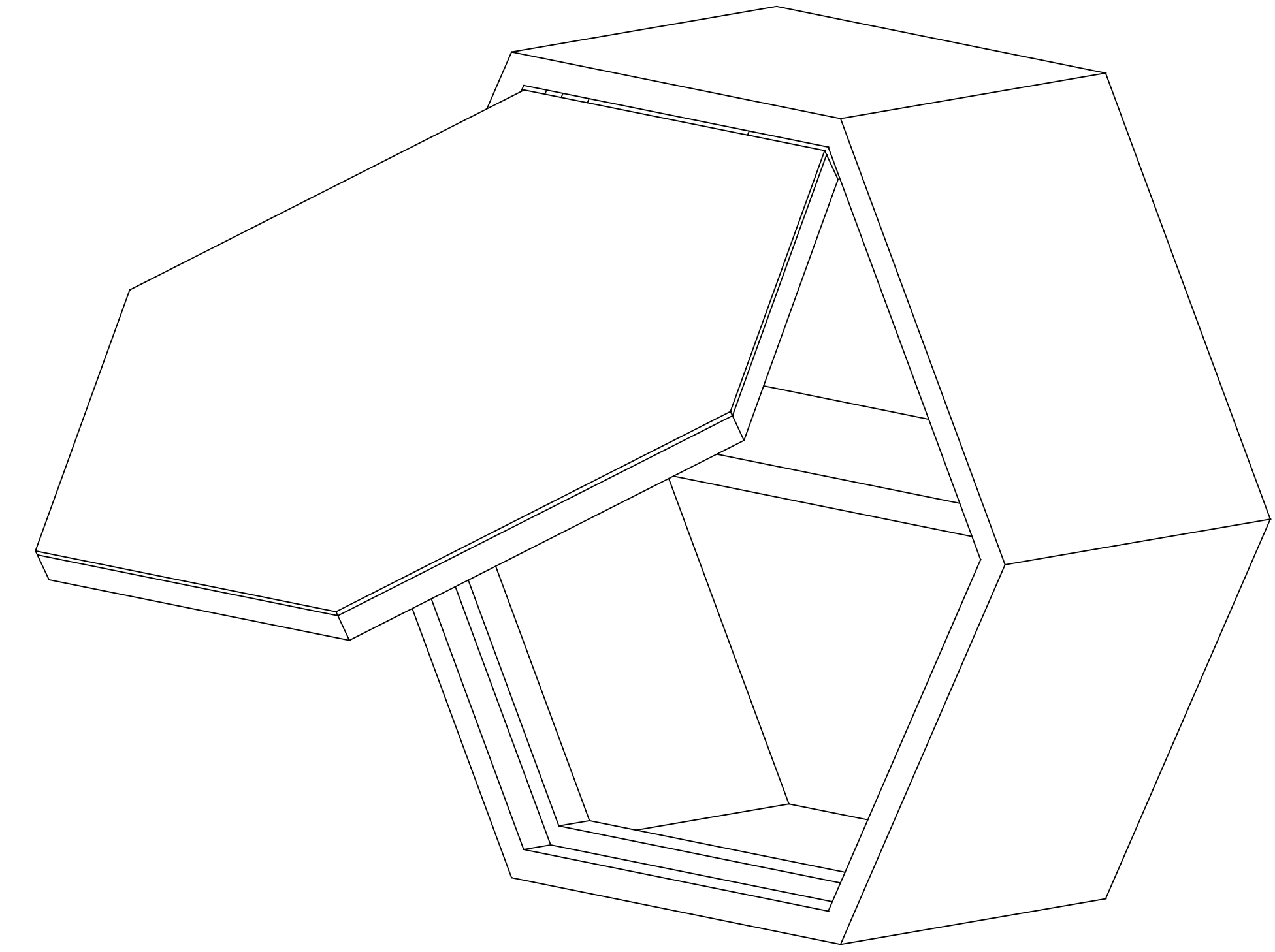
1 TOP
Scale: 4" = 1'-0"

CNC profile is in project folder

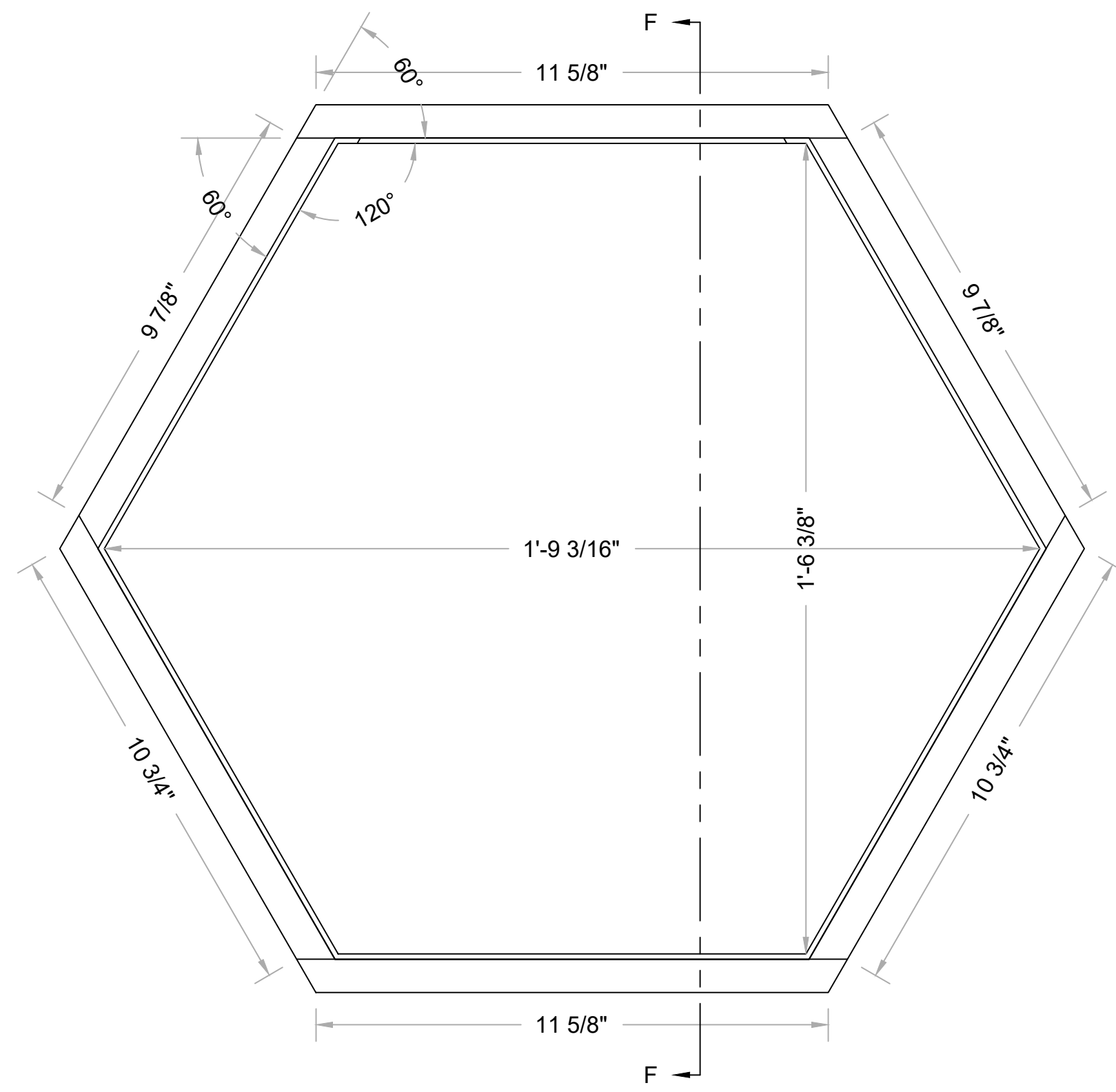
Unit is undersized by 1/16" on all sides to fit in openings in wall.



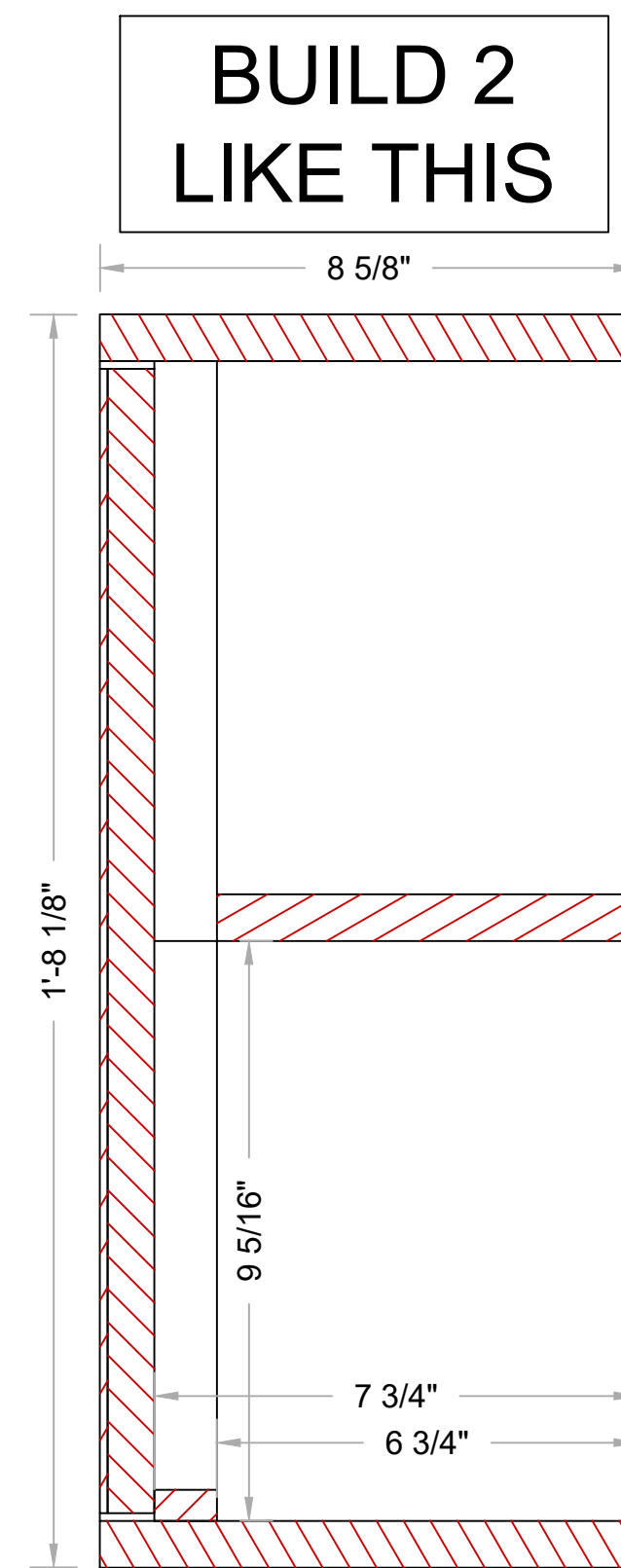
5 FRONT ISO - UNIT CLOSED
Scale: NTS



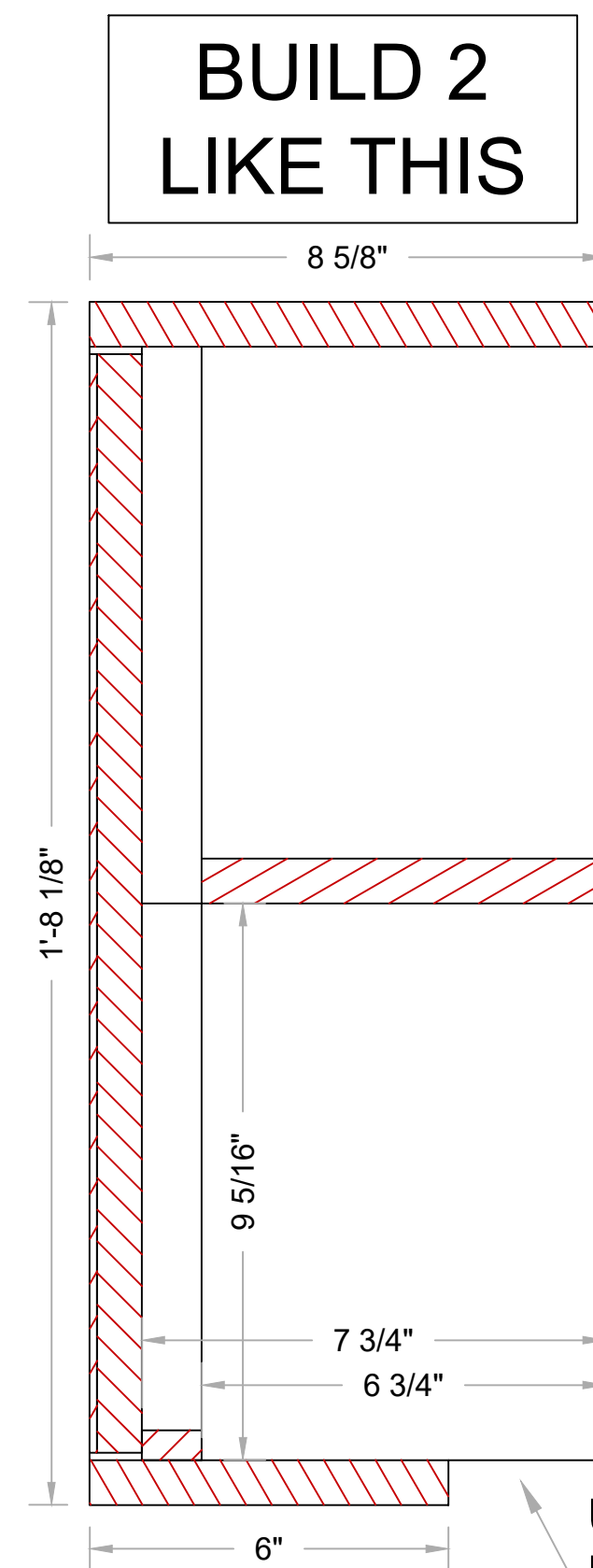
6 FRONT ISO - UNIT OPEN
Scale: NTS



2 FRONT
Scale: 4" = 1'-0"



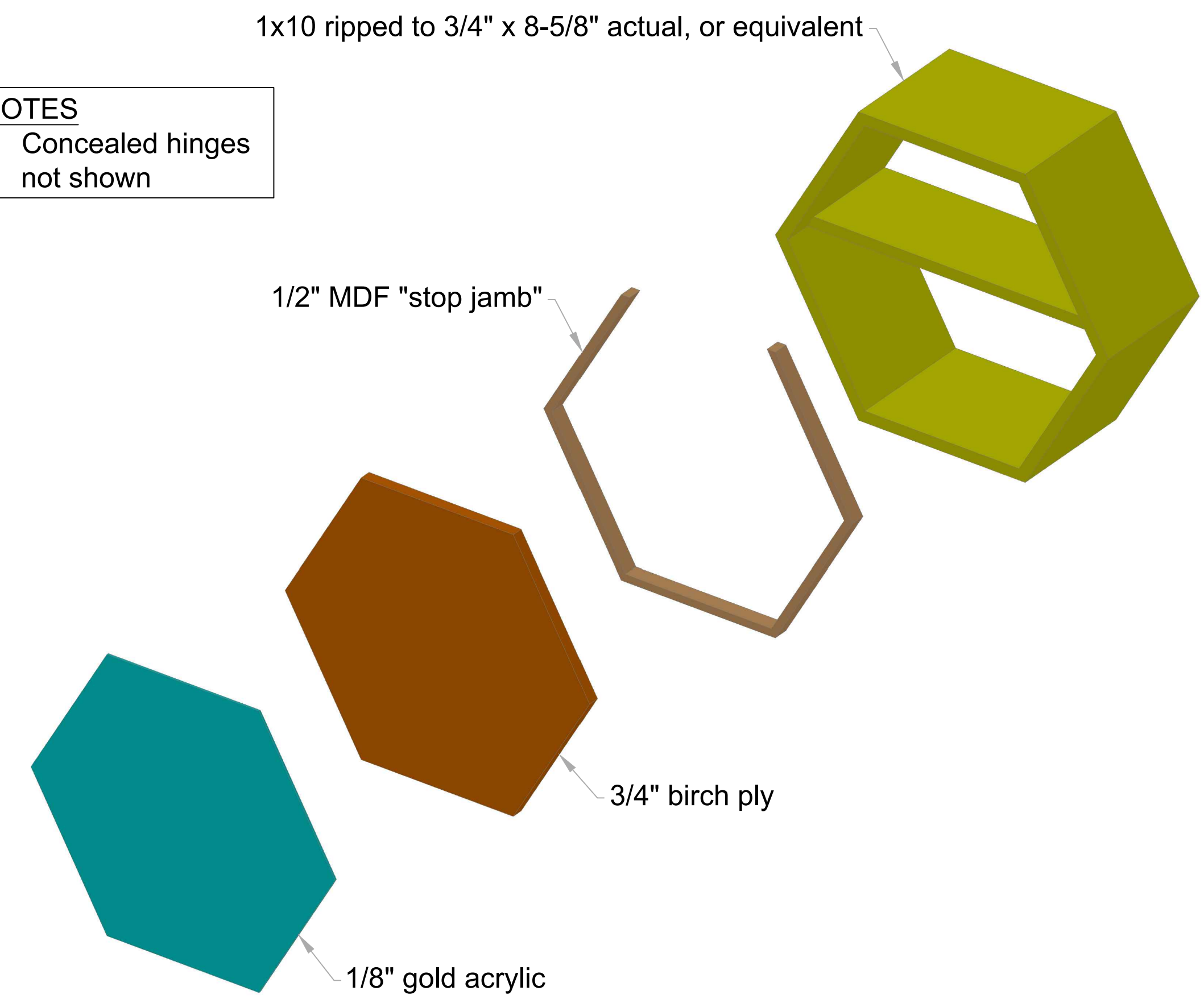
3 SECTION F-F
Scale: 4" = 1'-0"



3 SECTION F-F ALTERNATE
Scale: 4" = 1'-0"

Unit fits around bottom framing member of wall

NOTES
- Concealed hinges not shown



7 STORAGE CABINET - SEPARATED ISO VIEW
Scale: NTS