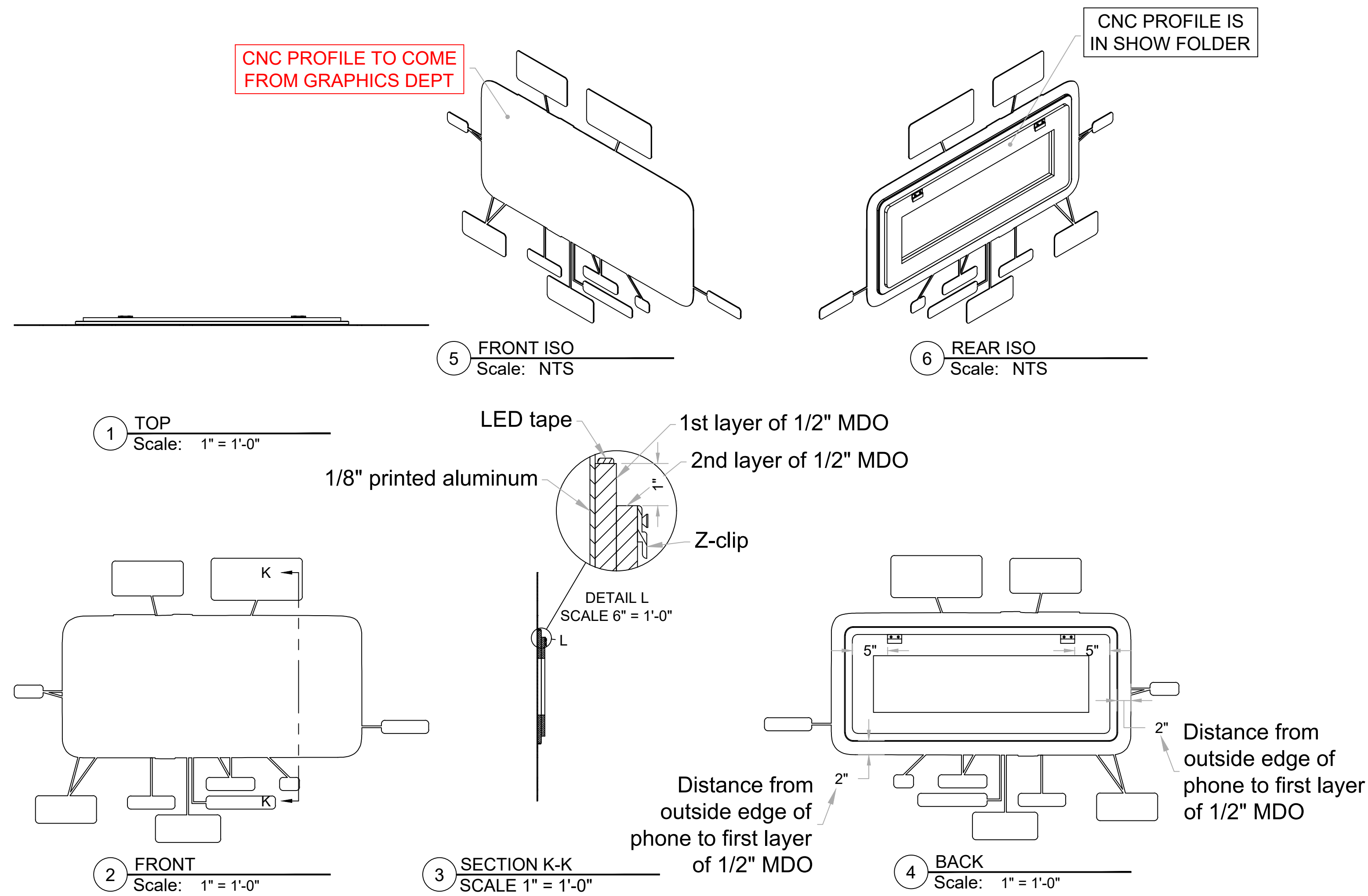


## PANEL 2 CELL PHONE OVERLAYS

### GRAPHIC FINISH: INTERIOR OF CELL PHONE



**LED LIGHT TAPE SPEC**

- WWW.HITLIGHTS.COM
- Input : 12V DC
- Output : 384 Lumens per Foot
- Color Temperature : 5000K Cool White
- Power Requirements : 3.4 Watts per Foot
- Strip Width : 10 mm
- LEDs : 300 16.4 foot roll
- Certification : UL-Listed
- Part Number : L1012V-502-1630-U

**LED DRIVER SPEC (X1 REQUIRED)**

- Input : 120V AC
- Output : 12V DC, 150 Watts (12.5 Amps)
- Dimensions : 76 x 249 x 76mm (2-15/16 x 9-7/8 x 2-15/16 inches)
- Part Number : PWR-12V-150-30-D

**WIRE/CONNECTOR SPEC**

- TYPE 1
  - 5.5 x 2.1 mm DC (positive tip)
  - Wire Gauge : 26 AWG
  - Part Number : CDC-M00-4PK
- TYPE 2
  - 5.5 x 2.1 mm DC (positive tip)
  - Wire Gauge : 26 AWG
  - Part Number : CDC-F00-4PK

### GRAPHIC FINISH: EXTERIOR OF CELL PHONE

