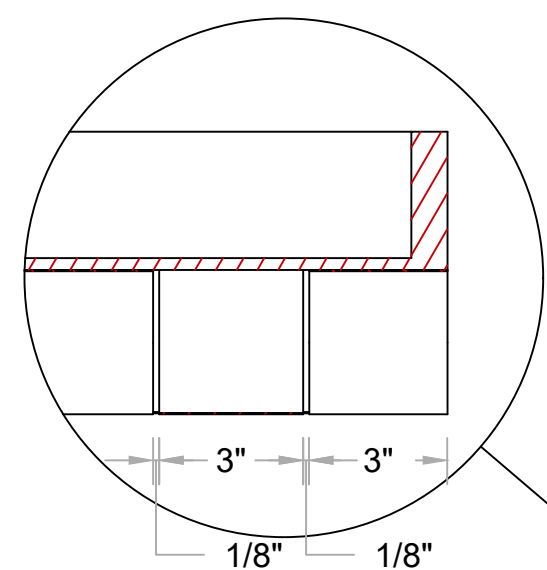
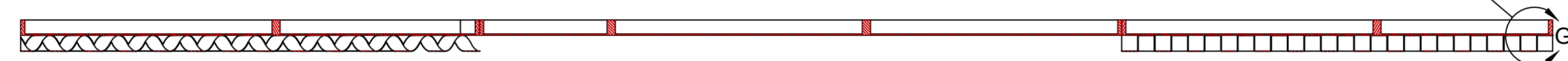


NOTES

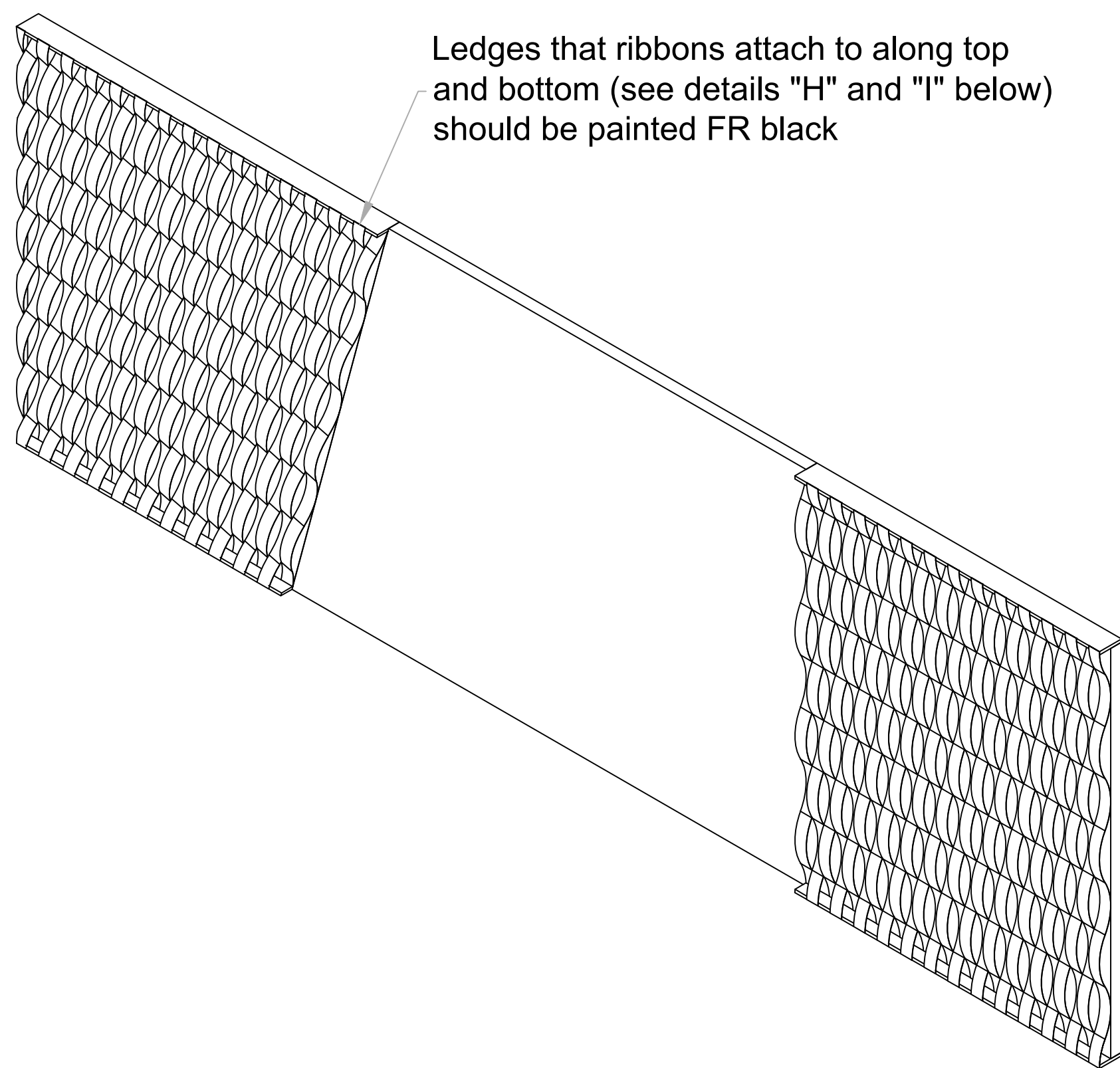
- Walls are standard flats wrapped in banner material (see page 3)
- "Ribbons" are 3" wide strips of 0.03" thick Styrene with 1/8" gaps between them



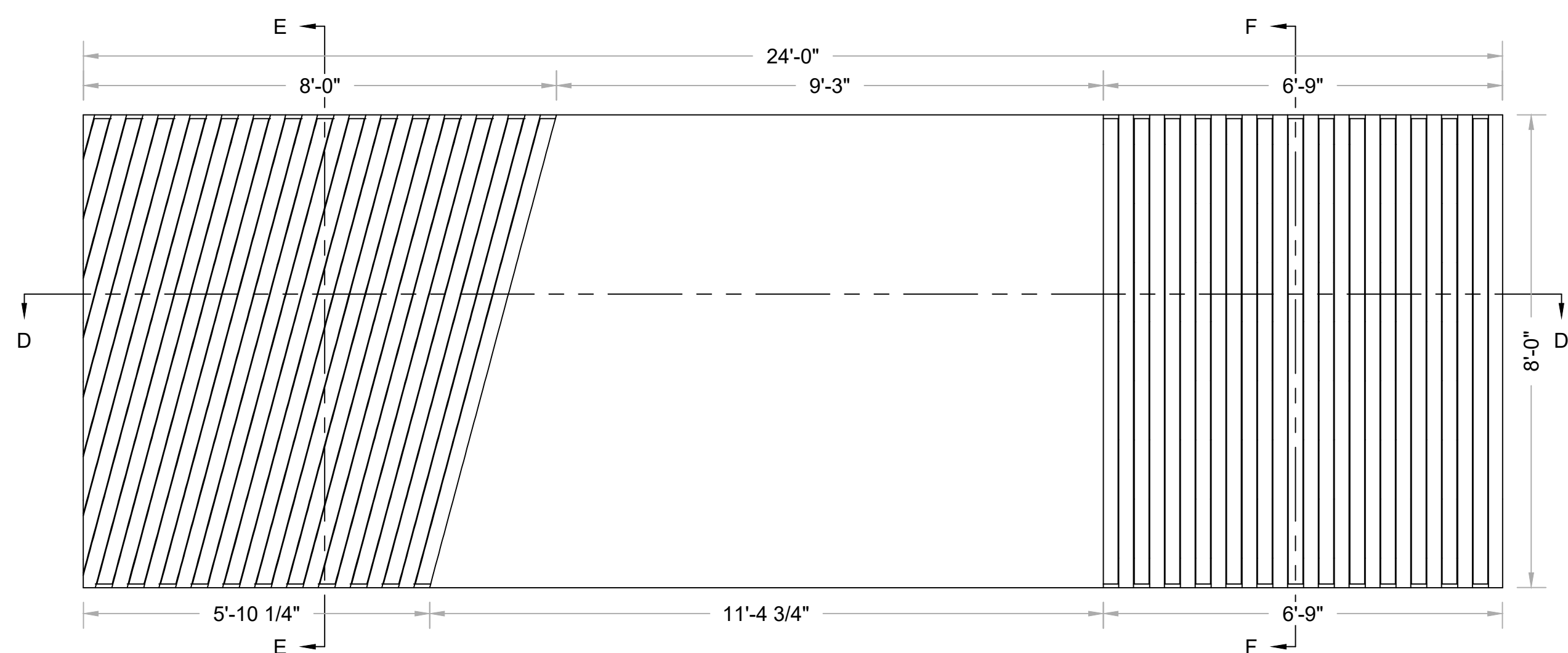
DETAIL G
SCALE 3" = 1'-0"



1 SECTION D-D
SCALE 1/2" = 1'-0"

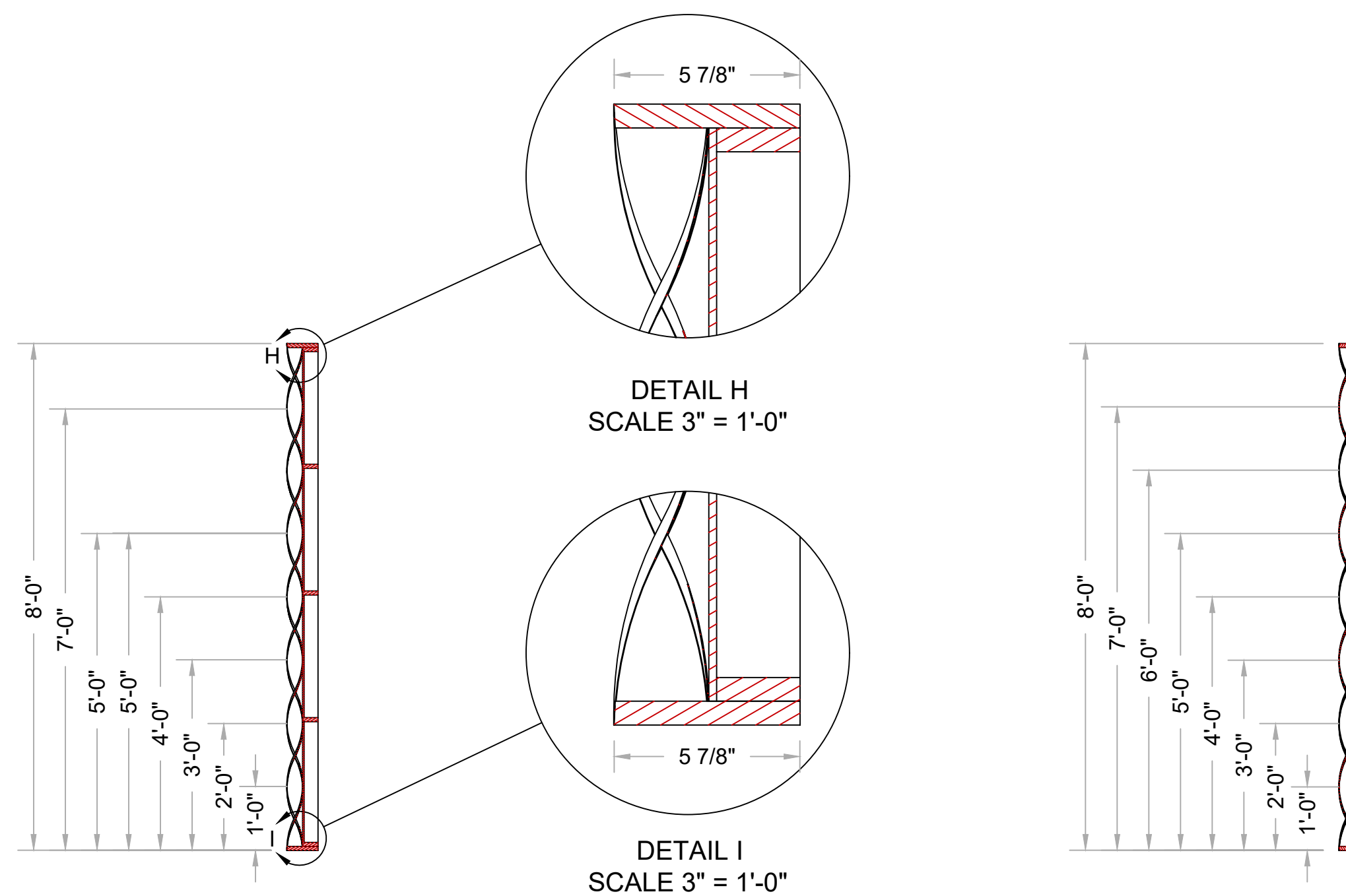


Ledges that ribbons attach to along top and bottom (see details "H" and "I" below) should be painted FR black



2 FRONT
Scale: 1/2" = 1'-0"

5 FRONT ISO
Scale: NTS



DETAIL H
SCALE 3" = 1'-0"

DETAIL I
SCALE 3" = 1'-0"

3 SECTION E-E
SCALE 1/2" = 1'-0"

4 SECTION F-F
SCALE 1/2" = 1'-0"