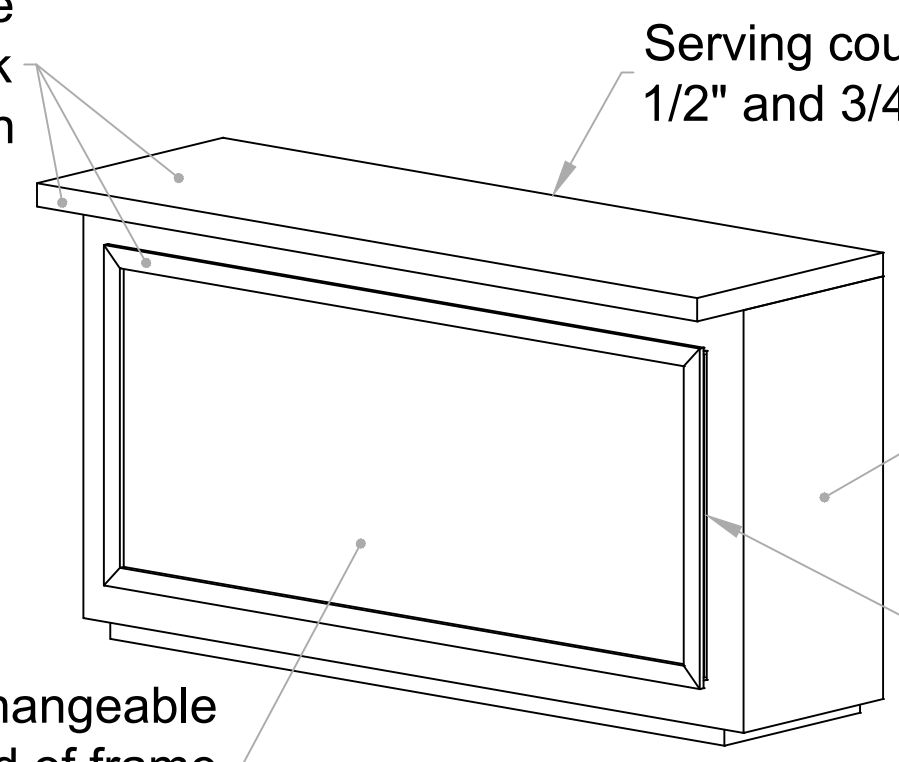


1 TOP
Scale: 1-1/2" = 1'-0"

Counter top/edge and graphic frame are Laminart #9215-E Carbon Black Laminate / Vellum Finish



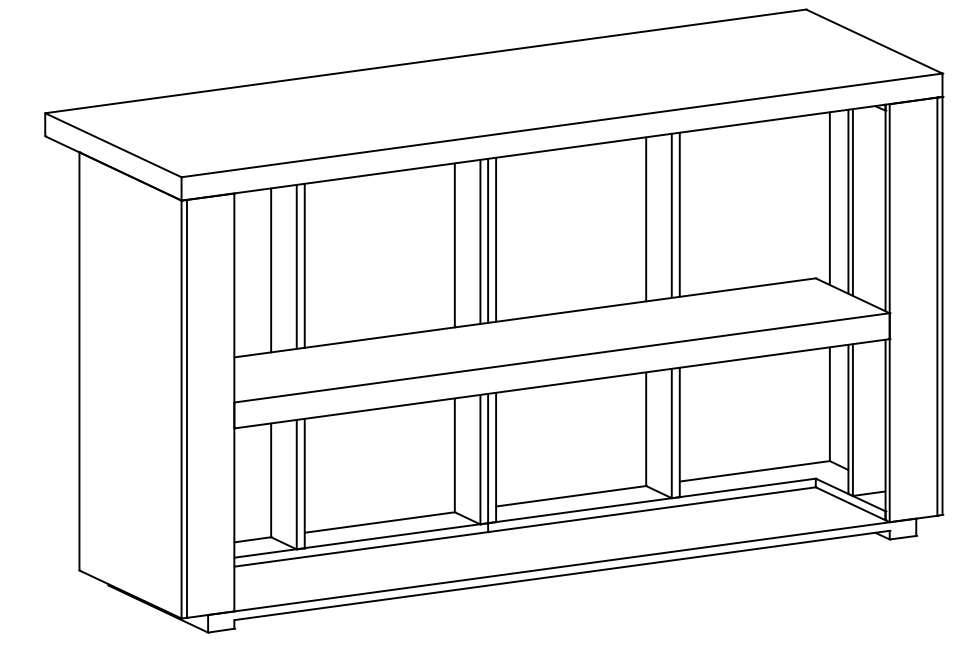
Graphic is changeable via slot in end of frame (see view 5 below)

Serving counter consists of 1/2" and 3/4" MDO

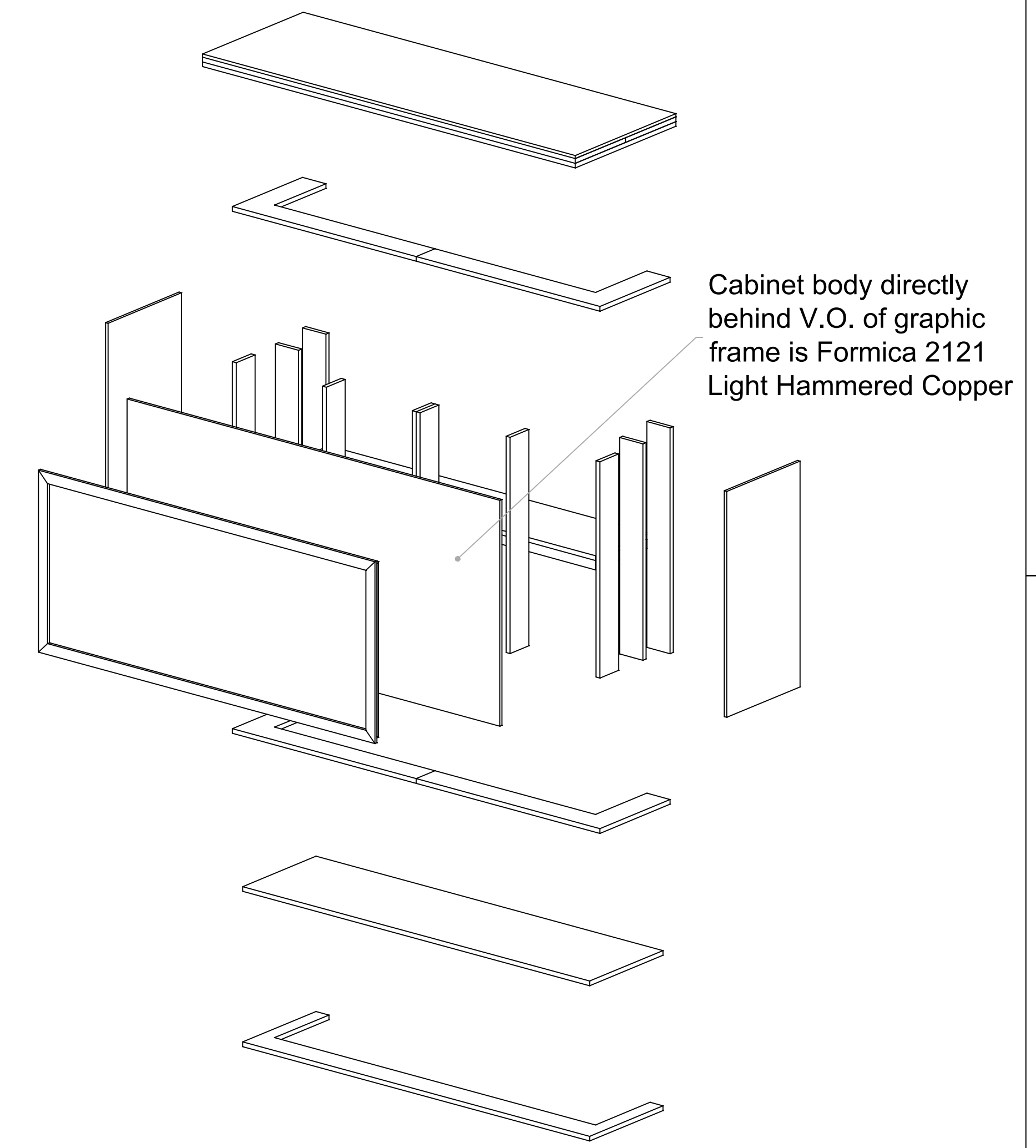
Cabinet body is Formica 949-58 White

Frame has integrated LED lighting (see detail "Q" below)

6 FRONT ISO
Scale: NTS

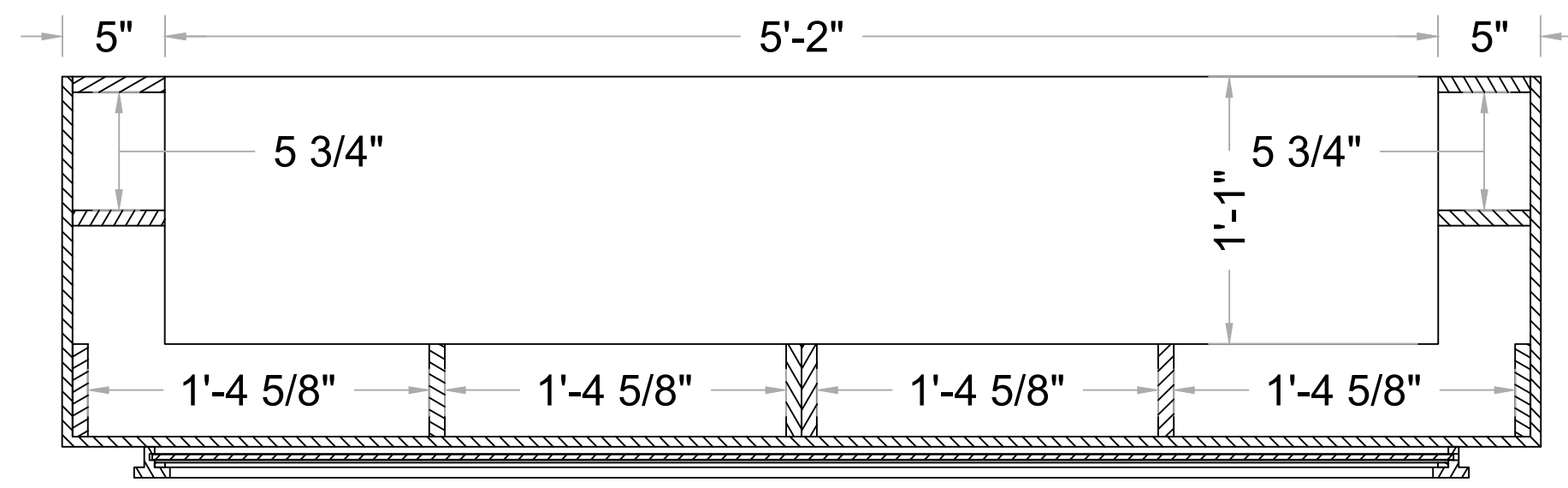


7 REAR ISO
Scale: NTS

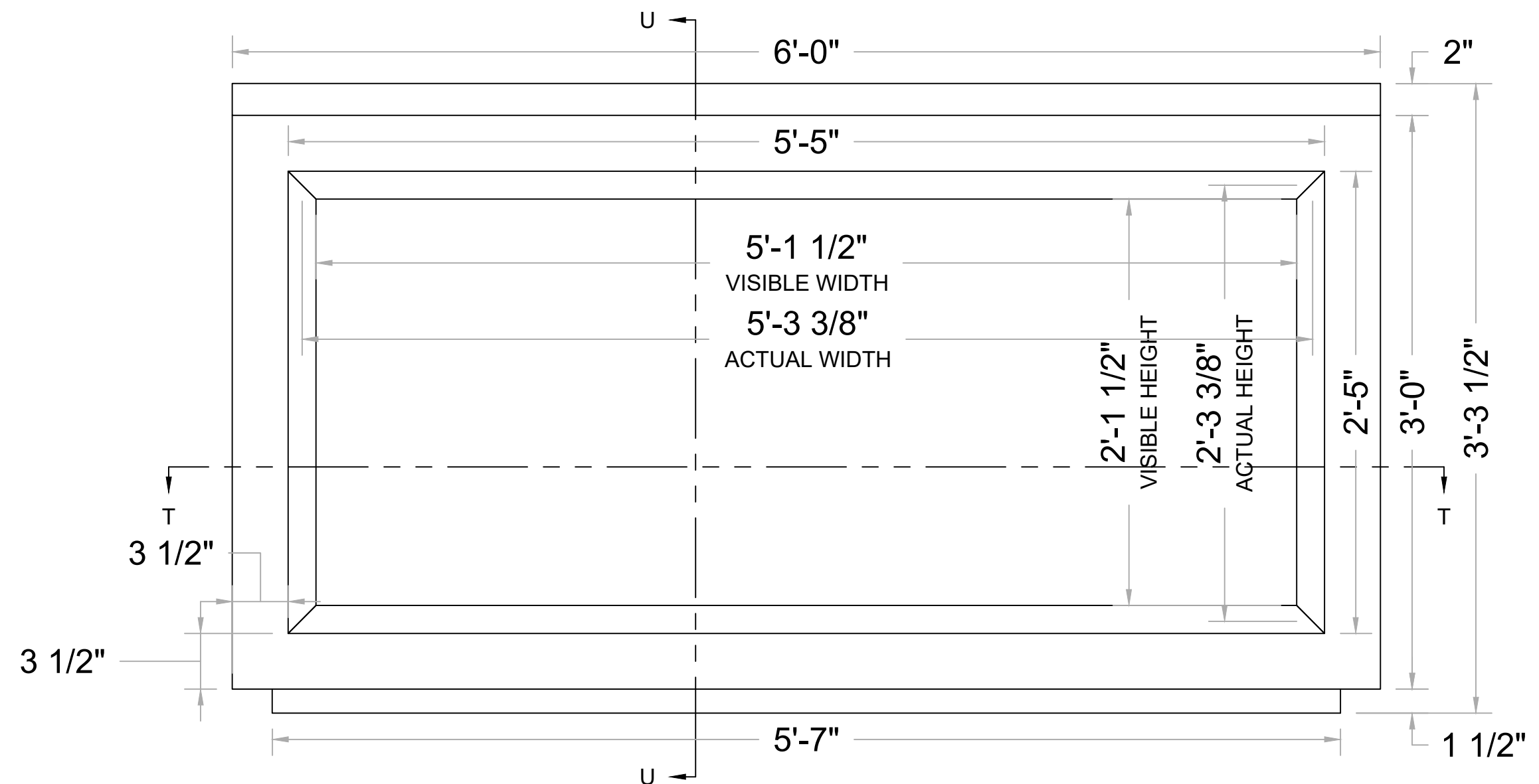


Cabinet body directly behind V.O. of graphic frame is Formica 2121 Light Hammered Copper

8 EXPLODED FRONT ISO VIEW
Scale: NTS

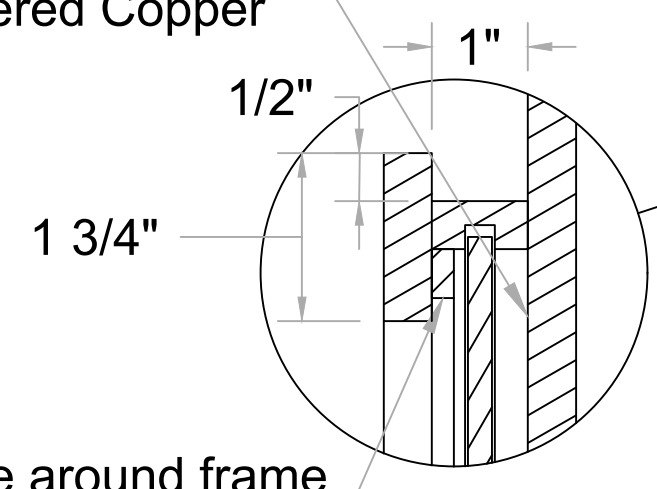


2 SECTION T-T
SCALE 1-1/2" = 1'-0"



3 FRONT
Scale: 1-1/2" = 1'-0"

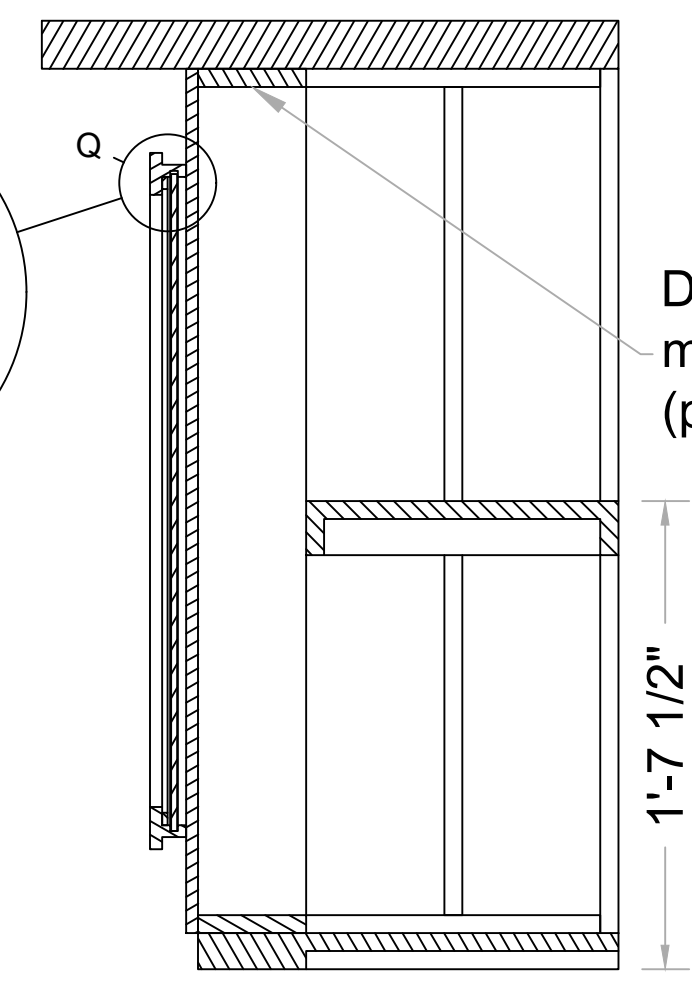
Cabinet body directly behind V.O. of graphic frame is Formica 2121 Light Hammered Copper



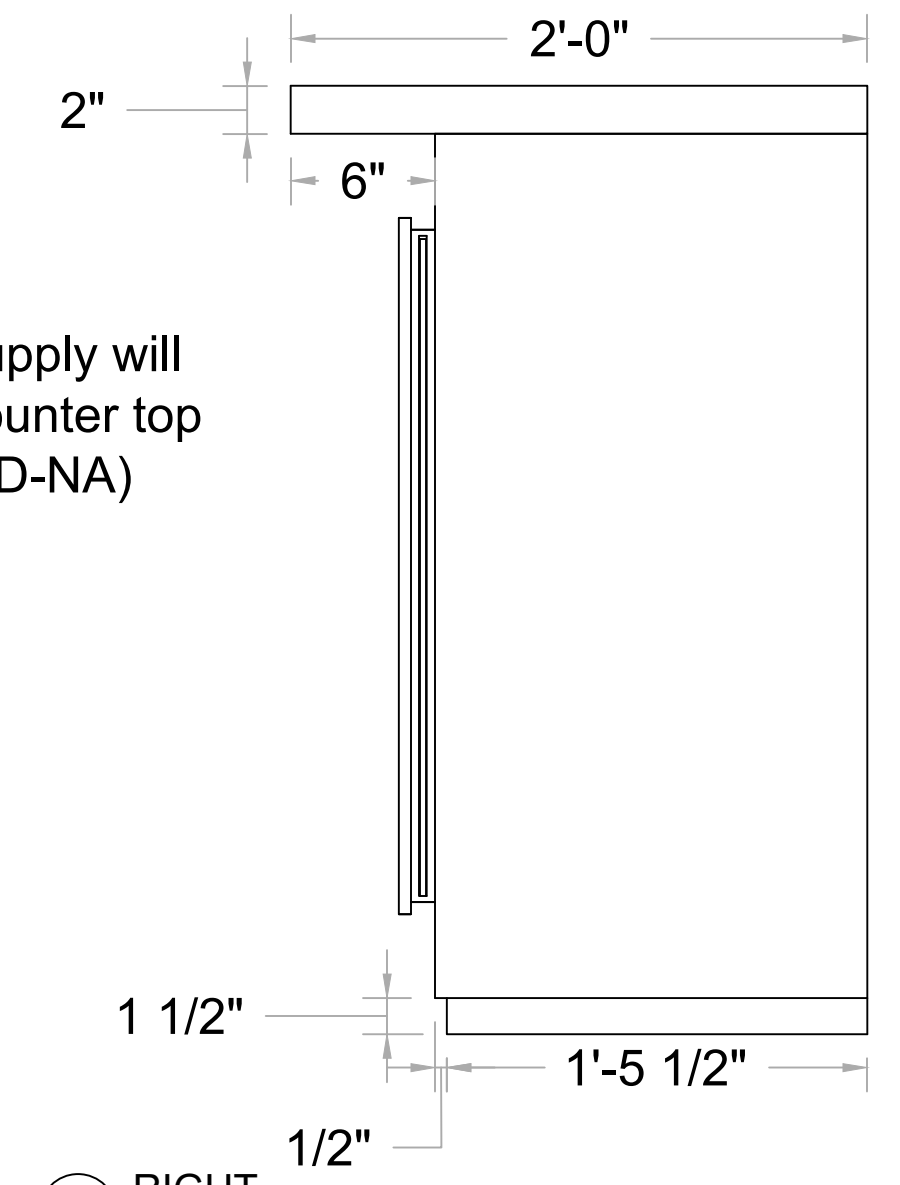
Edge lit LED tape around frame (product # wp-dlrfEVsm3014-96-reel)

DETAIL Q
SCALE 6" = 1'-0"

4 SECTION U-U
SCALE 1-1/2" = 1'-0"



Dimmable LED power supply will mount to underside of counter top (part # ADAPTER-60-12D-NA)



5 RIGHT
Scale: 1-1/2" = 1'-0"