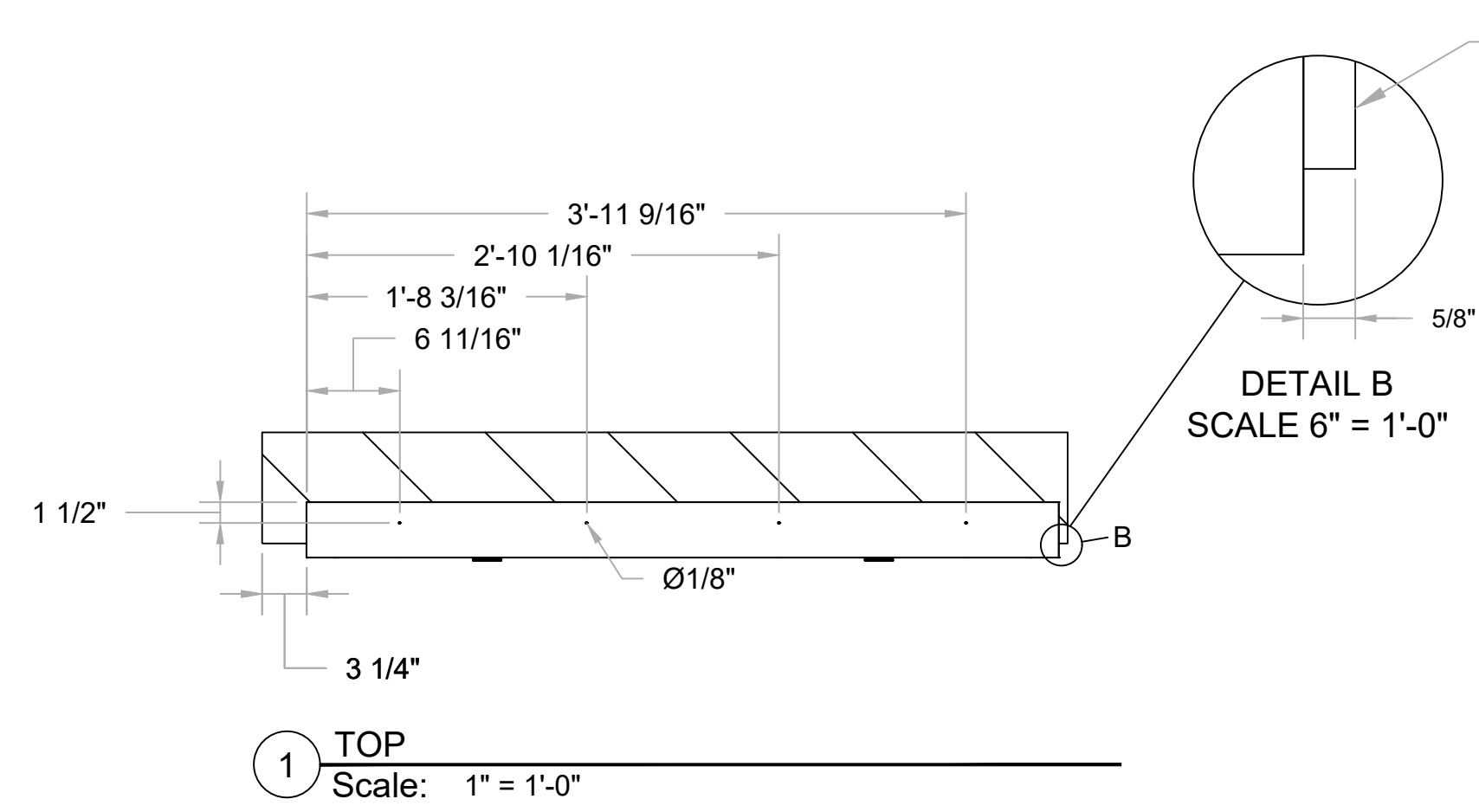
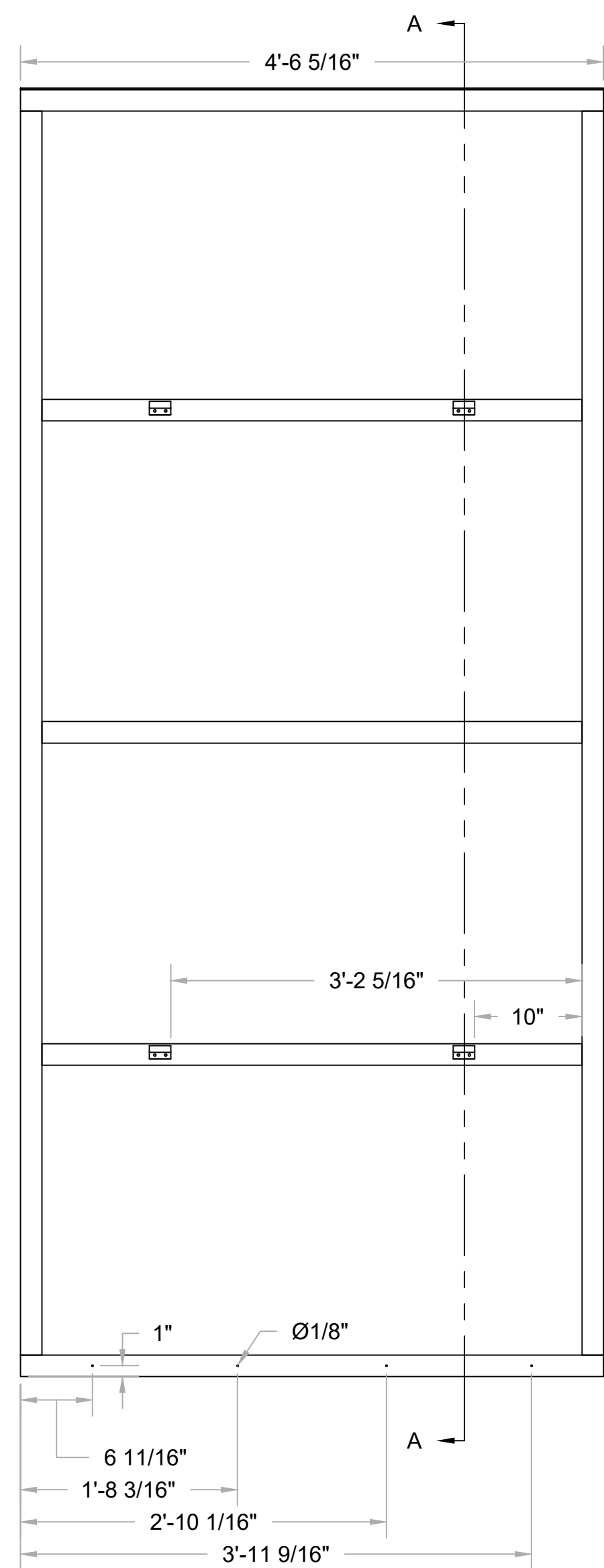


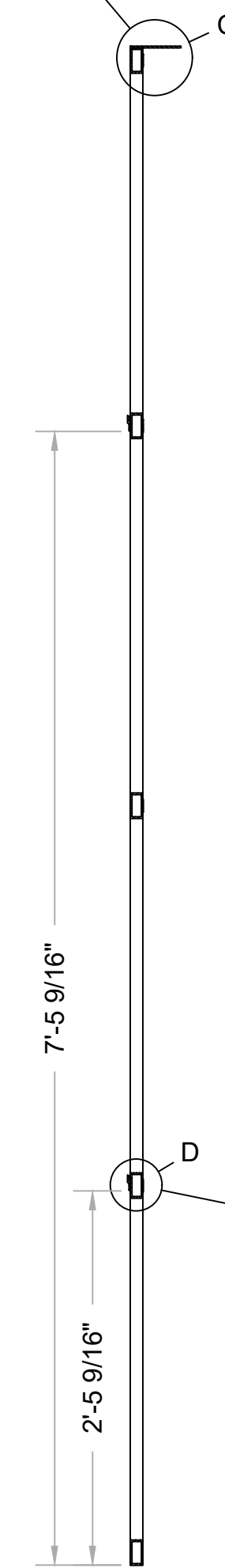
PANEL 7 WALL MOUNT FRAME



1 TOP
Scale: 1" = 1'-0"



3 SECTION A-A
SCALE 1" = 1'-0"



4 FRONT ISO
Scale: NTS

Holes for screwing into existing
wall after removing baseboard

