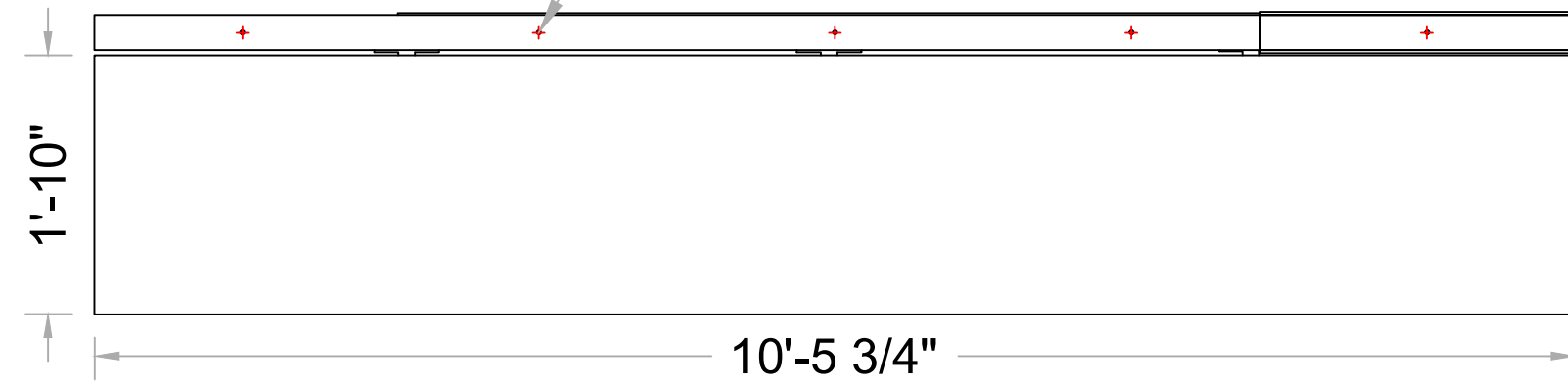


RIGHT WALL

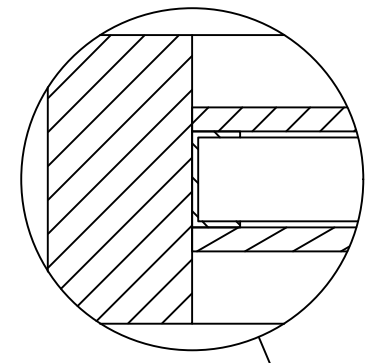
Zinc Yellow-Chromate Plated Hex Head Screw  
Grade 8 Steel, 5/16"-18 Thread, 5.5" Long, Partially Threaded



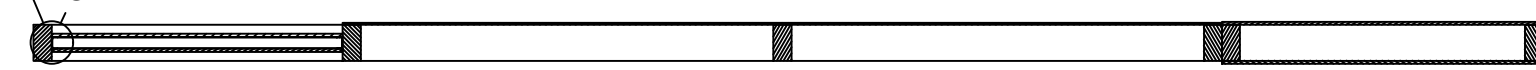
Right Wall connects to ceiling with 5/16"-18 x 5-1/2" long bolts with lock washers and nuts (5 total)



1 TOP  
Scale: 3/4" = 1'-0"



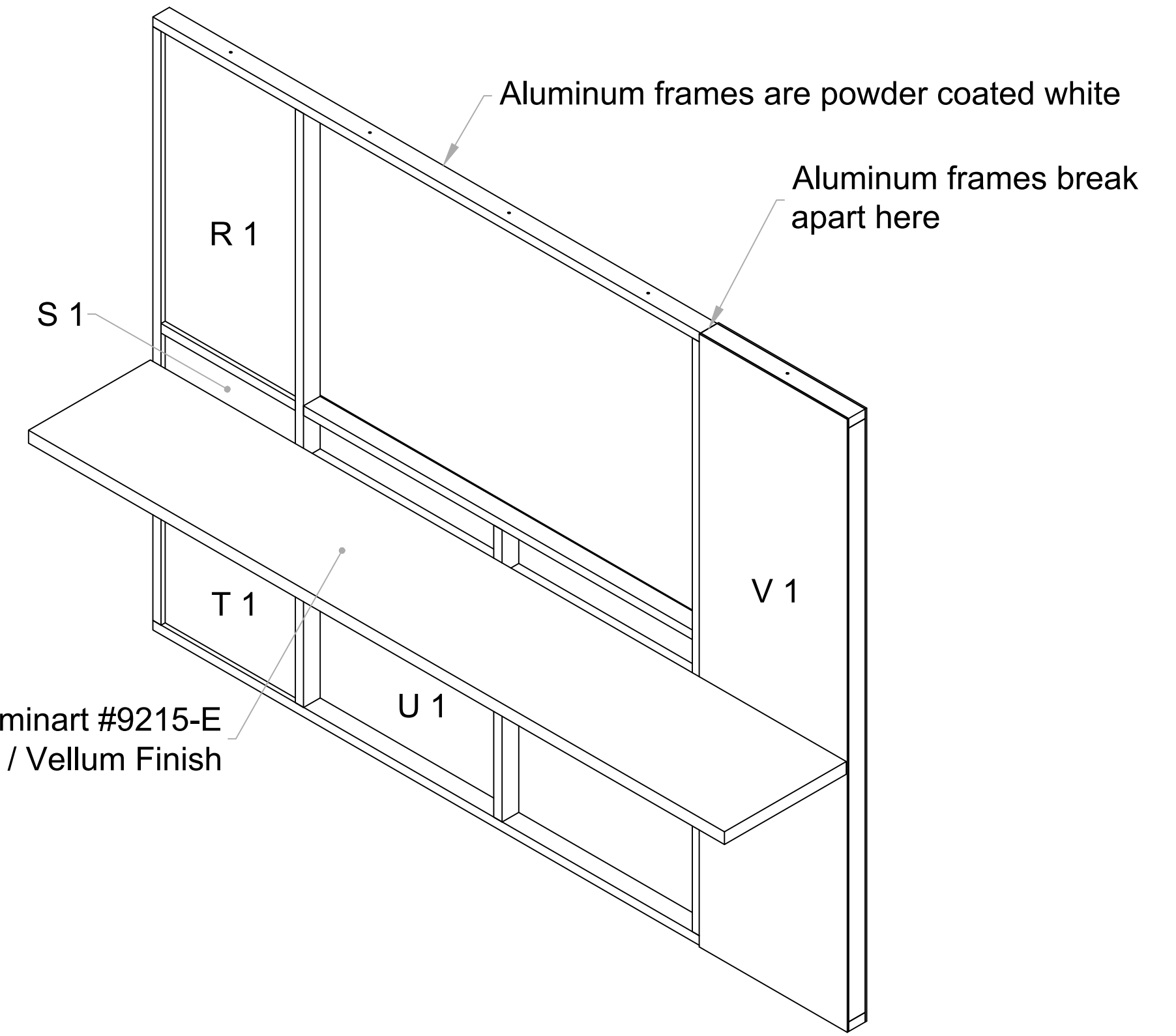
DETAIL O  
SCALE 6" = 1'-0"



2 SECTION P-P  
SCALE 3/4" = 1'-0"

Notes:

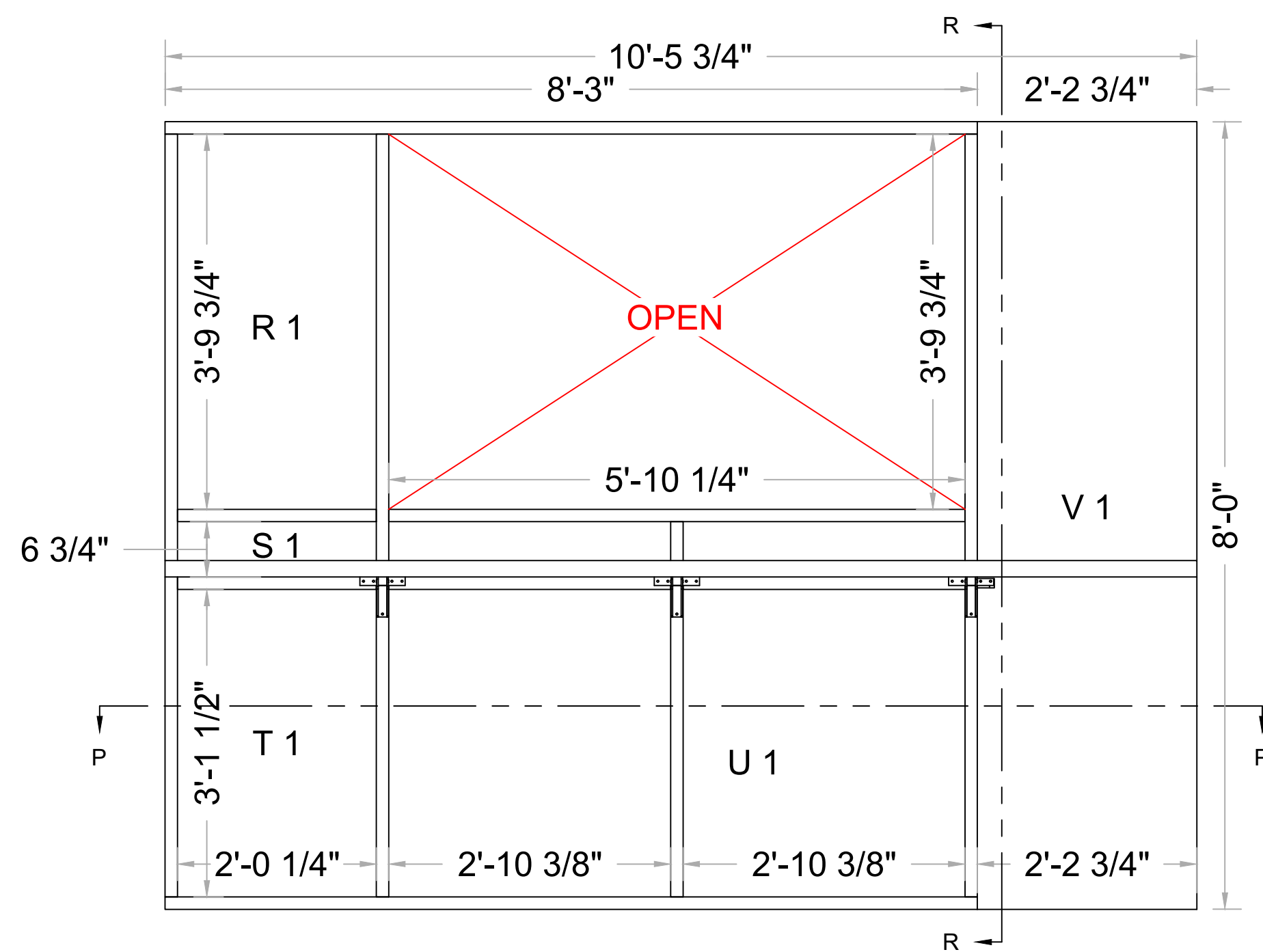
- Frame
  - Framing is 1-1/2"x3"x1/8" aluminum tube; powder coated
  - Frame breaks down into two pieces
  - Pieces attach together with sex-bolts
- Skin
  - R1 and R2 are 1/4" Extrira™ laminated on both sides with Laminart #9215-E Carbon Black Laminate / Vellum Finish; attach to channel in center of wall (see detail "O" below)
  - S1 and S2 are 1/4" Extrira™ with galvanized 20GA sheet metal on both sides; attach to channel in center of wall (see detail "O" below)
  - T1 and T2 are 1/4" Extrira™ with galvanized 20GA sheet metal on both sides; attach to channel in center of wall (see detail "O" below)
  - U1 is natural coroplast; attaches to back of wall with clear VHB tape
  - V1 is 1/4" Di-bond with printed graphic; attaches to front of wall
  - V2 is 1/4" Di-bond with printed graphic; attaches to back of wall
  - ALL SKIN MUST BE REMOVABLE



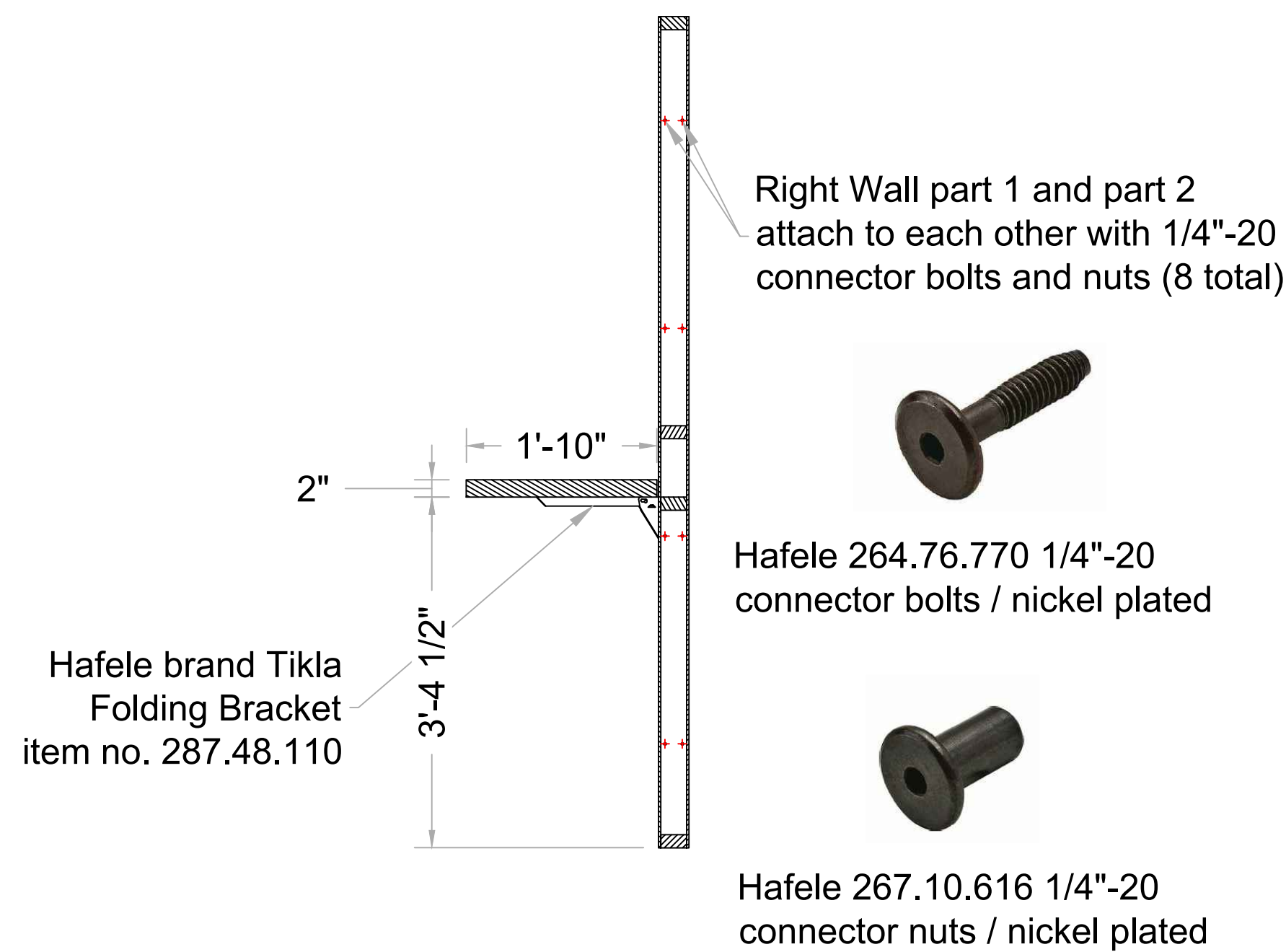
Collapsible shelf; Laminart #9215-E Carbon Black Laminate / Vellum Finish

6 FRONT ISO  
Scale: NTS

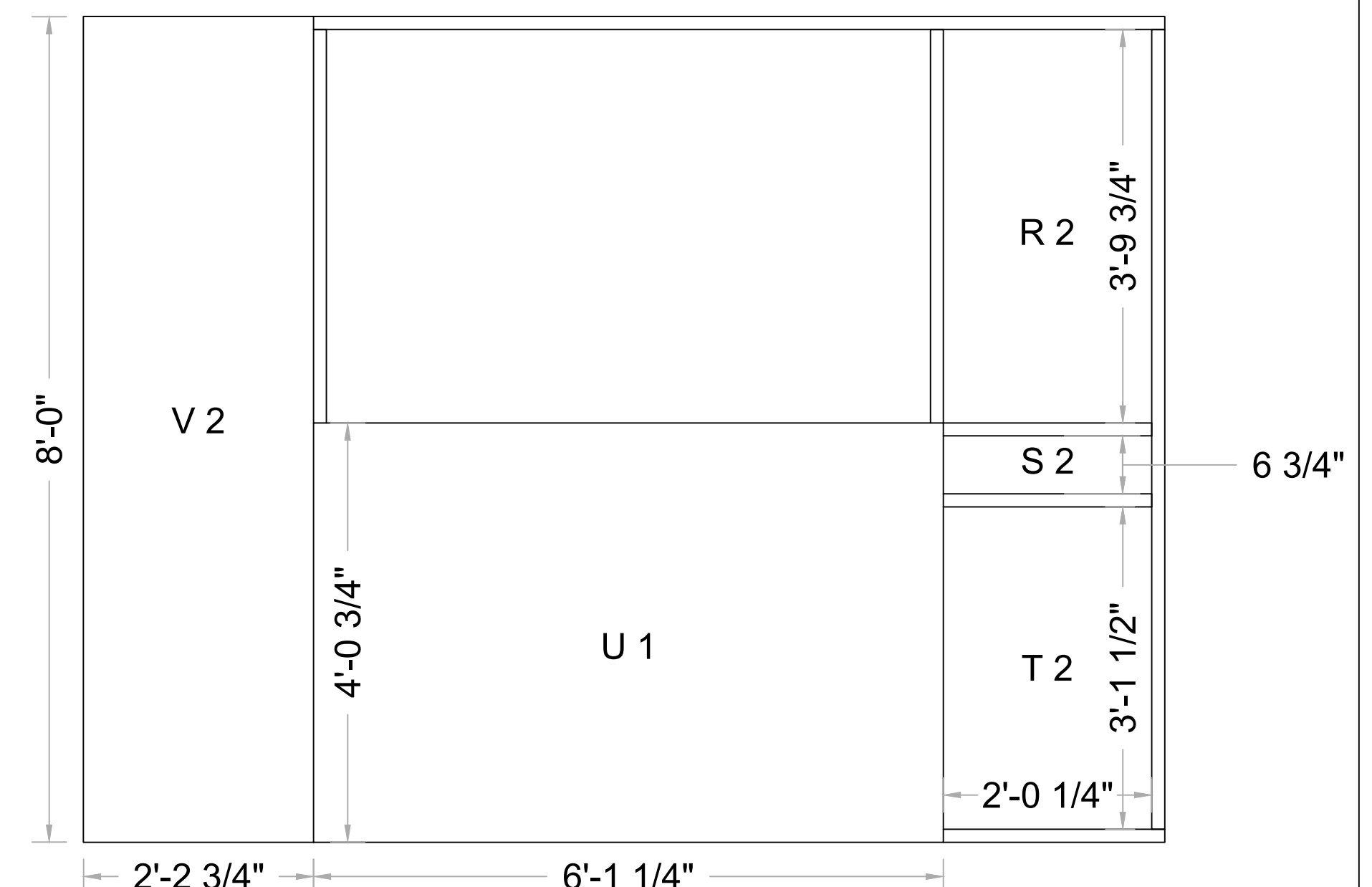
Qty	GRAPHIC SCHED.	Part Number	Description	Width	Height
2	R		1/4" Extrira™ - laminated both sides with LAMINART #9215-E CARBON BLACK LAMINATE / VELLUM FINISH	24.25"	45.75"
2	S		1/4" Extrira™ with galvanized 20GA sheet metal	24.25"	6.75"
2	T		1/4" Extrira™ with galvanized 20GA sheet metal	24.25"	37.5"
1	U		4mm Coroplast - natural	73.25"	48.75"
2	V		1/4" Di-bond with printed graphics	26.75"	96"



3 FRONT  
Scale: 3/4" = 1'-0"



4 SECTION R-R  
SCALE 3/4" = 1'-0"



5 BACK  
Scale: 3/4" = 1'-0"