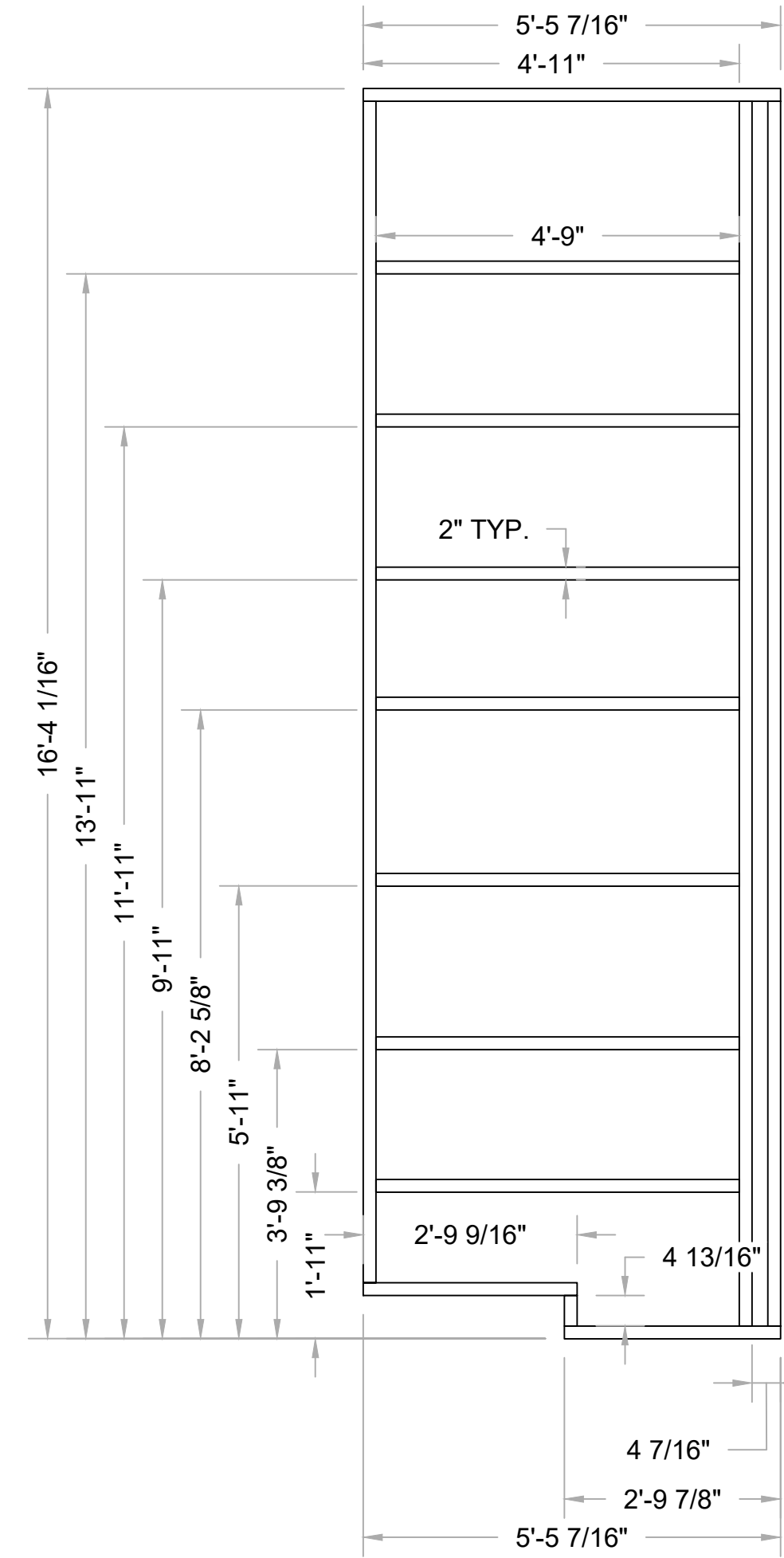
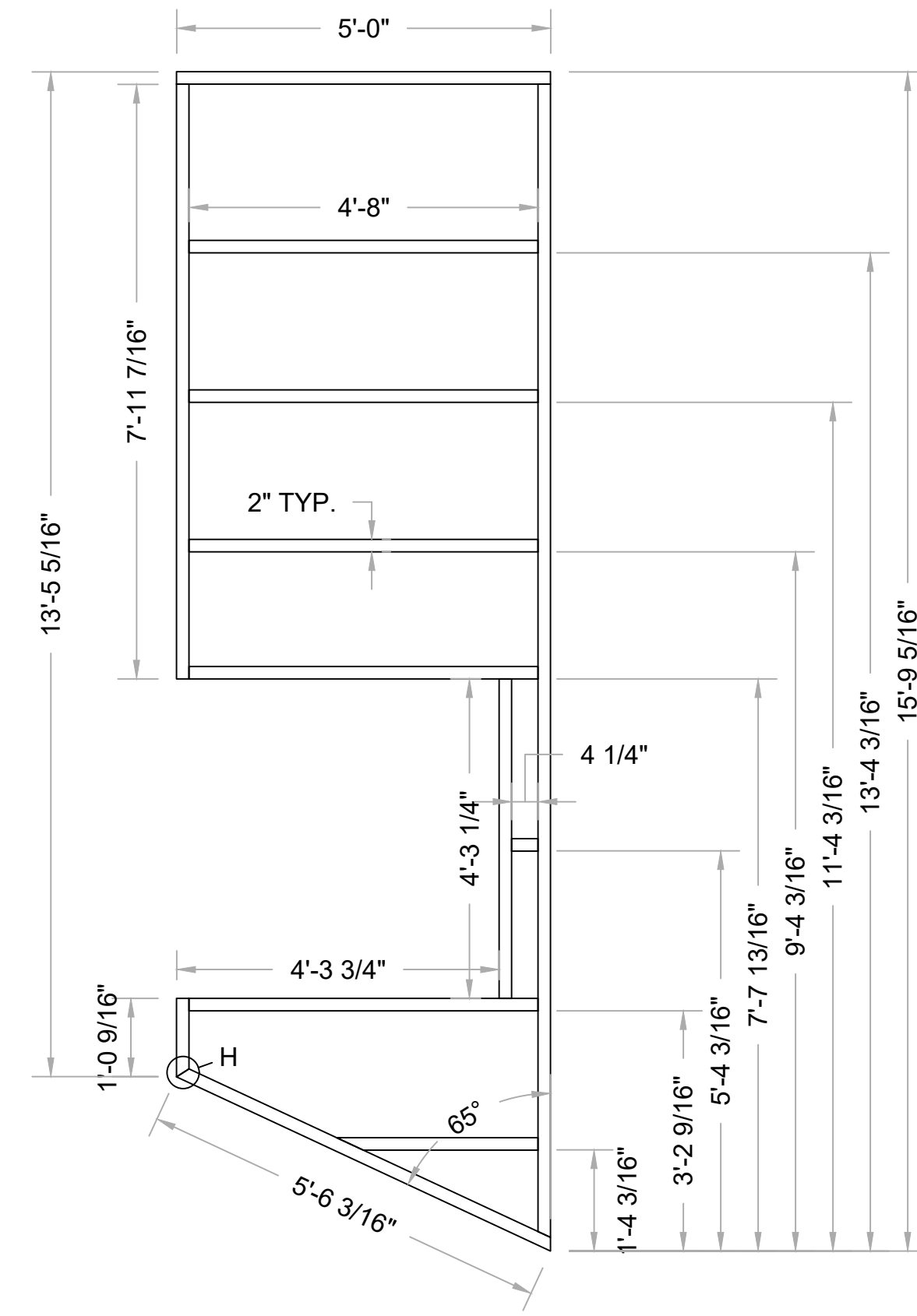
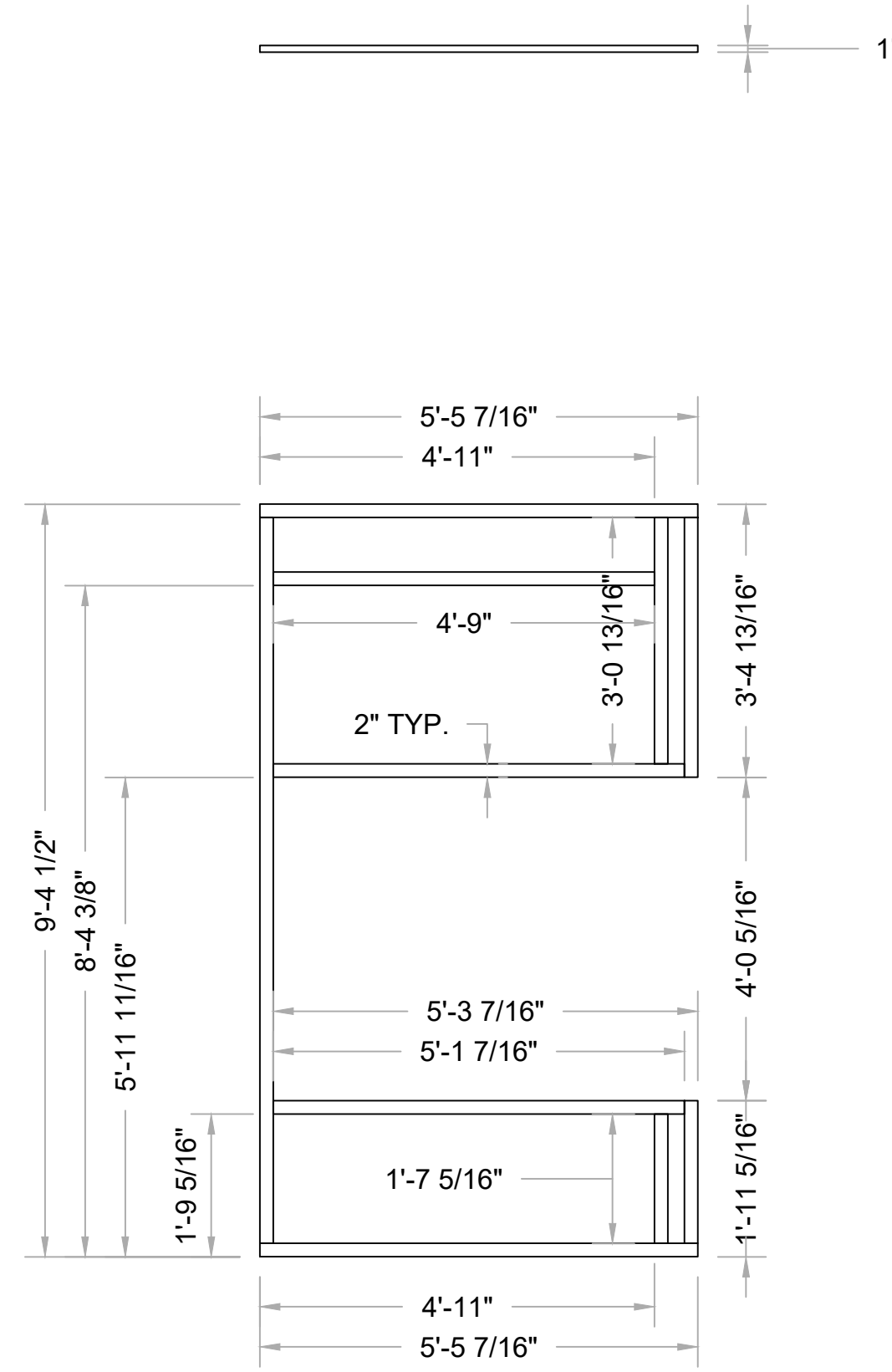
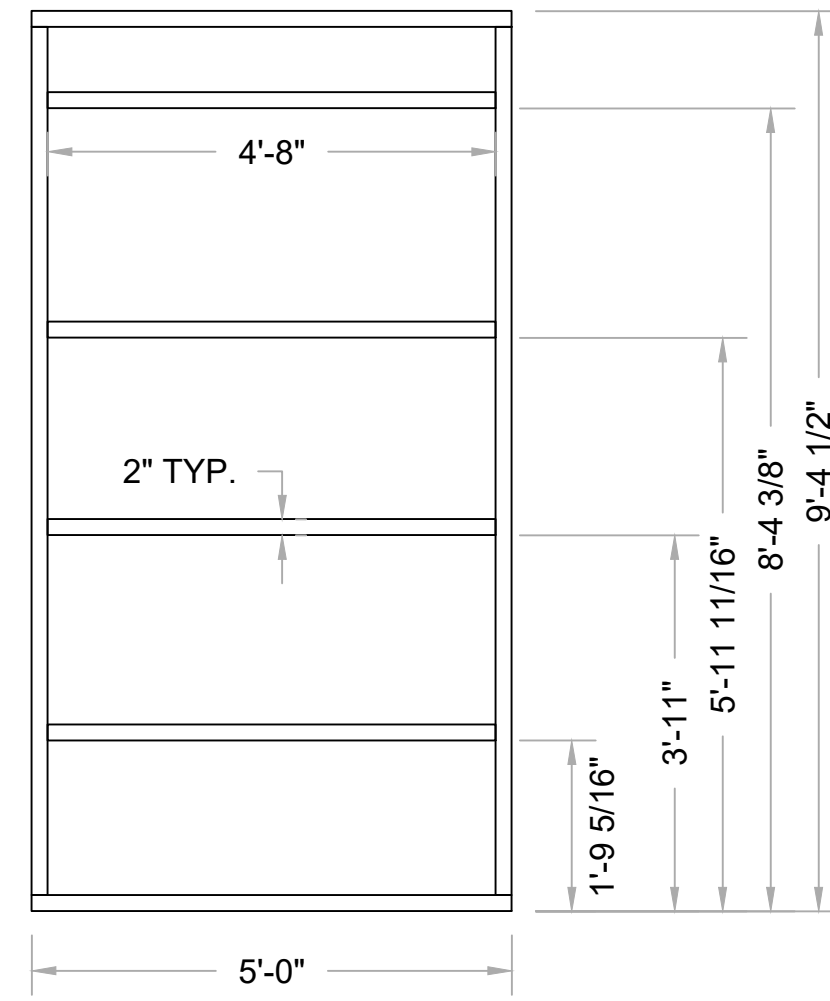
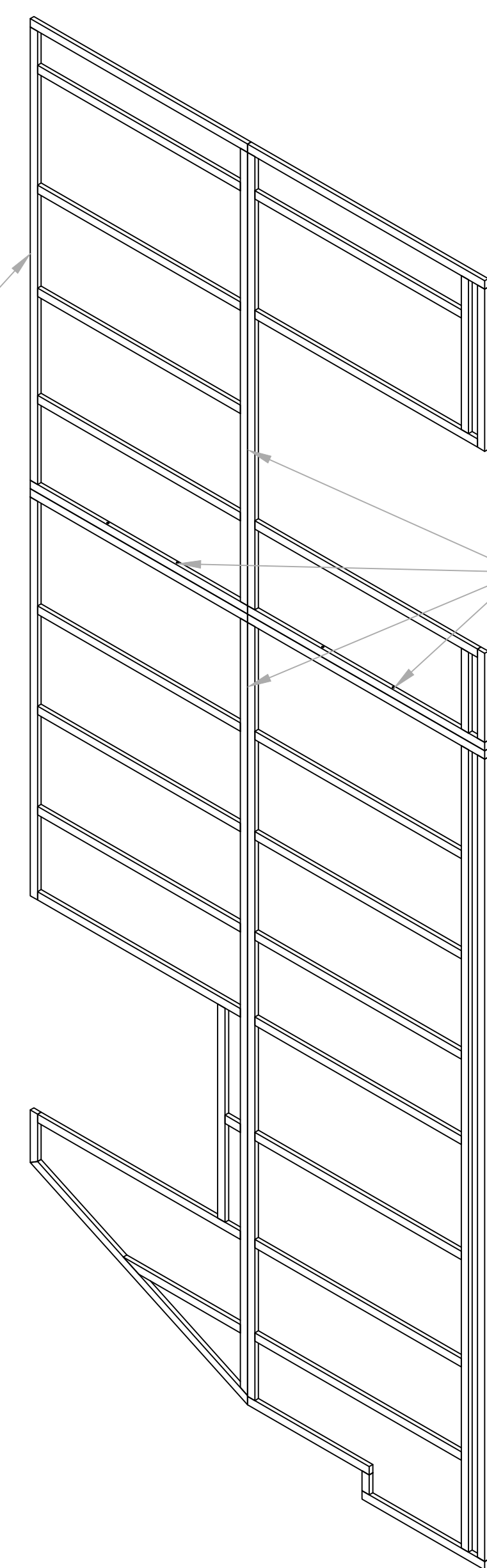


1 TOP
Scale: 1/2" = 1'-0"



1x2 Milliken framing

4 FRONT ISO
Scale: NTS

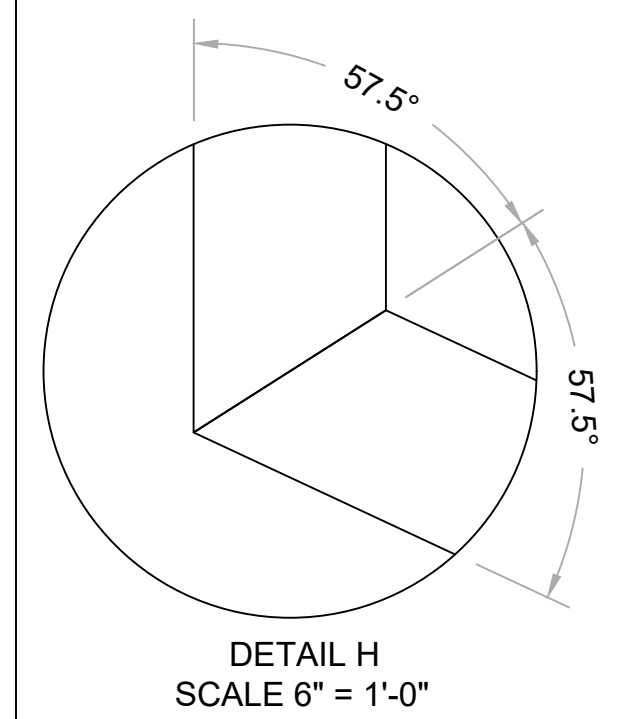


7/16" Ø holes for bolting frames together with 3/8" Ø x 4-1/2" hex bolts; location of holes is up to shop

Note:
- For framing layout, dimensions are taken from the outside of the frame to THE NEAREST EDGE of a framing member
- Framing members are 1x2 Milliken

2 FRONT
Scale: 1/2" = 1'-0"

3 RIGHT
Scale: 1/2" = 1'-0"



DETAIL H
SCALE 6" = 1'-0"