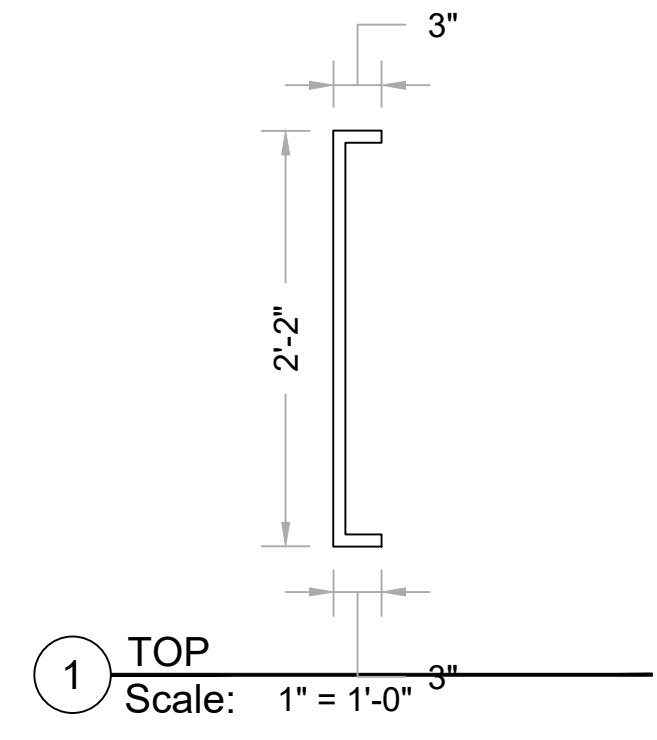
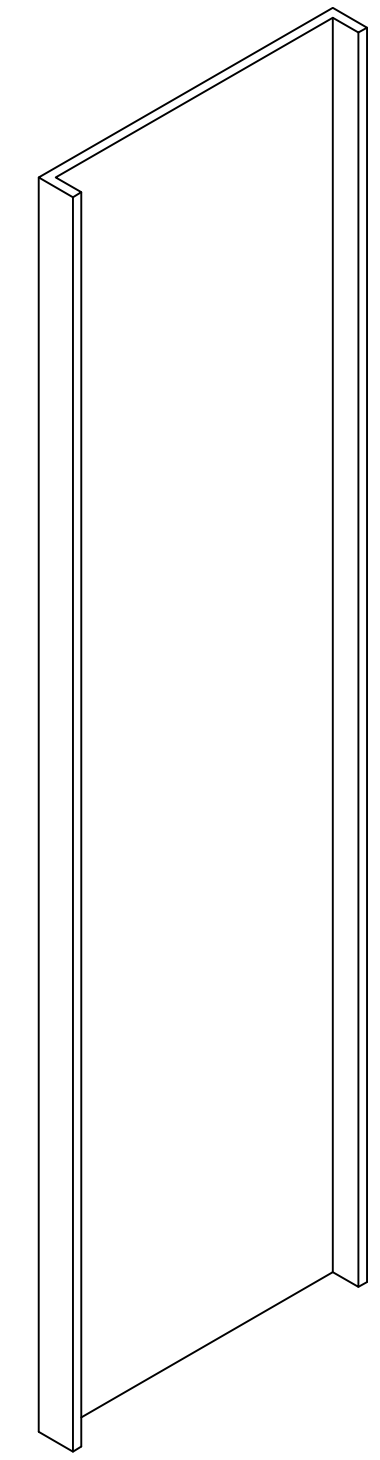
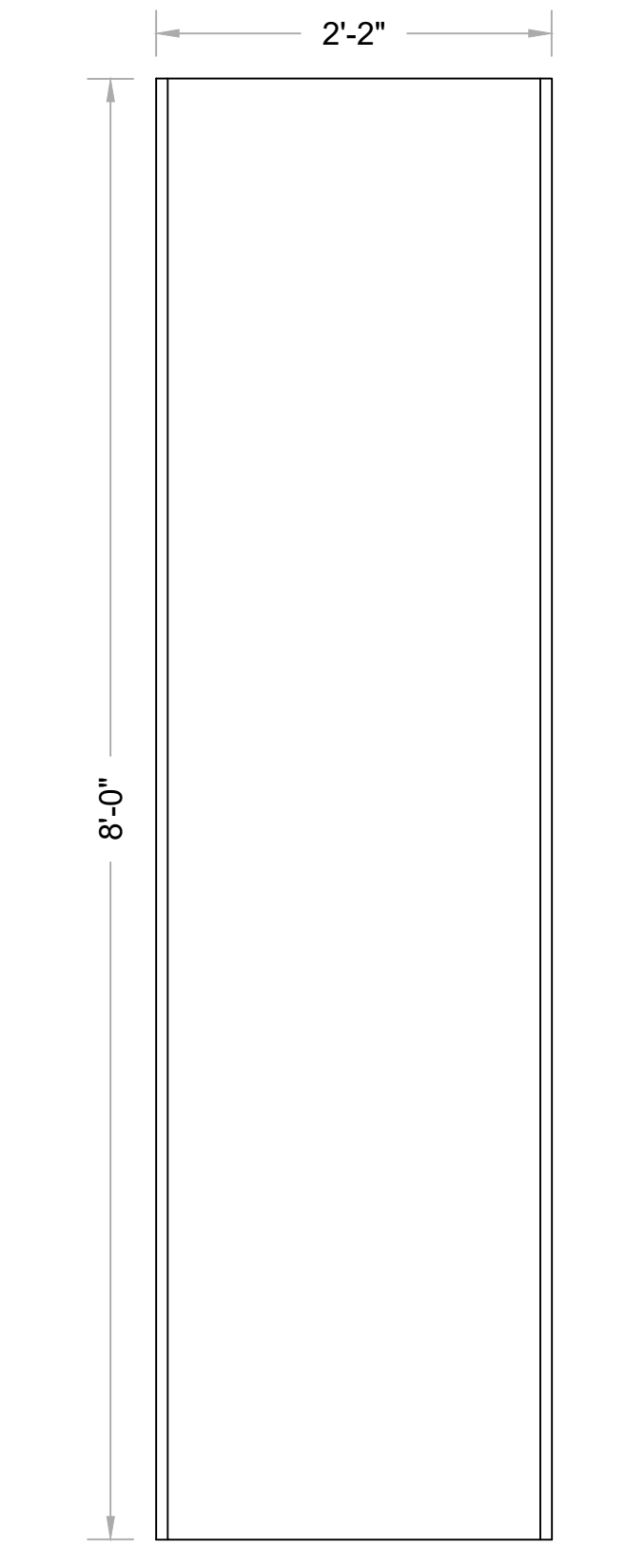
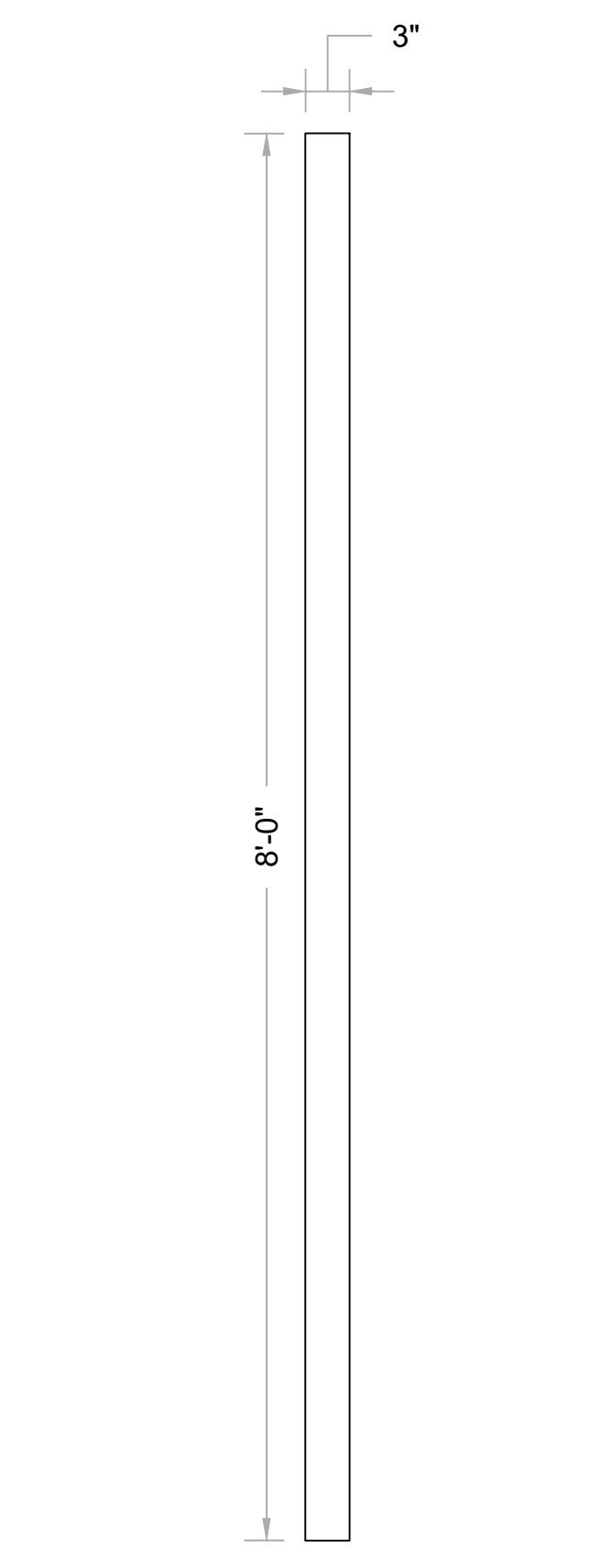


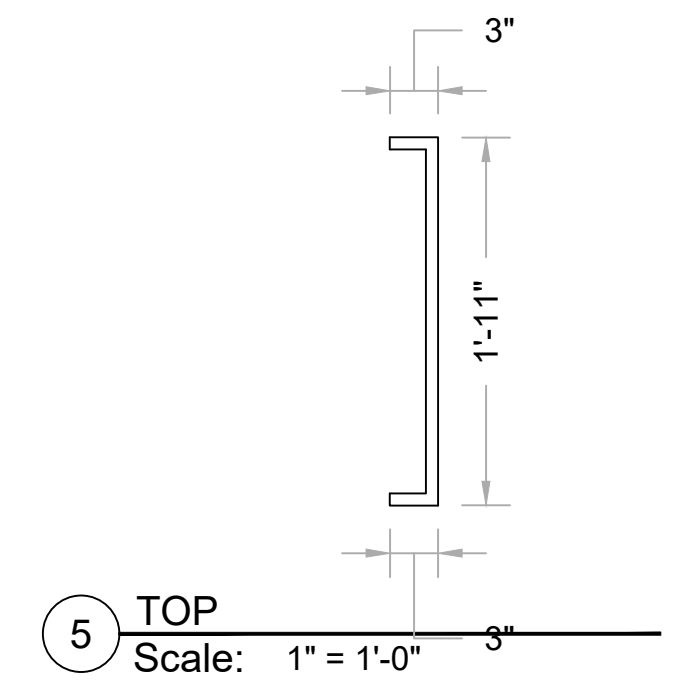
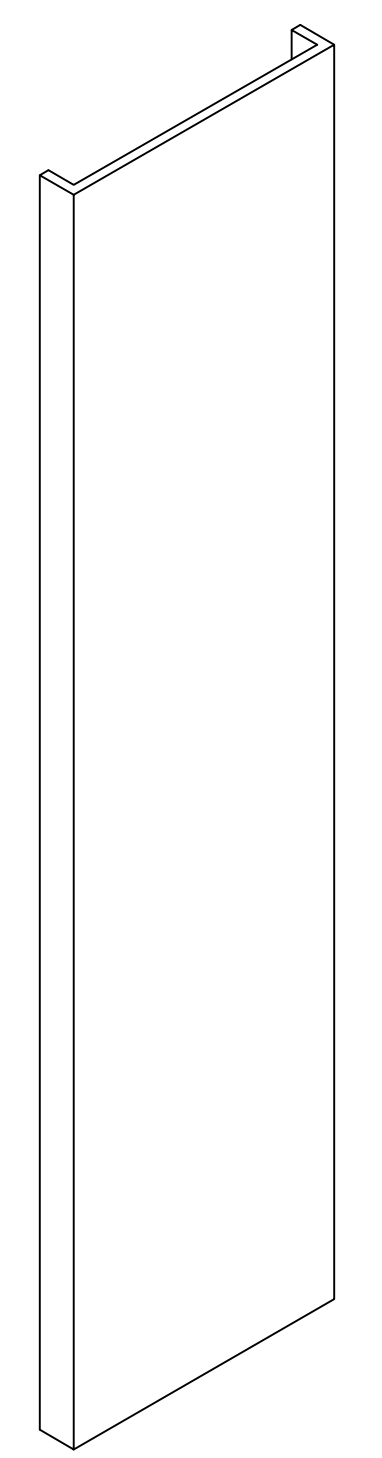
**LEFT
END CAP**



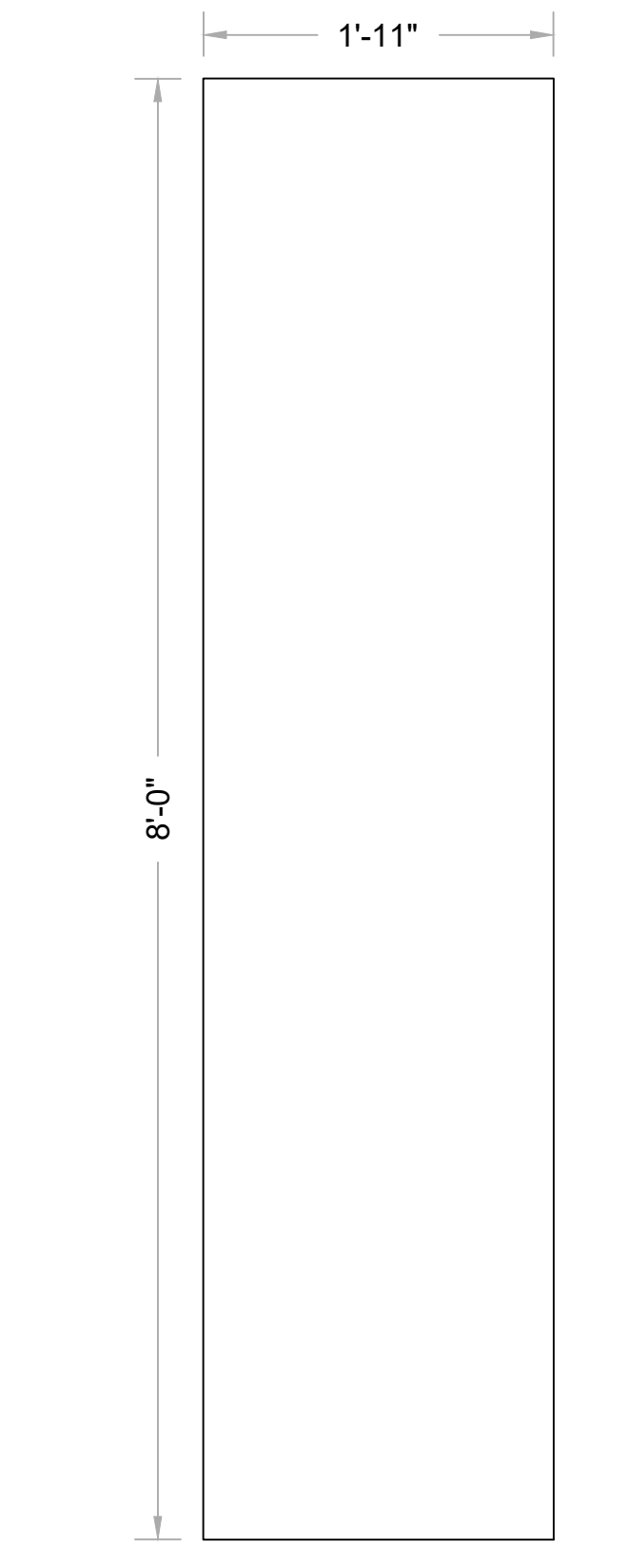
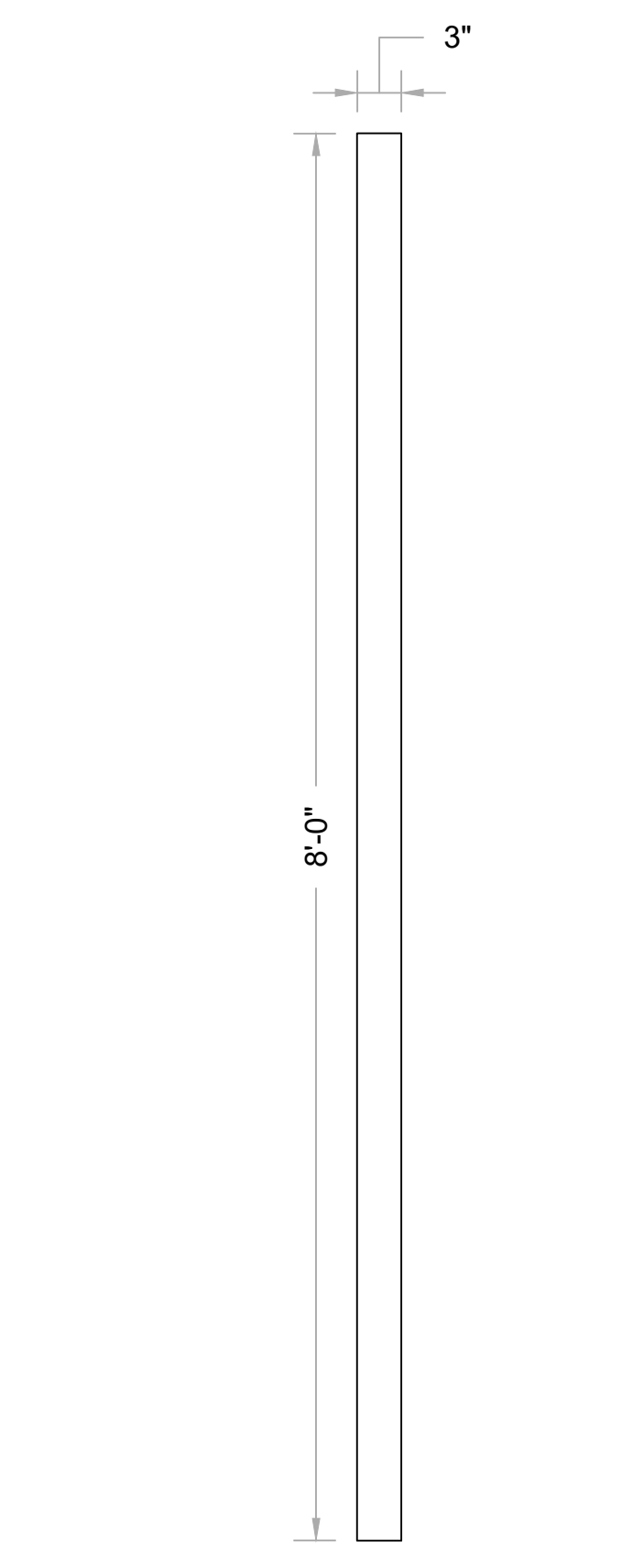
4 FRONT ISO
Scale: NTS



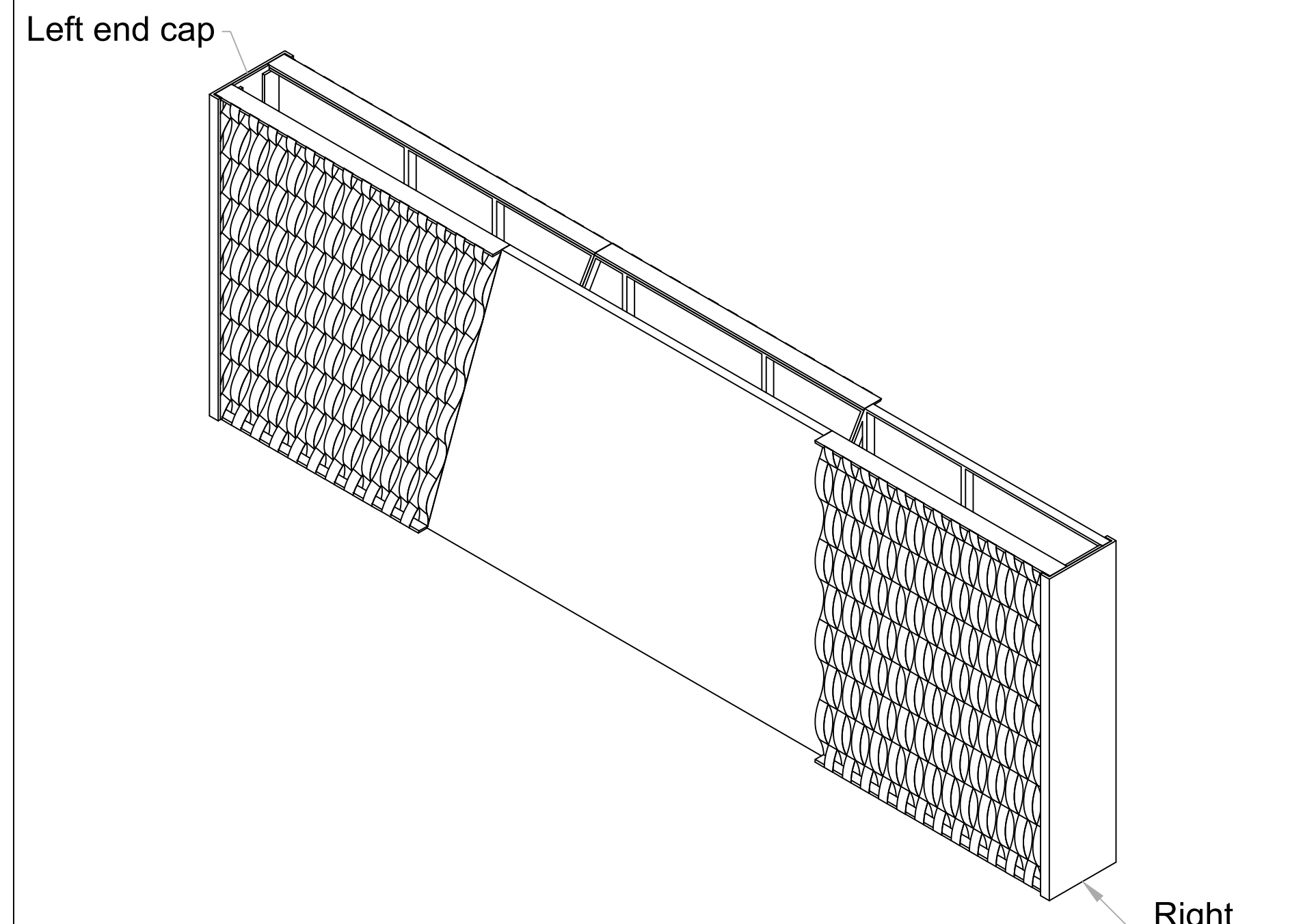
**RIGHT
END CAP**



8 FRONT ISO
Scale: NTS



NOTES
- End caps are plywood covered in laminate (TBD)



9 FRONT ISO
Scale: NTS