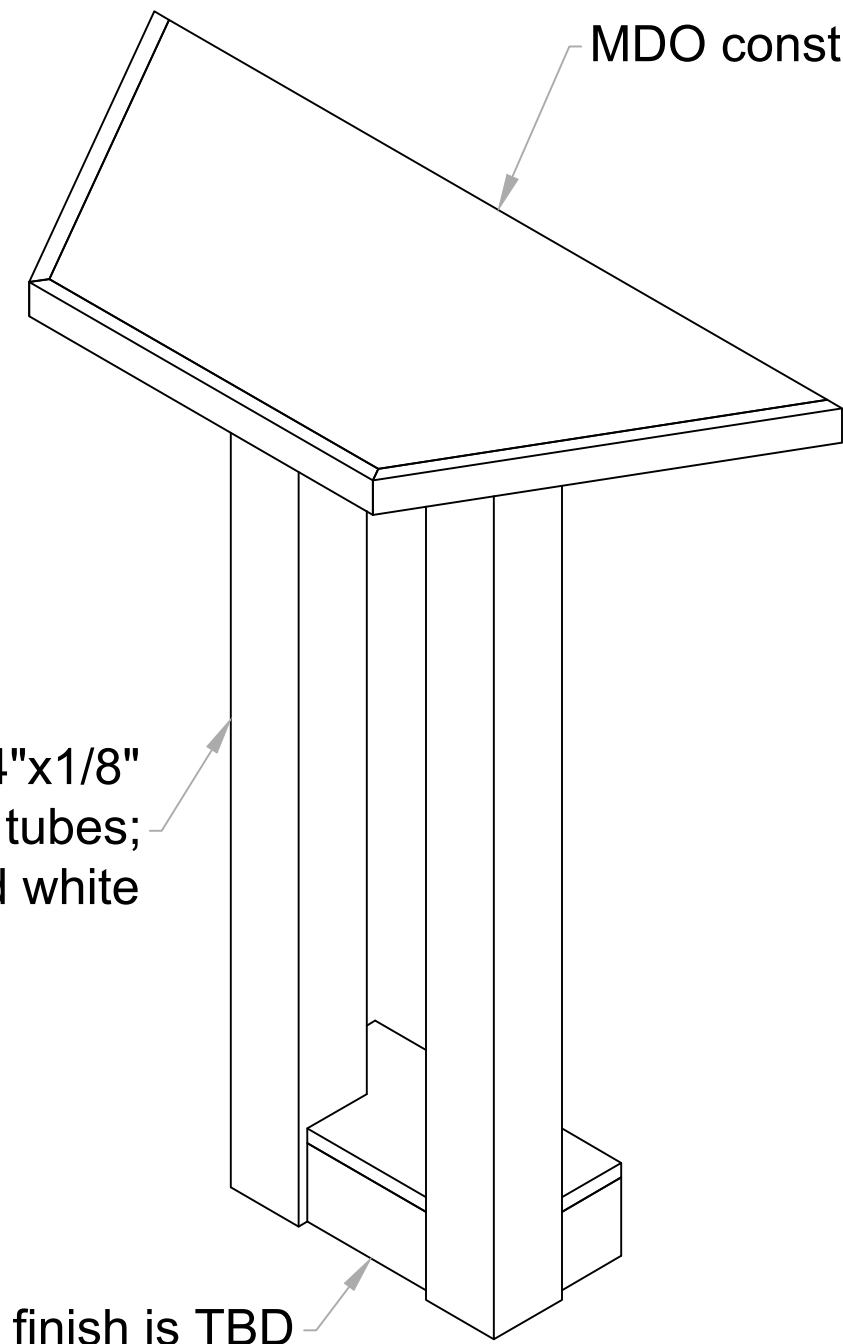
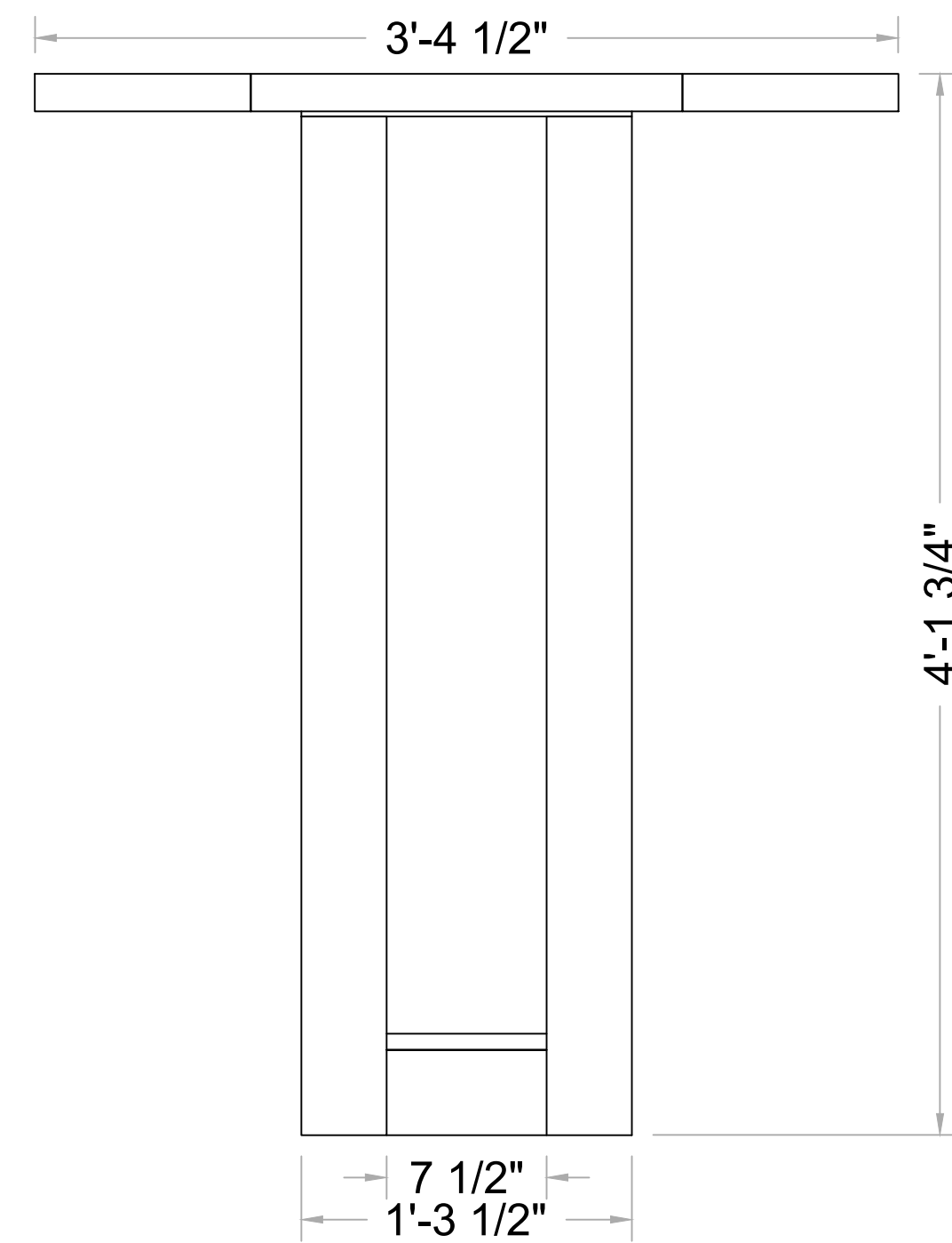


1 TOP
Scale: 1-1/2" = 1'-0"

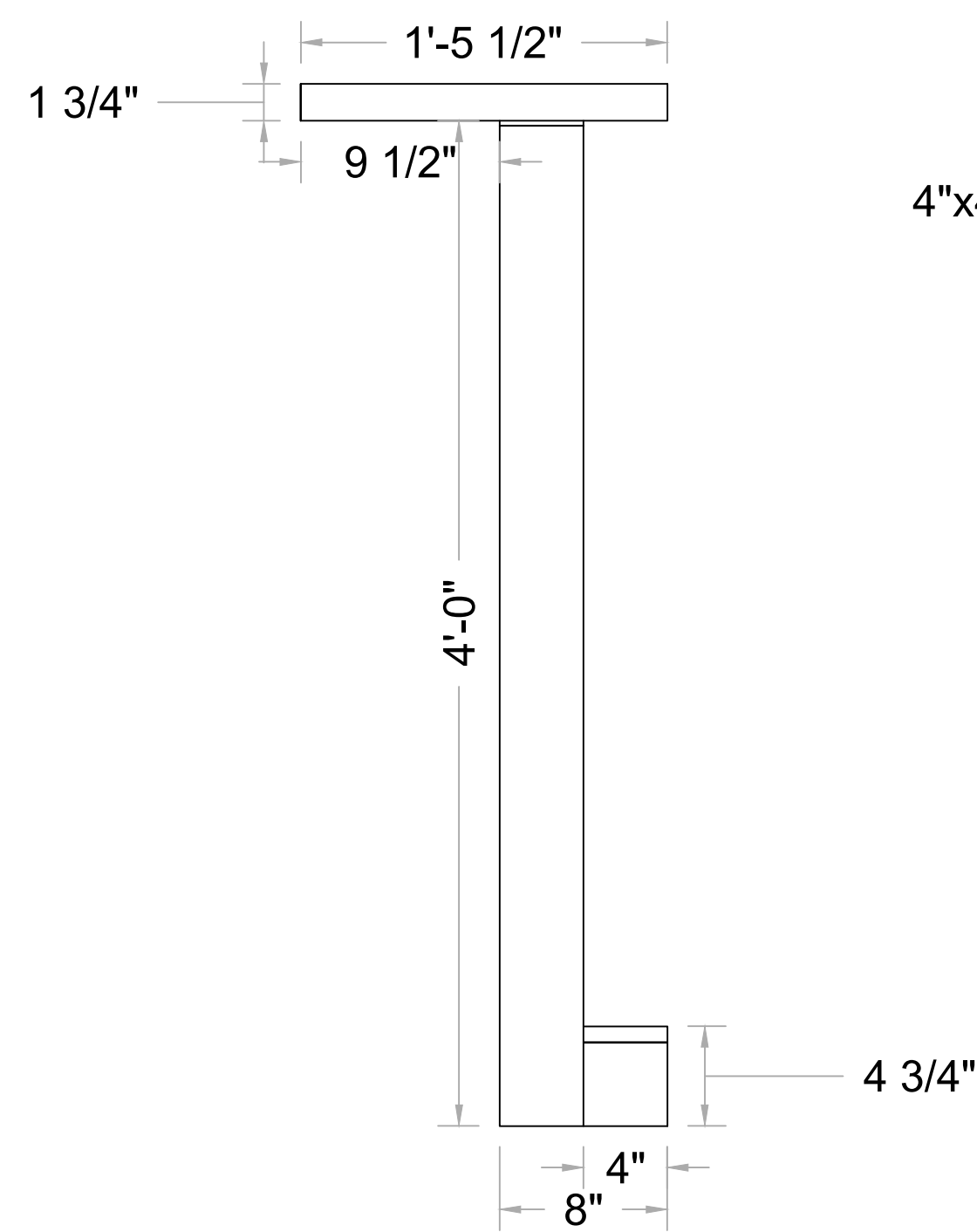


MDO construction; finish is TBD

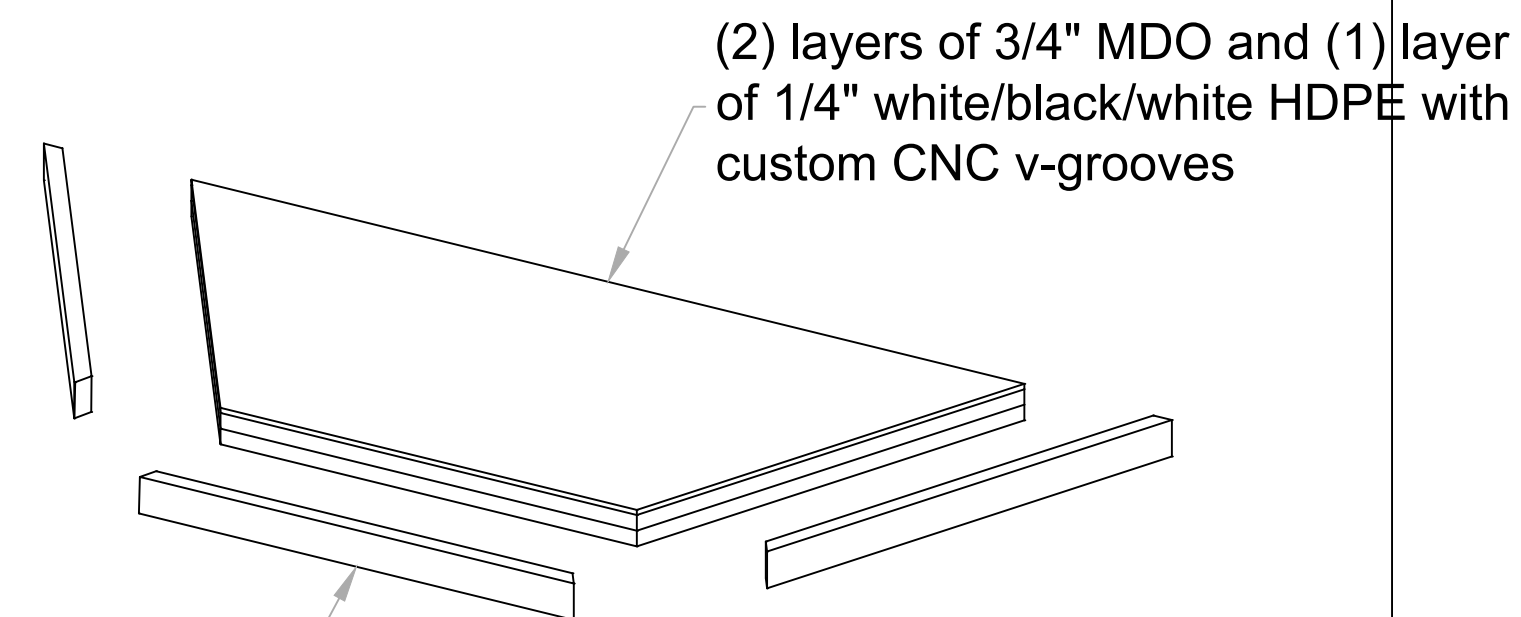
4 FRONT ISO
Scale: NTS



2 FRONT
Scale: 1-1/2" = 1'-0"



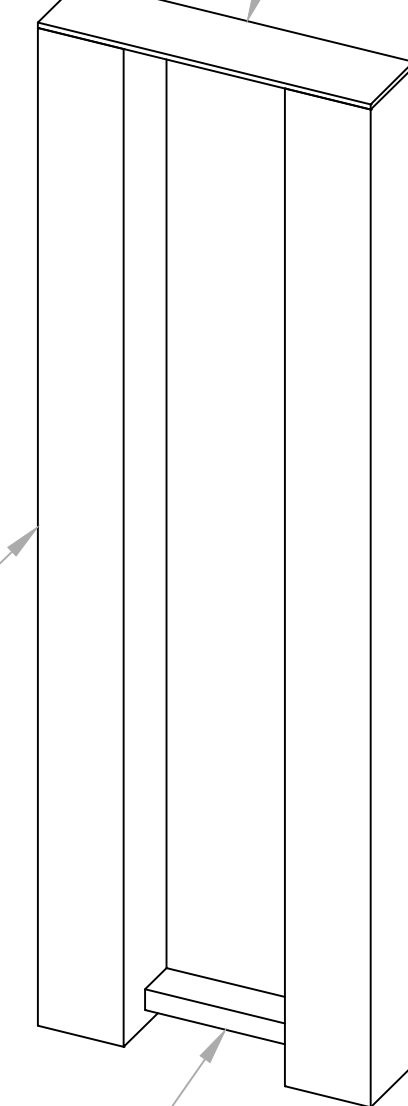
3 RIGHT
Scale: 1-1/2" = 1'-0"



Black t-mold or equivalent

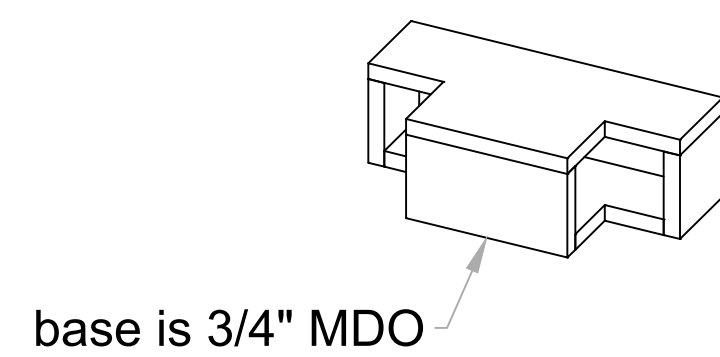
(2) layers of 3/4" MDO and (1) layer of 1/4" white/black/white HDPE with custom CNC v-grooves

4"w x 1/4" aluminum flat stock; screw through flat stock into top



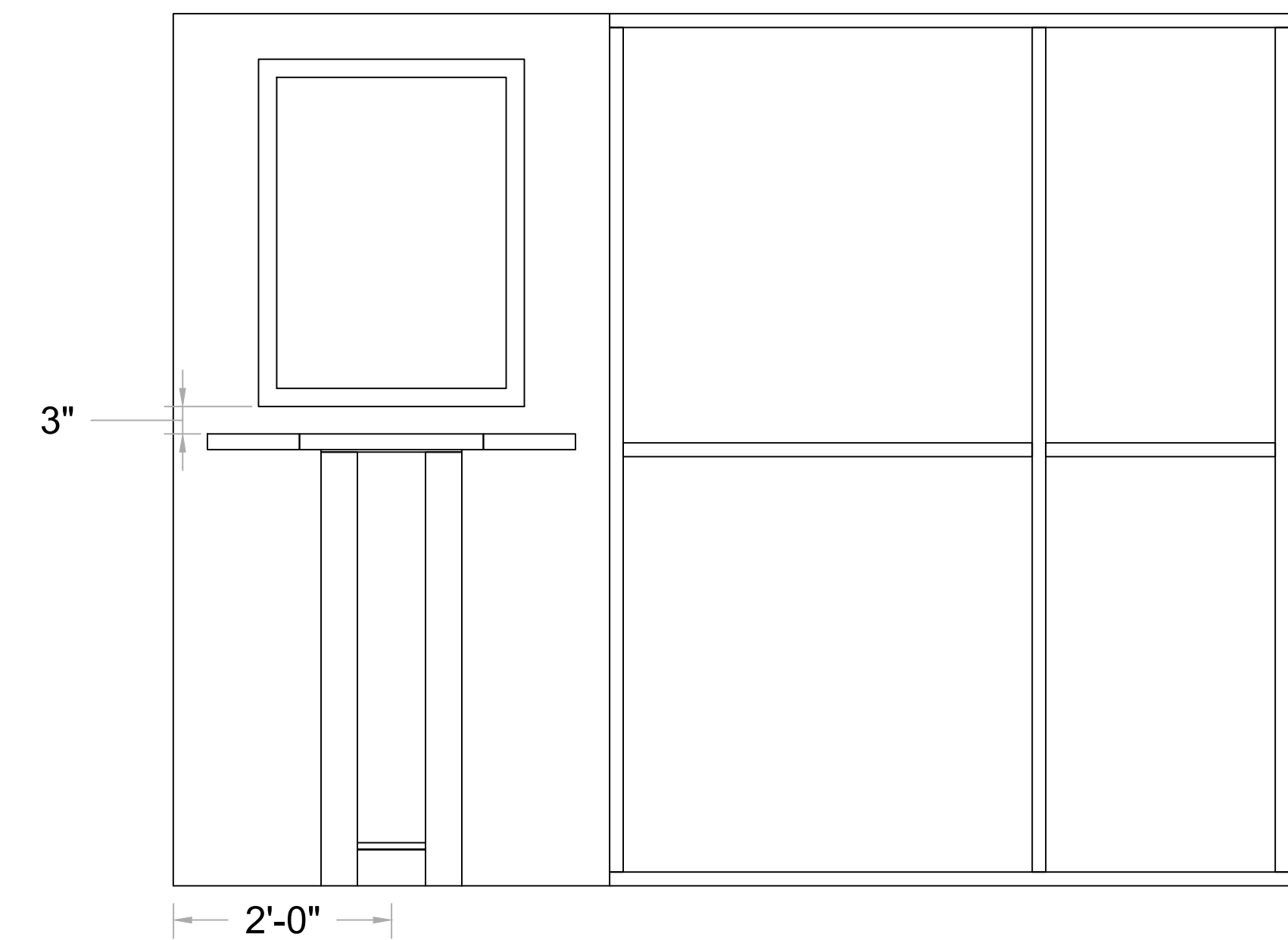
4"x4"x1/8" aluminum tube

1"x2"x1/8" aluminum for attaching legs to base



base is 3/4" MDO

5 SEPARATED ISO
Scale: NTS



6 LOCATION OF SIDE TABLE ON LEFT WALL
Scale: 1-1/2" = 1'-0"