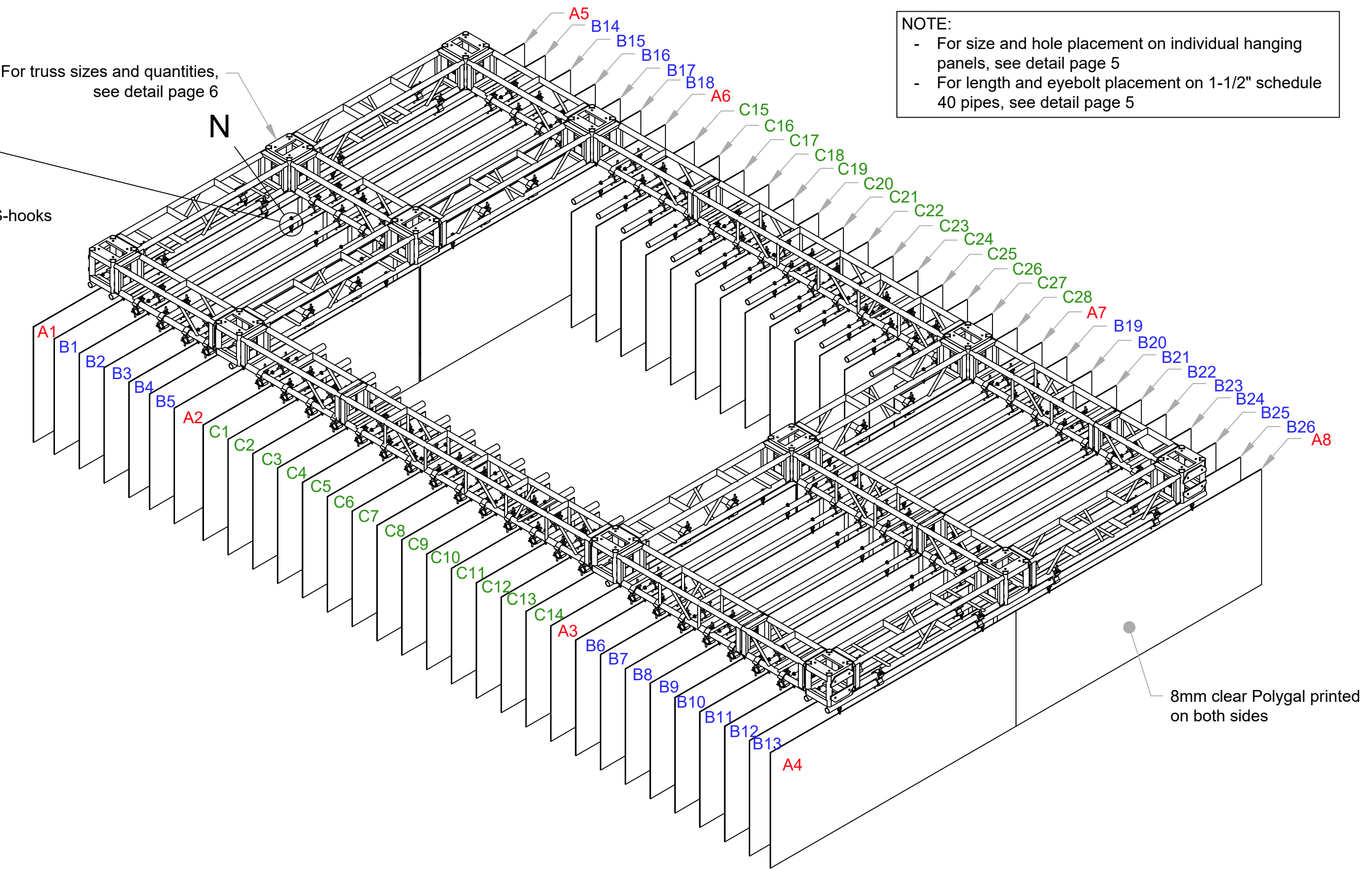
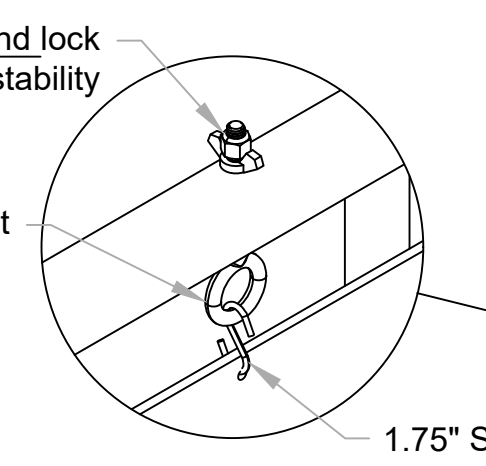


1 TOP
Scale: 3/8" = 1'-0"

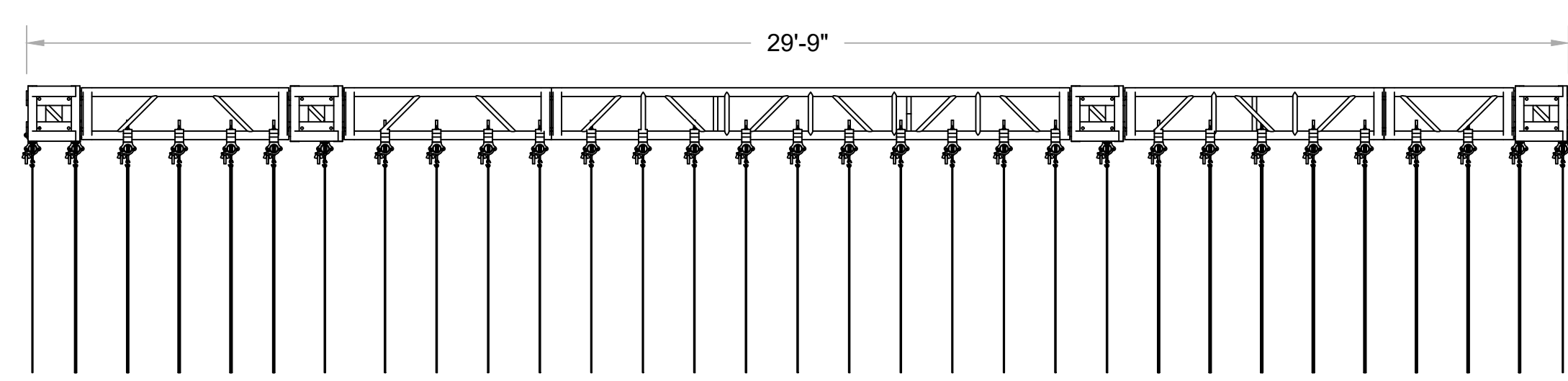
1-1/2" schedule 40 pipes are NOT regularly spaced apart; for locations relative to truss, see detail page 6

DETAIL N
SCALE 3" = 1'-0"

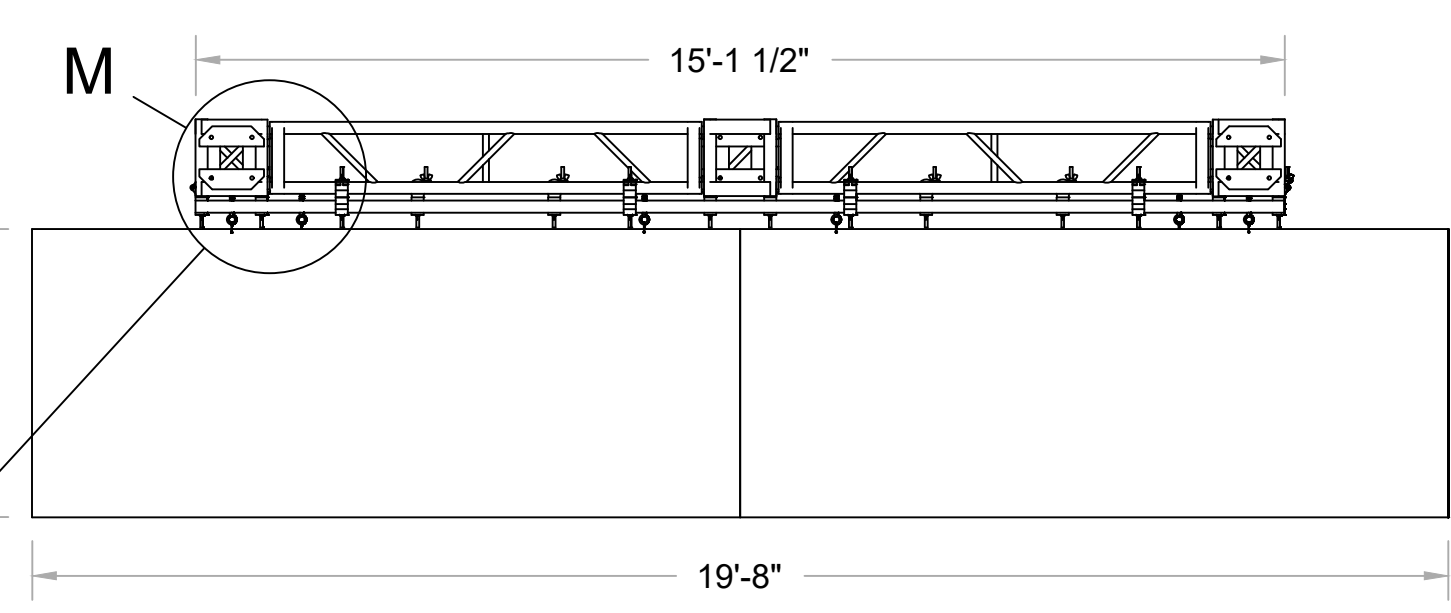


4 FRONT ISO
Scale: 3/8" = 1'-0"

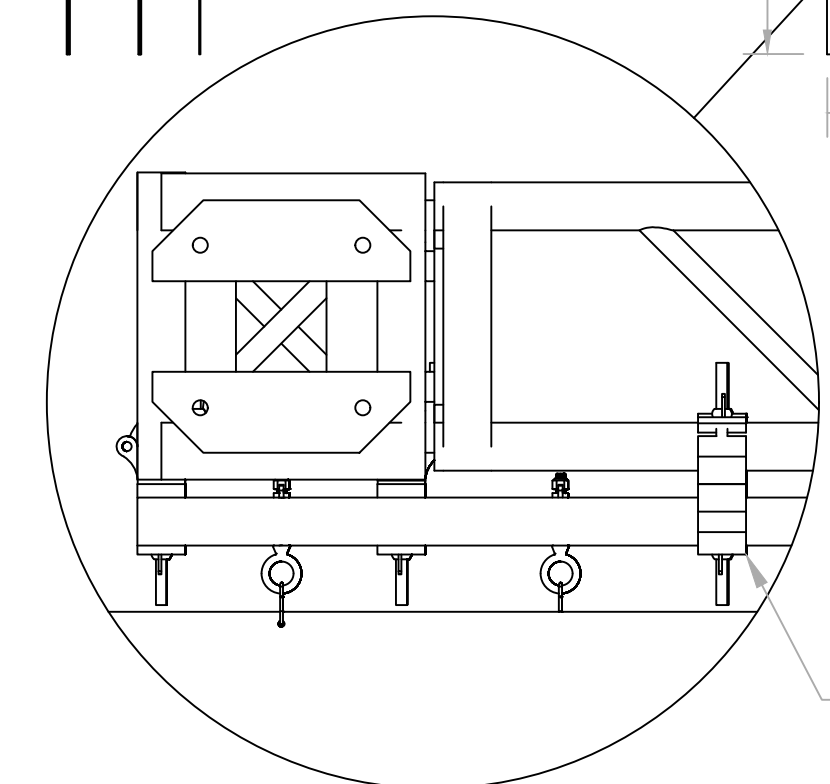
NOTE:
- For size and hole placement on individual hanging panels, see detail page 5
- For length and eyebolt placement on 1-1/2" schedule 40 pipes, see detail page 5



2 FRONT
Scale: 3/8" = 1'-0"



3 RIGHT
Scale: 3/8" = 1'-0"



DETAIL M
SCALE 1-1/2" = 1'-0"

1-1/2" schedule 40 pipe connects directly to truss with swivel cheeseboros

ACCESSORY ITEMS				
Qty	Part Number	Description	Length	Width
146	CHEESEBORO SWIVEL	CHEESEBOROUGH SWIVEL	N/A	N/A

OTHER ITEM TYPES				
Qty	Part Number	Description	Length	Width
124	S-HOOK 1.75IN	S-hook 1 3/4" x 1/8"	N/A	N/A
124	3/8"-16 X 3" EYEBOLT	3/8"-16 X 3" EYEBOLT	3"	N/A
124	3/8"-16 WING NUT	3/8"-16 WING NUT	N/A	N/A
124	3/8"-16 LOCK NUT	3/8"-16 LOCK NUT	N/A	N/A