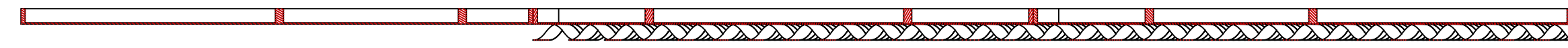
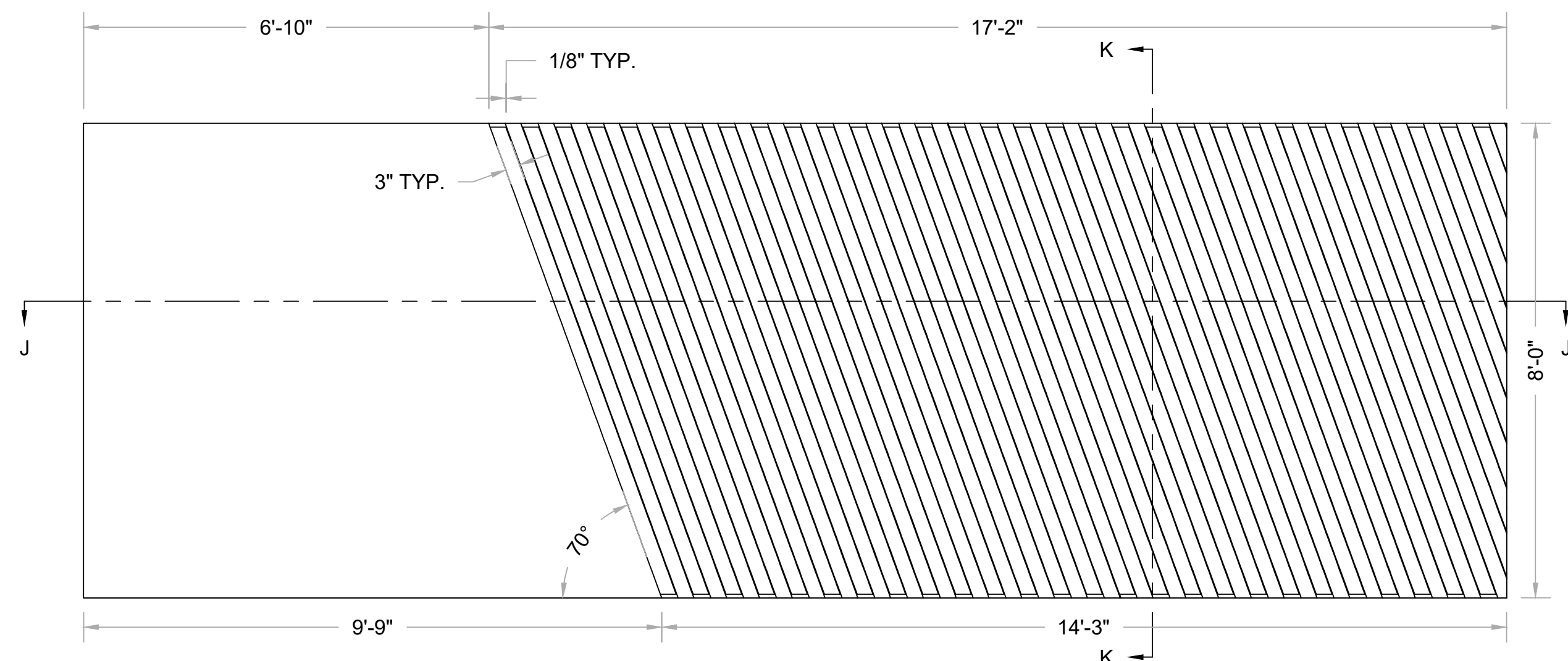


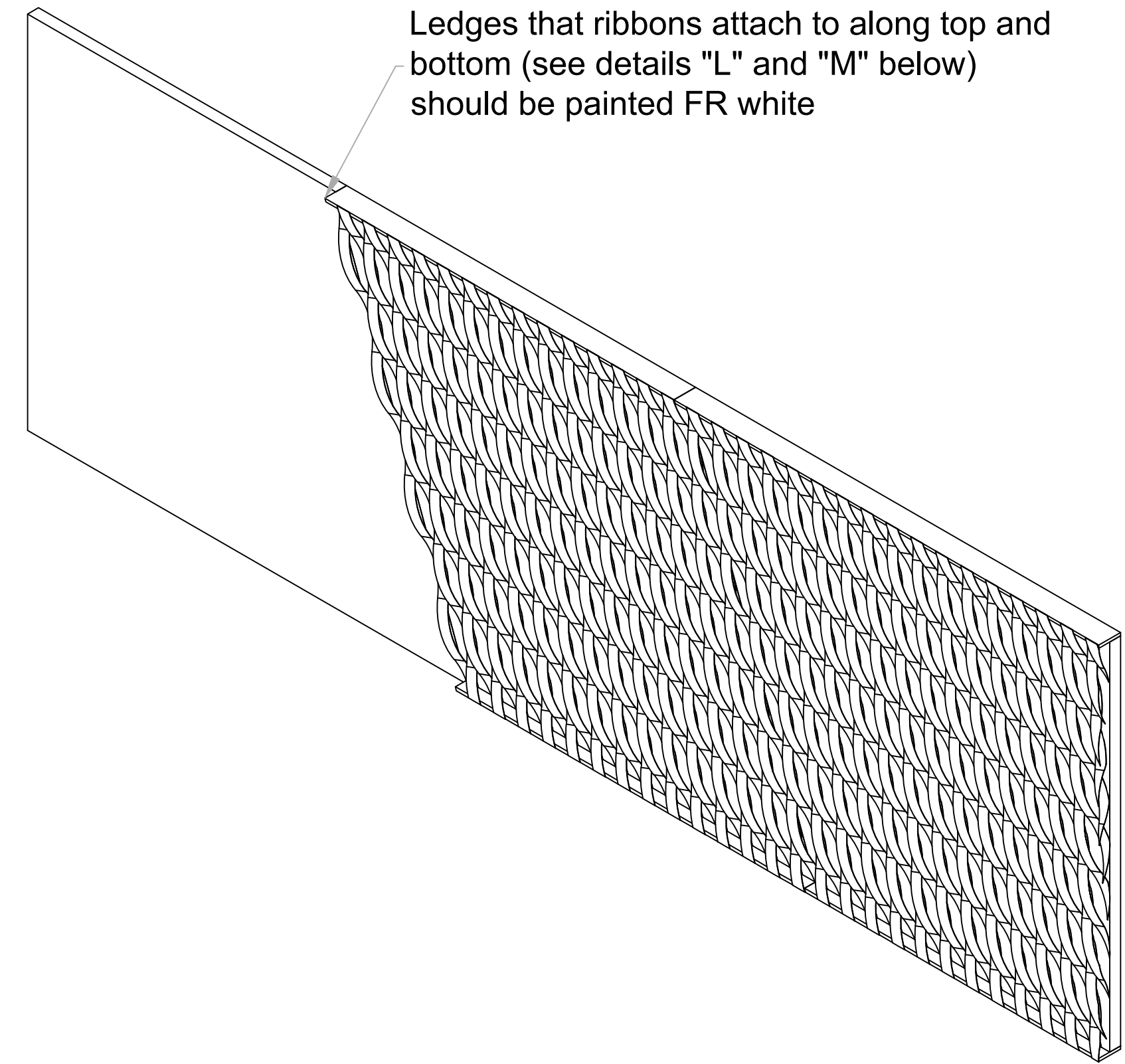
- NOTES**
- Walls are standard flats wrapped in banner material (see page 5)
 - "Ribbons" are 3" wide strips of 0.03" thick Styrene with 1/8" gaps between them



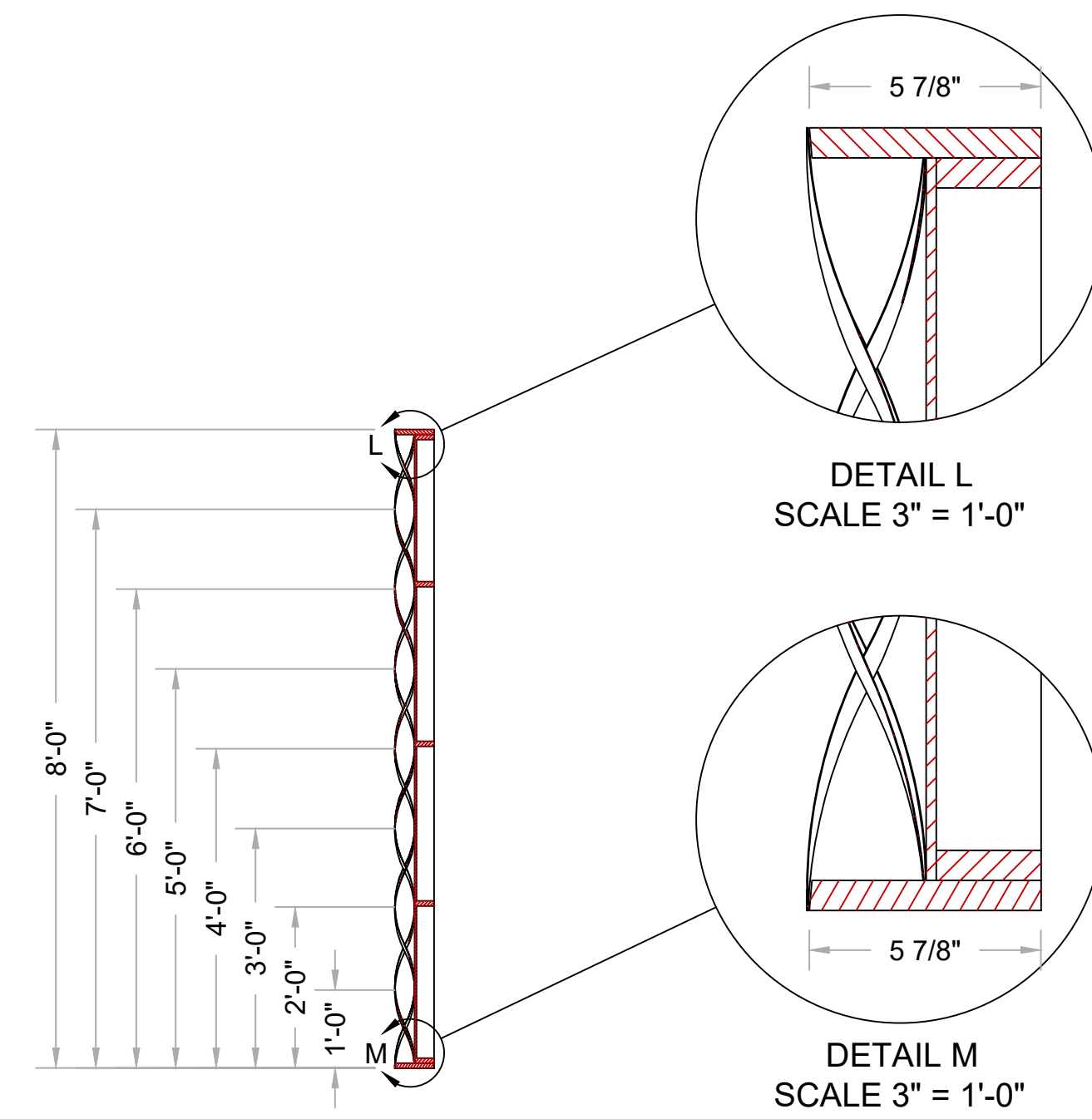
1 SECTION J-J
SCALE 1/2" = 1'-0"



2 FRONT
Scale: 1/2" = 1'-0"



4 FRONT ISO
Scale: NTS



3 SECTION K-K
SCALE 1/2" = 1'-0"