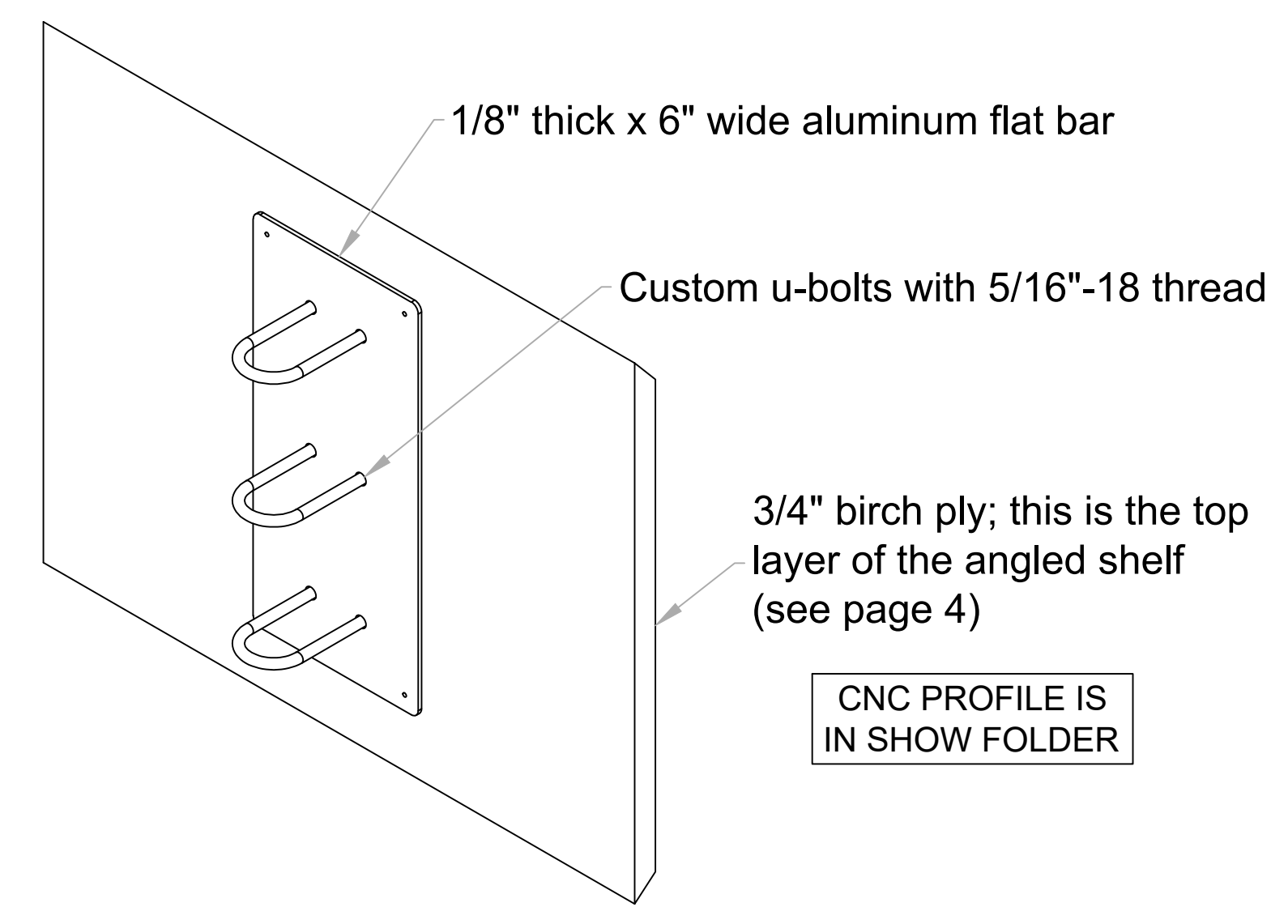
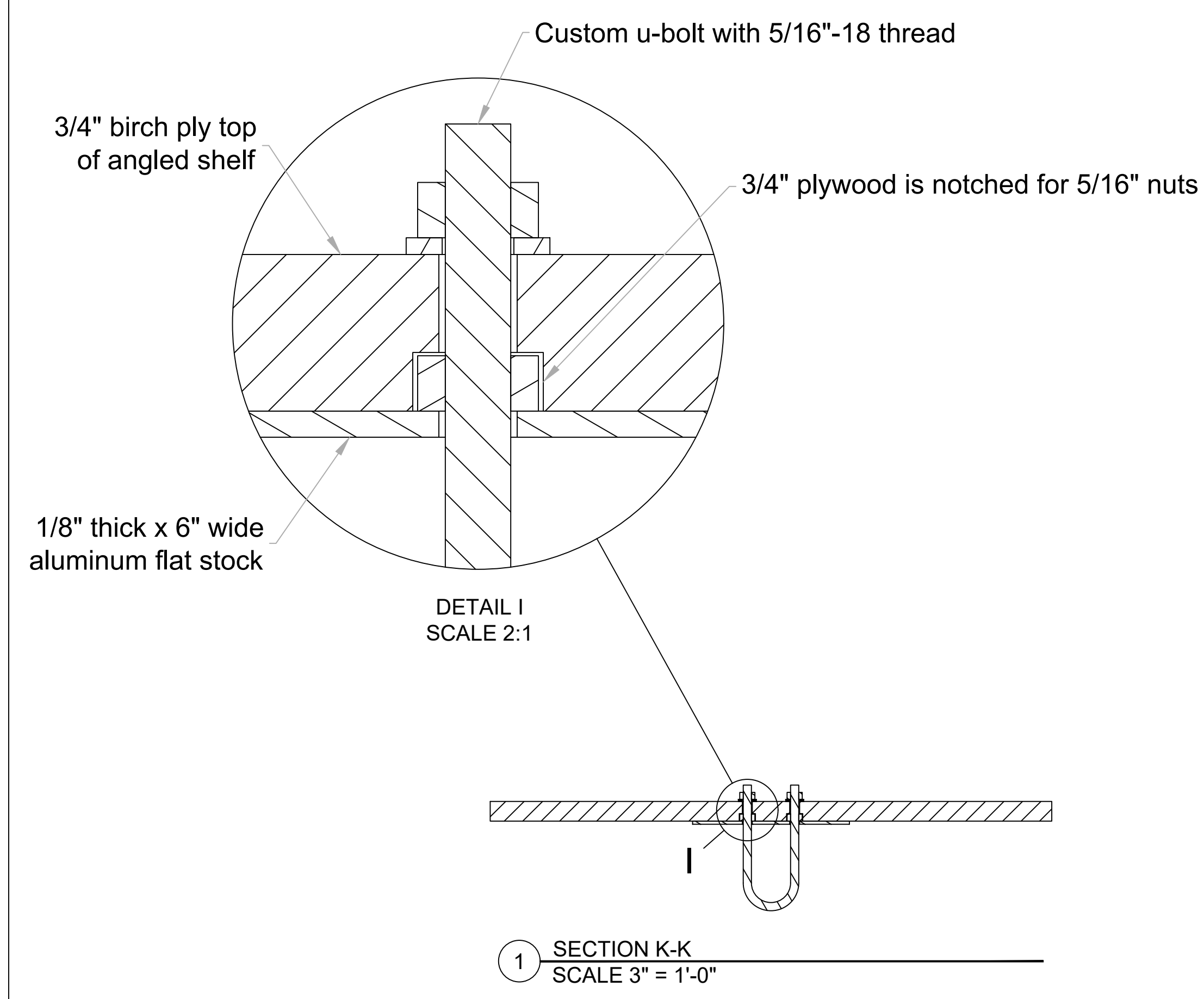
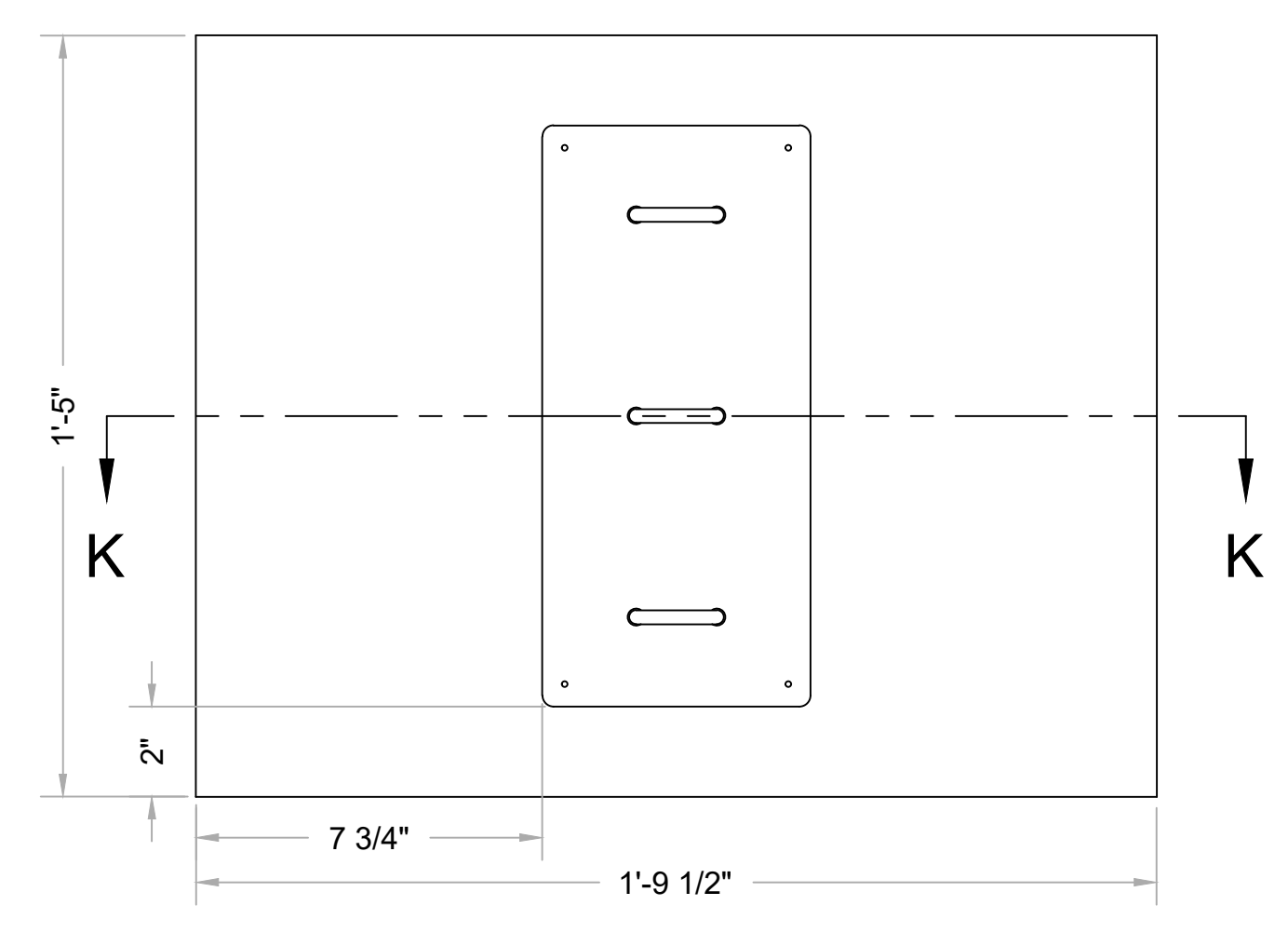


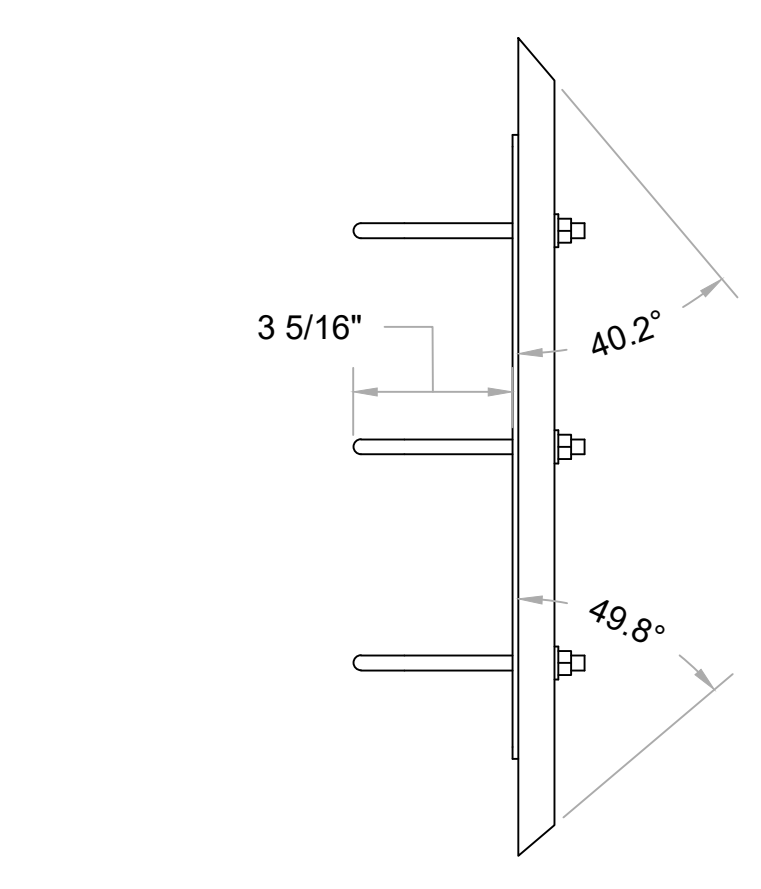
# PANEL 3 FLIP BOOK SPINE



4 FRONT ISO  
Scale: NTS

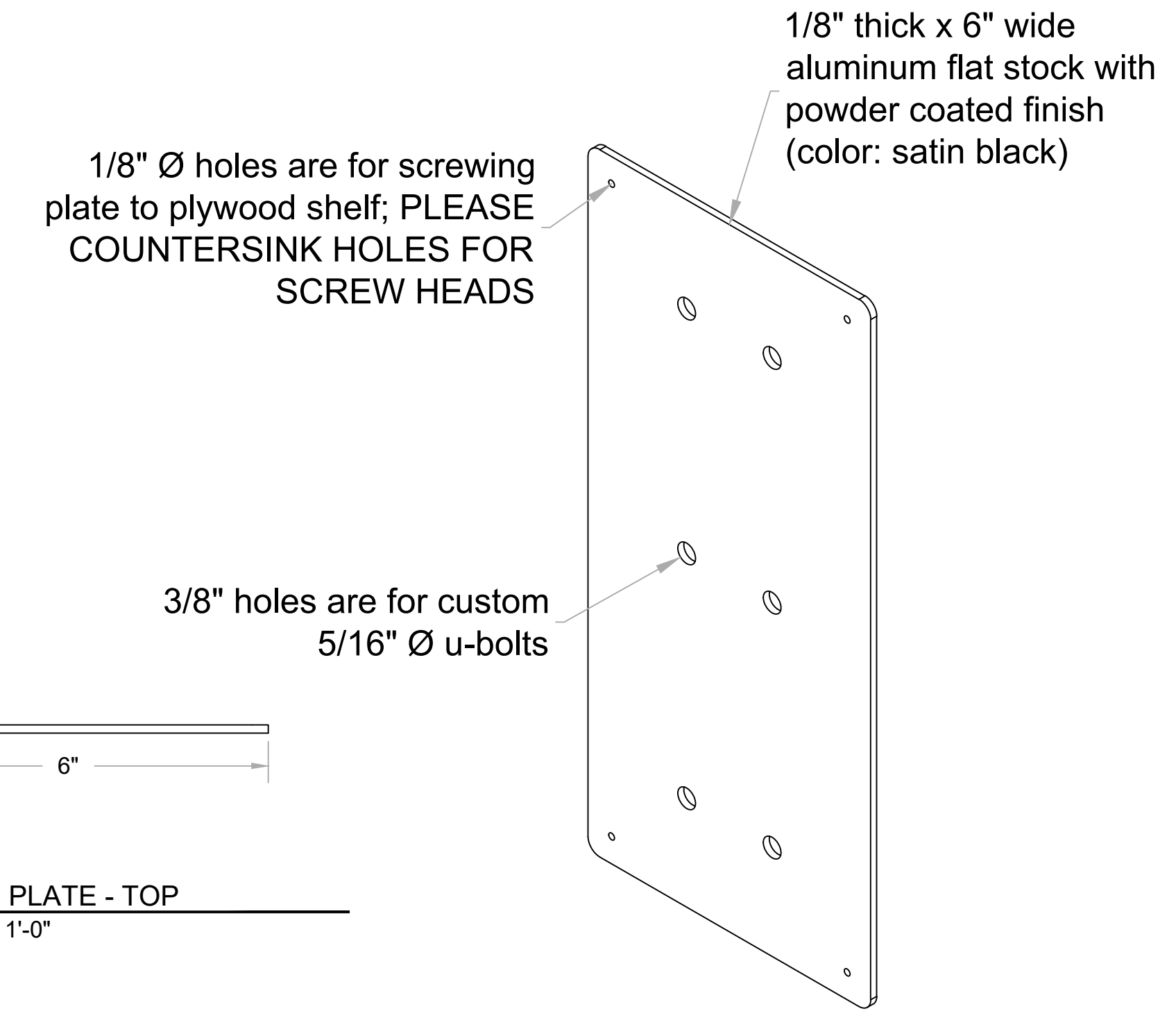


2 FRONT  
Scale: 3" = 1'-0"



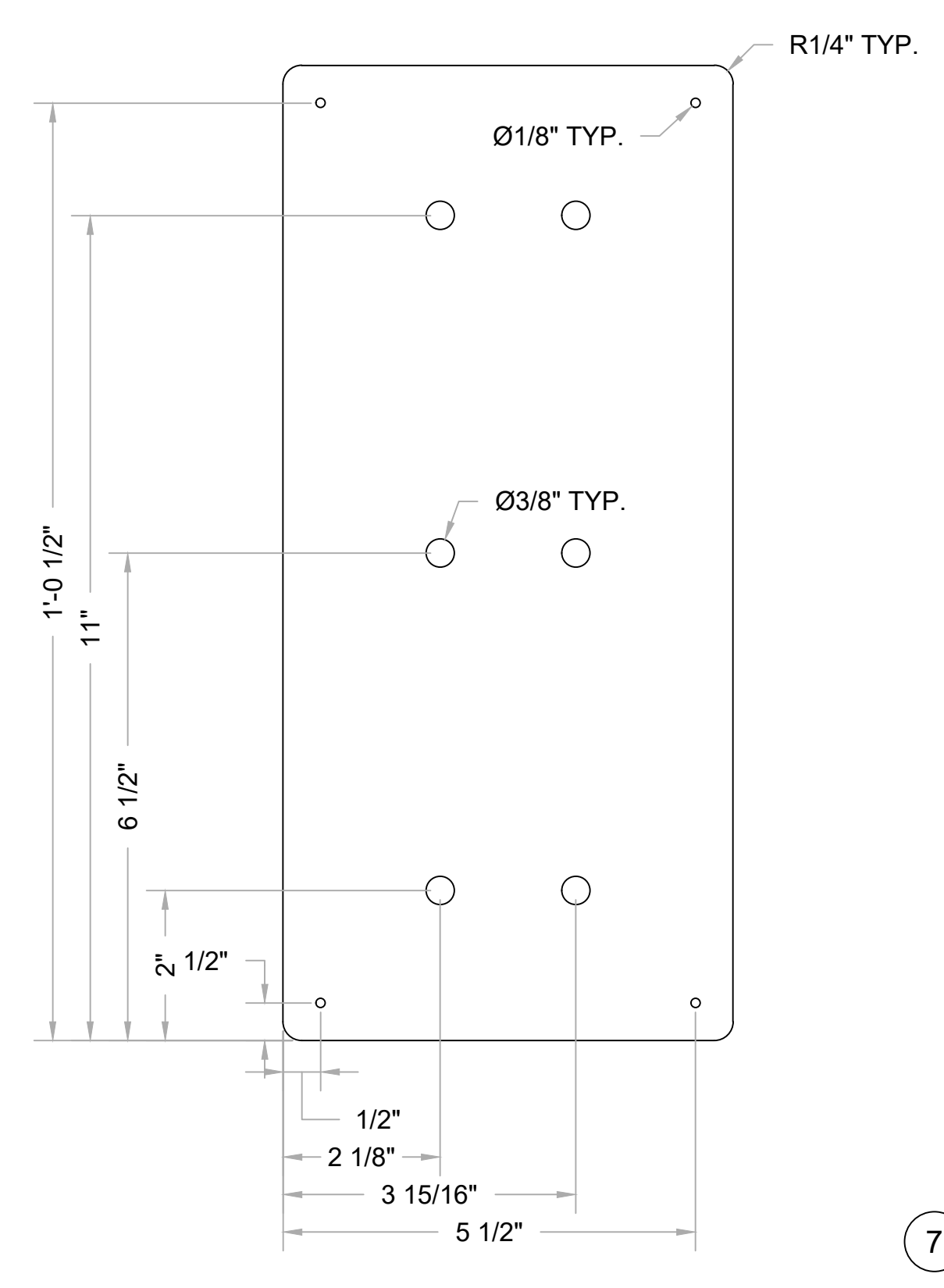
3 RIGHT  
Scale: 3" = 1'-0"

Note:  
- Aluminum plate is water jet cut



5 ALUMINUM PLATE - TOP  
Scale: 6" = 1'-0"

8 ALUMINUM PLATE - FRONT ISO  
Scale: NTS



6 ALUMINUM PLATE - FRONT  
Scale: 6" = 1'-0"

7 ALUMINUM PLATE - RIGHT  
Scale: 6" = 1'-0"