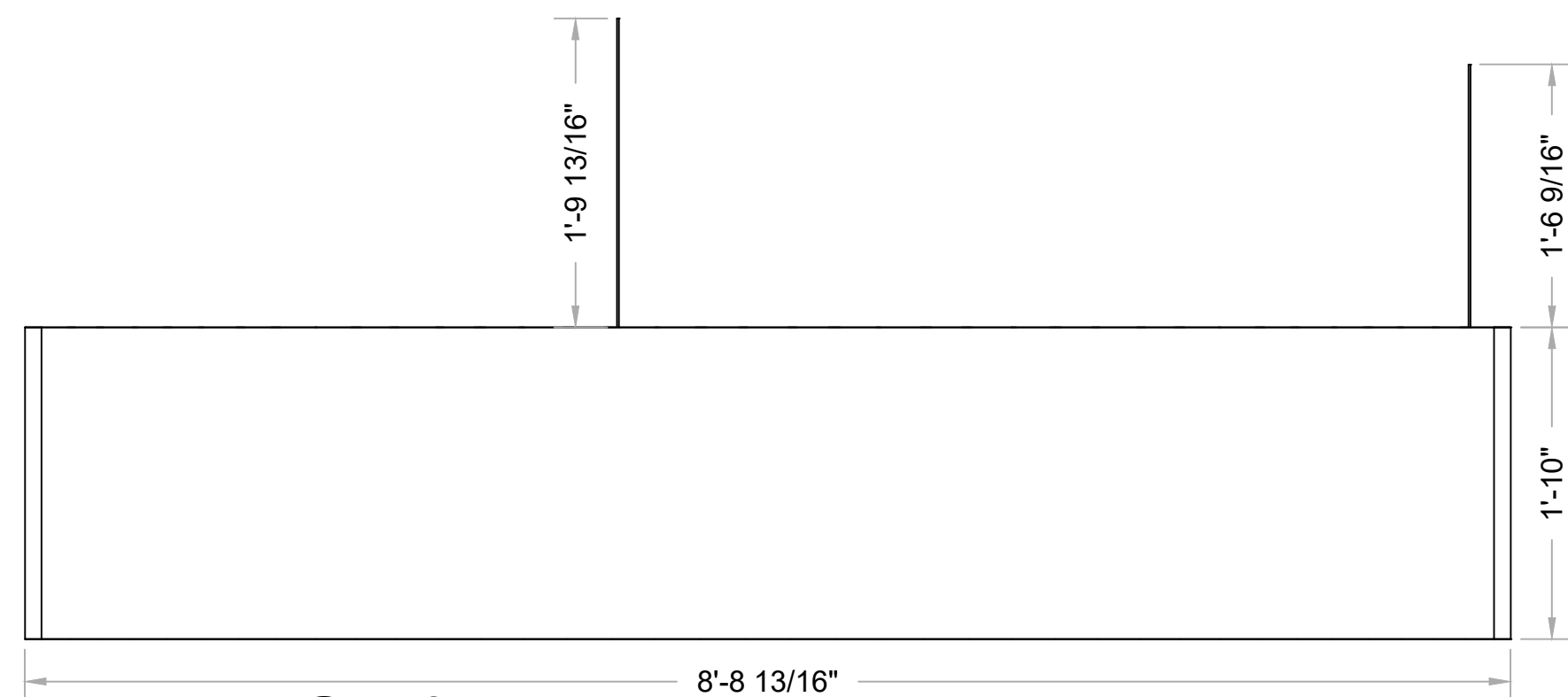
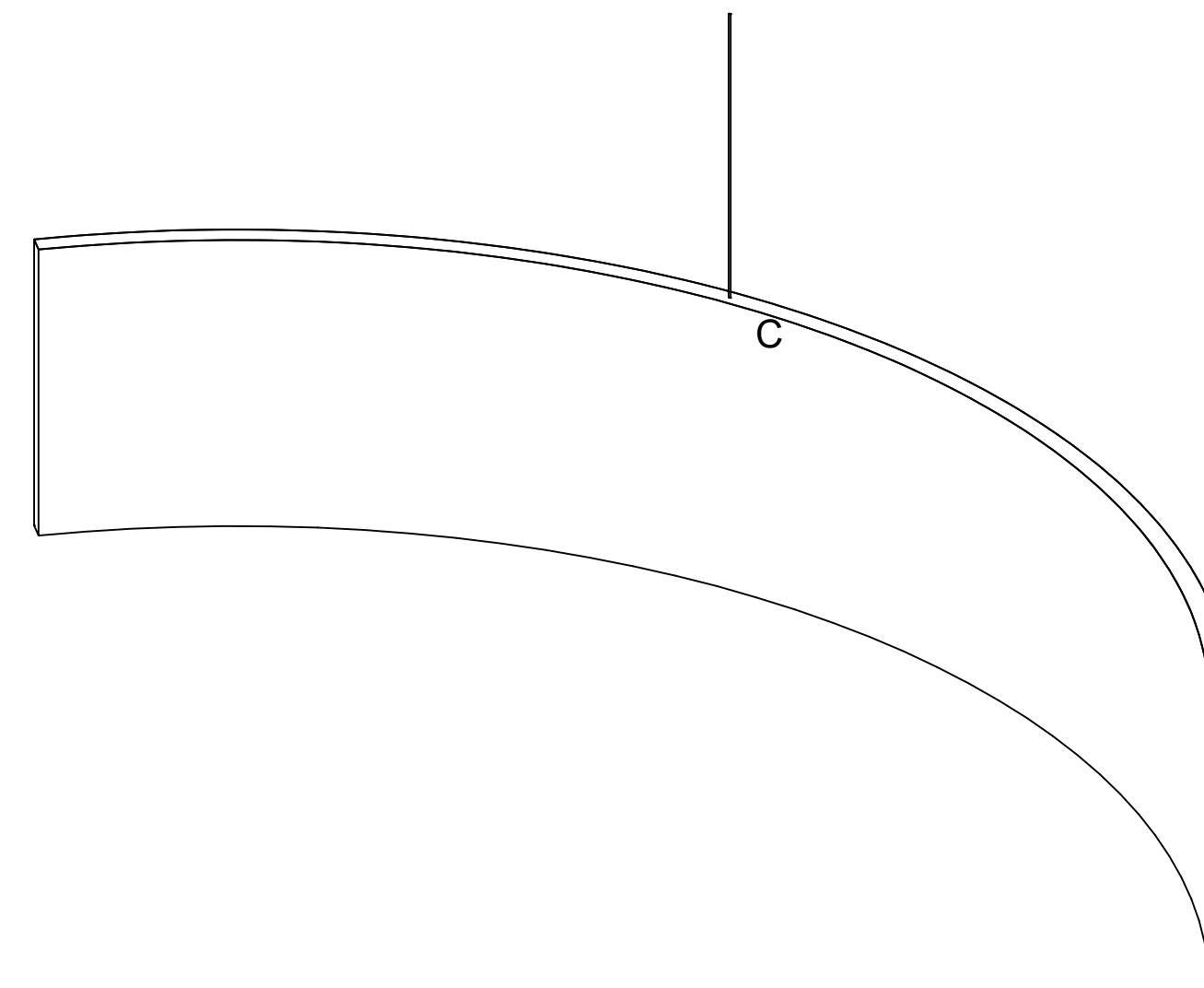


1 TOP  
Scale: 1" = 1'-0"

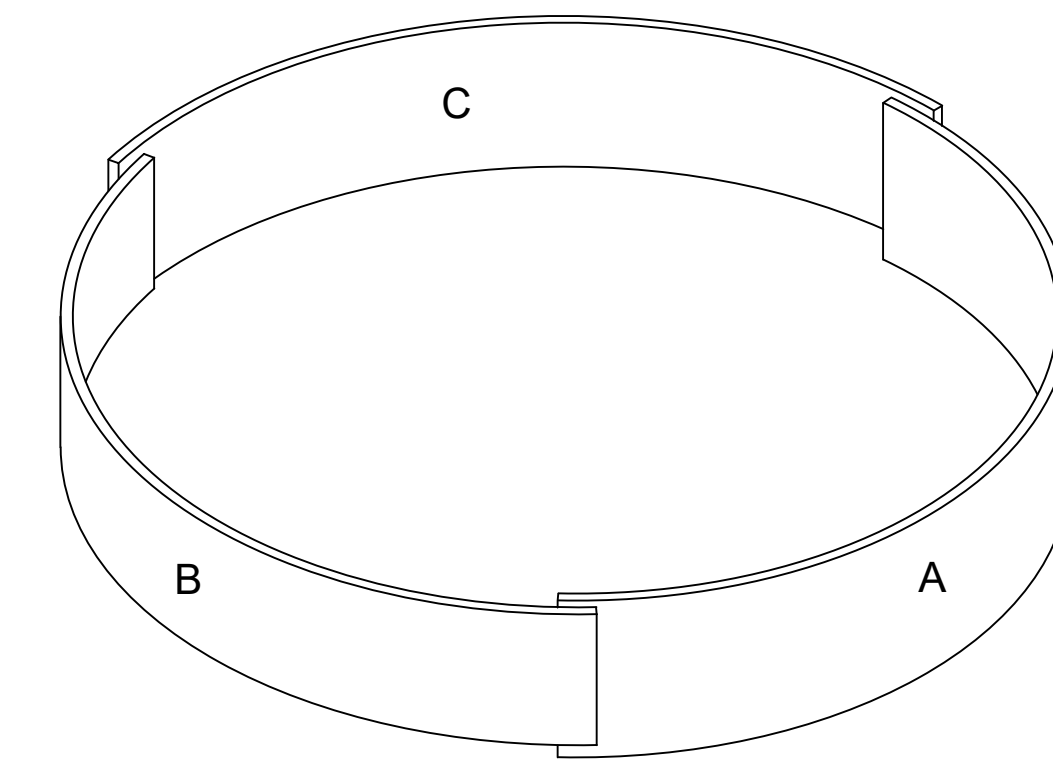
NOTES  
- Cable lengths are NOT the same



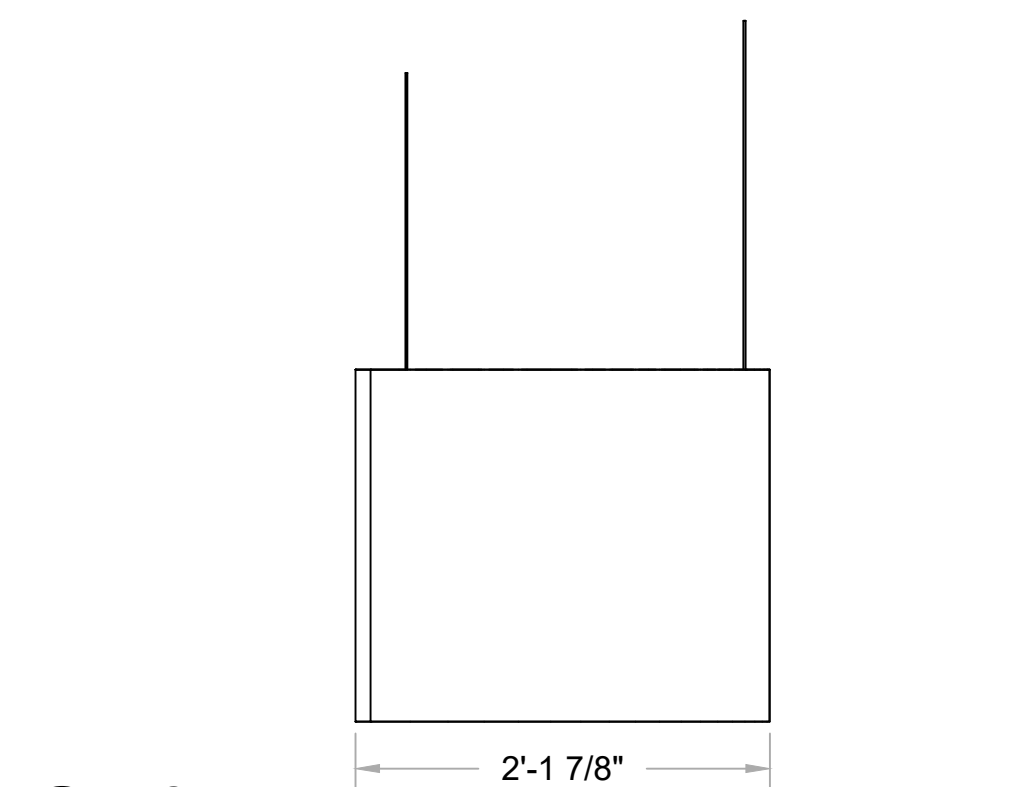
2 FRONT  
Scale: 1" = 1'-0"



4 FRONT ISO  
Scale: NTS



5 FRONT ISO - ASSEMBLED  
Scale: NTS



3 RIGHT  
Scale: 1" = 1'-0"