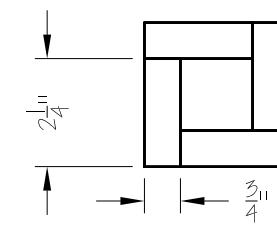
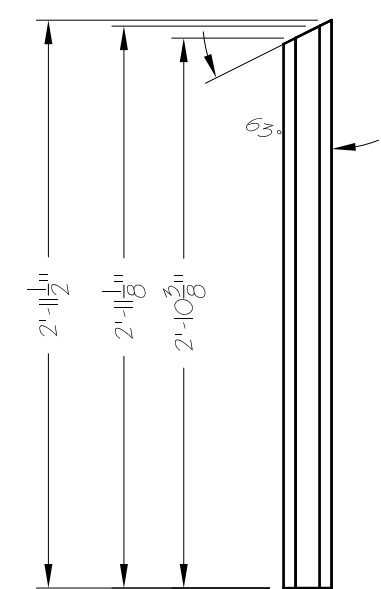


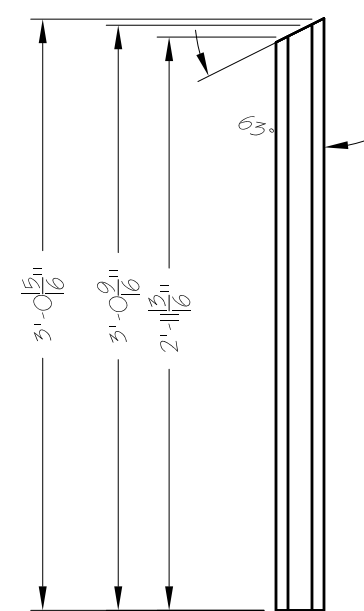
1  
108  
ESCAPE STAIR RAILING - UPRIGHT 1 TOP VIEW 3" = 1'-0"  
BUILD 4



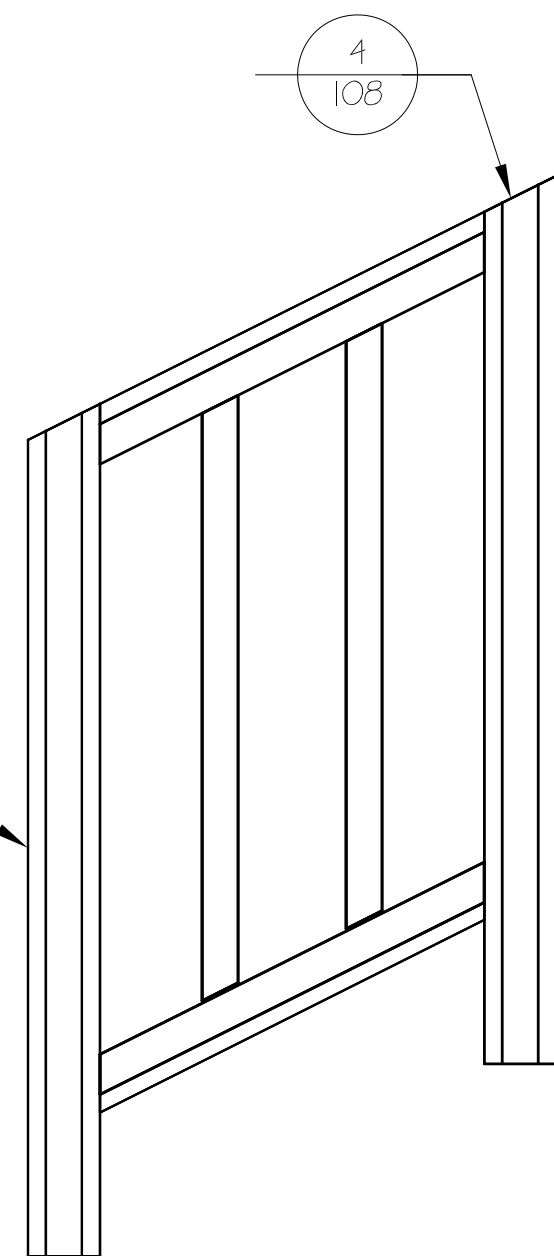
2  
108  
ESCAPE STAIR RAILING - UPRIGHT 2 TOP VIEW 3" = 1'-0"  
BUILD 4



3  
108  
ESCAPE STAIR RAILING - UPRIGHT 1 FRONT VIEW 1" = 1'-0"  
BUILD 4

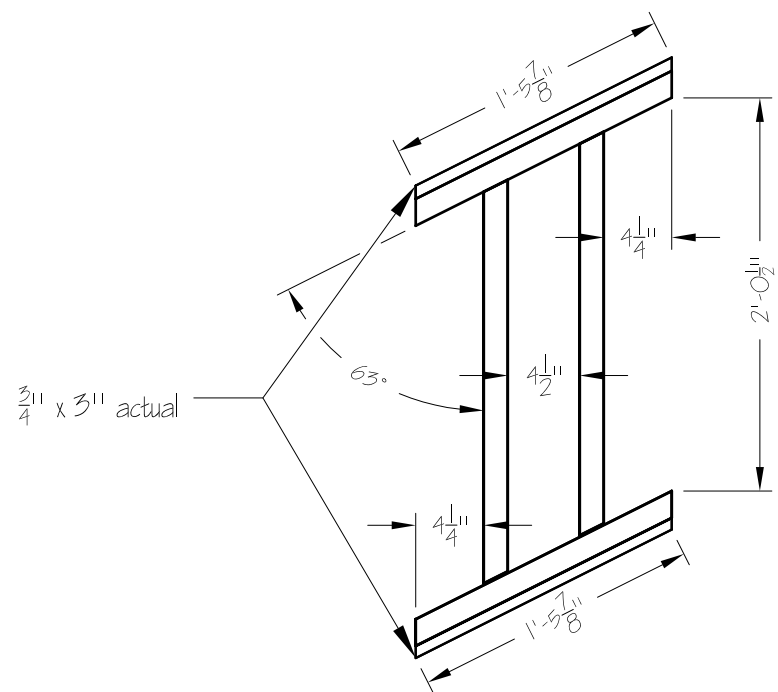


4  
108  
ESCAPE STAIR RAILING - UPRIGHT 2 FRONT VIEW 1" = 1'-0"  
BUILD 4

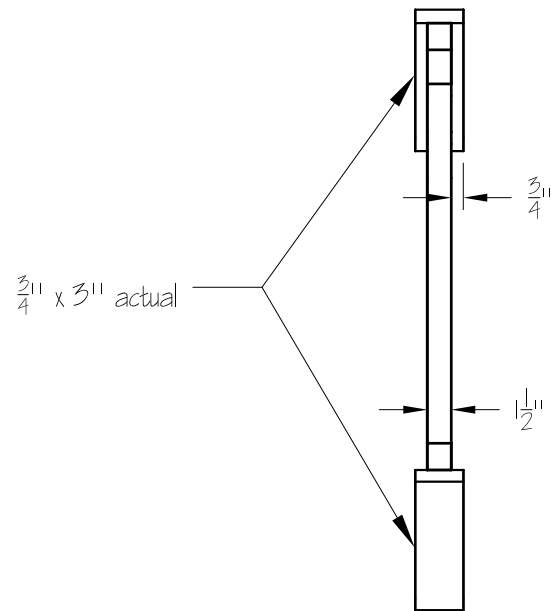


3  
108

4  
108



5  
108  
INTERNAL MEMBERS OF STAIR RAILING - FRONT AND SIDE VIEWS 1" = 1'-0"  
BUILD 4  
UNLESS SPECIFIED, MATERIAL IS 1 1/2" X 1 1/2" ACTUAL.



6  
108  
ESCAPE STAIR RAILING - ASSEMBLED 1 1/2" = 1'-0"  
BUILD 4

NOTES:  
ASSEMBLE WITH GLUE AND FINISH NAILS,  
PUTTY ALL HOLES AND SAND.

Director: JEREMY WILLIAMS  
Scenic Designer: HEATHER ROBERSON  
Technical Director: PHIL BRULOTTE  
Assistant Technical Director: ELISE MASUR  
Scale: AS SHOWN

TWO GENTLEMEN OF VERONA  
ESCAPE STAIR RAILING

Plate Number:  
108