

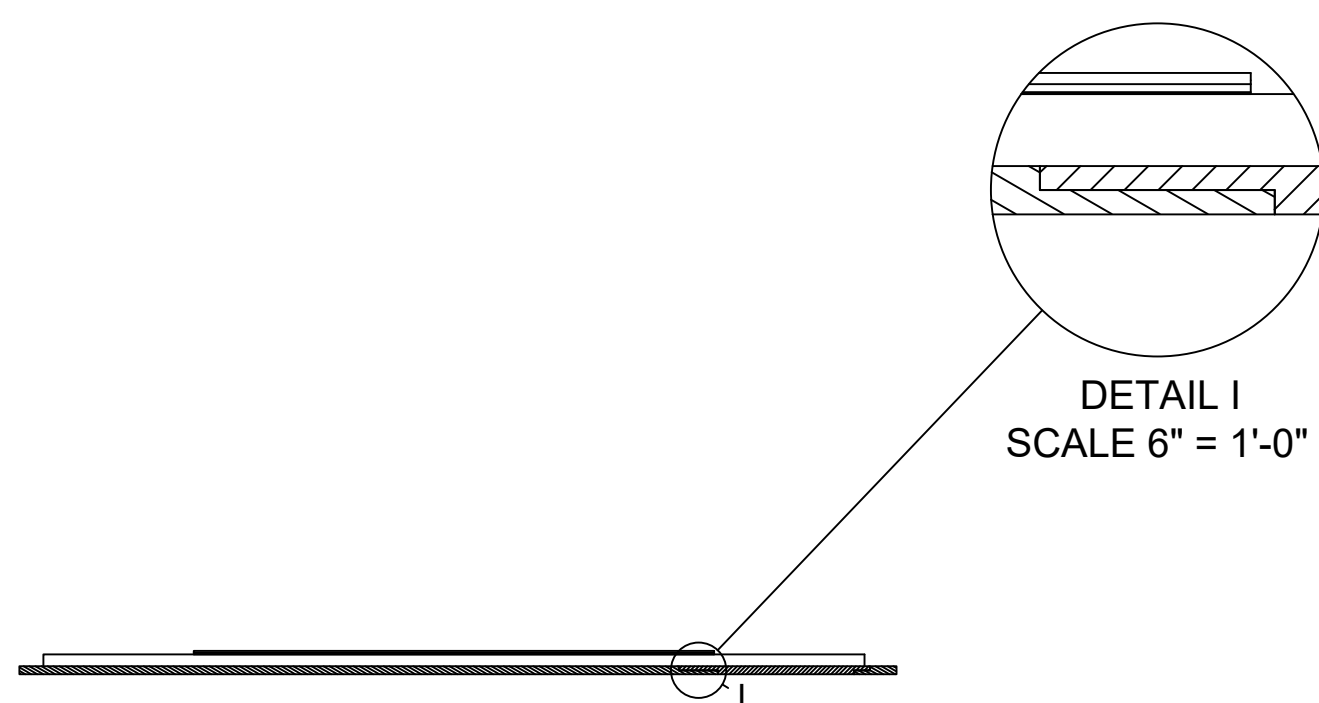
PANEL 7 REMOVABLE PANEL DETAIL

CNC PROFILE IS
IN SHOW FOLDER

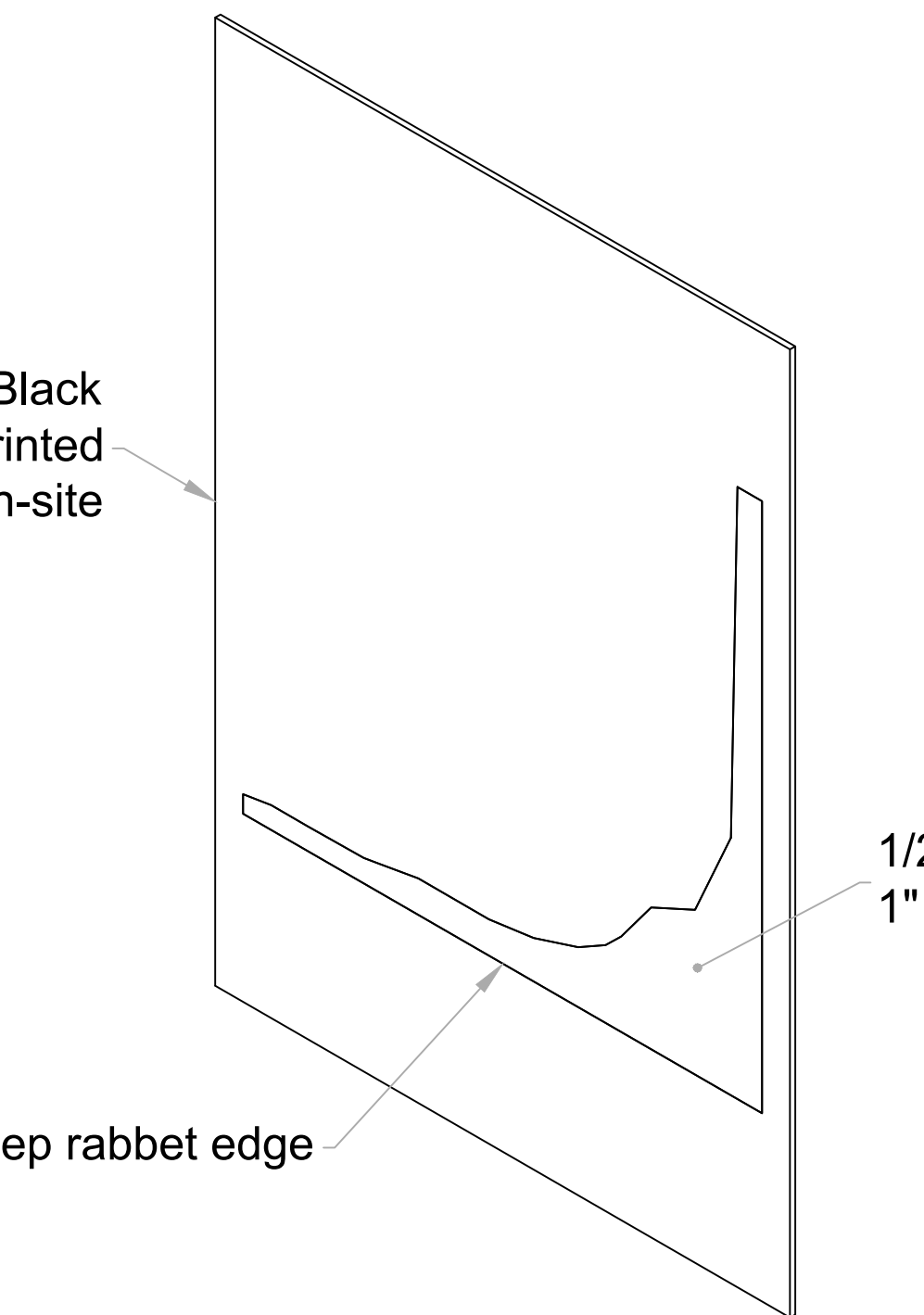
1/2" MDO skin, Formica 909-58 Black laminated finish on front and back; printed vinyl overlay graphics to be applied on-site

1/2" digital acrylic printed second surface with
1" wide x 1/4" deep rabbet edge

Opening in 1/2" MDO has 1" wide x 1/4" deep rabbet edge

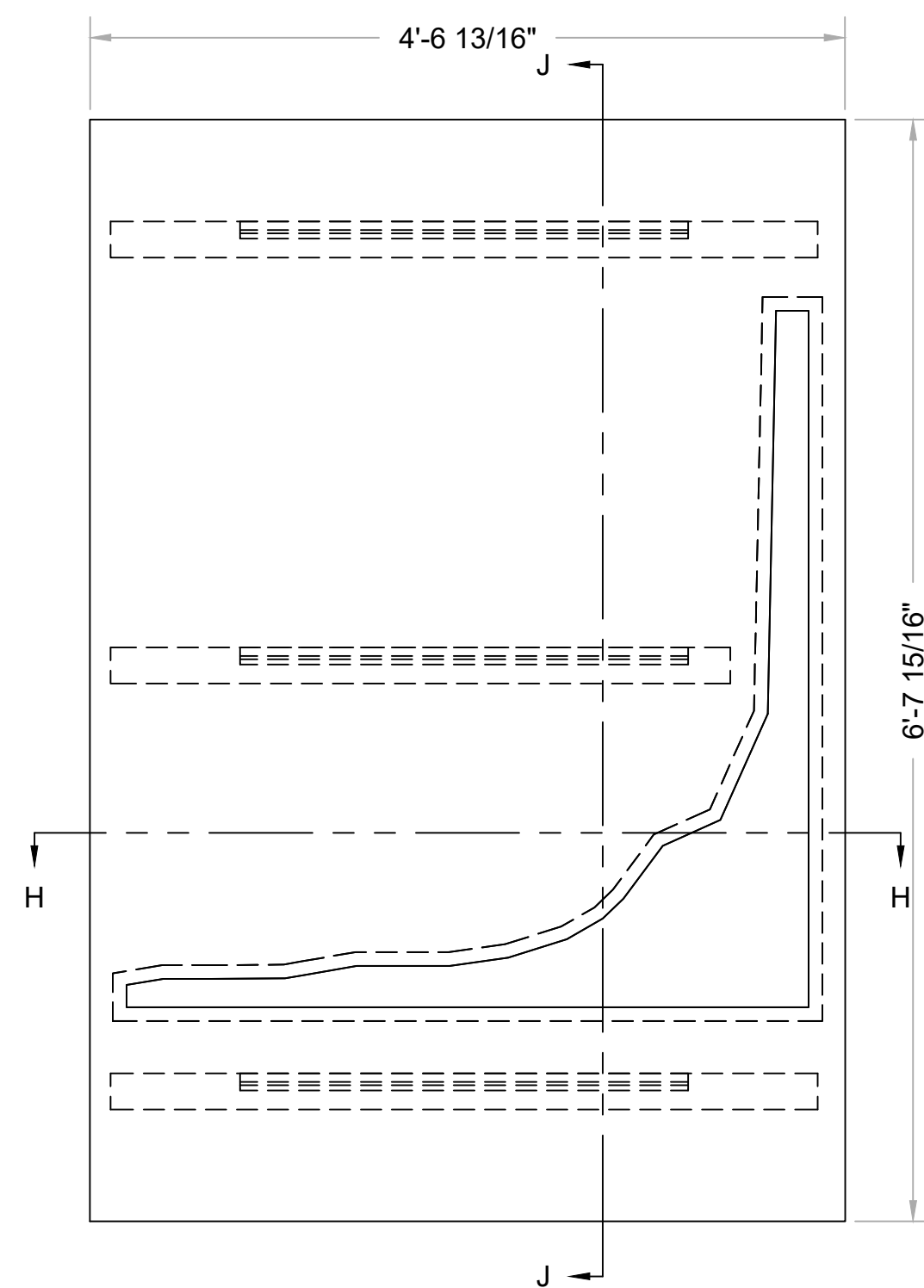


1 SECTION H-H
SCALE 1" = 1'-0"

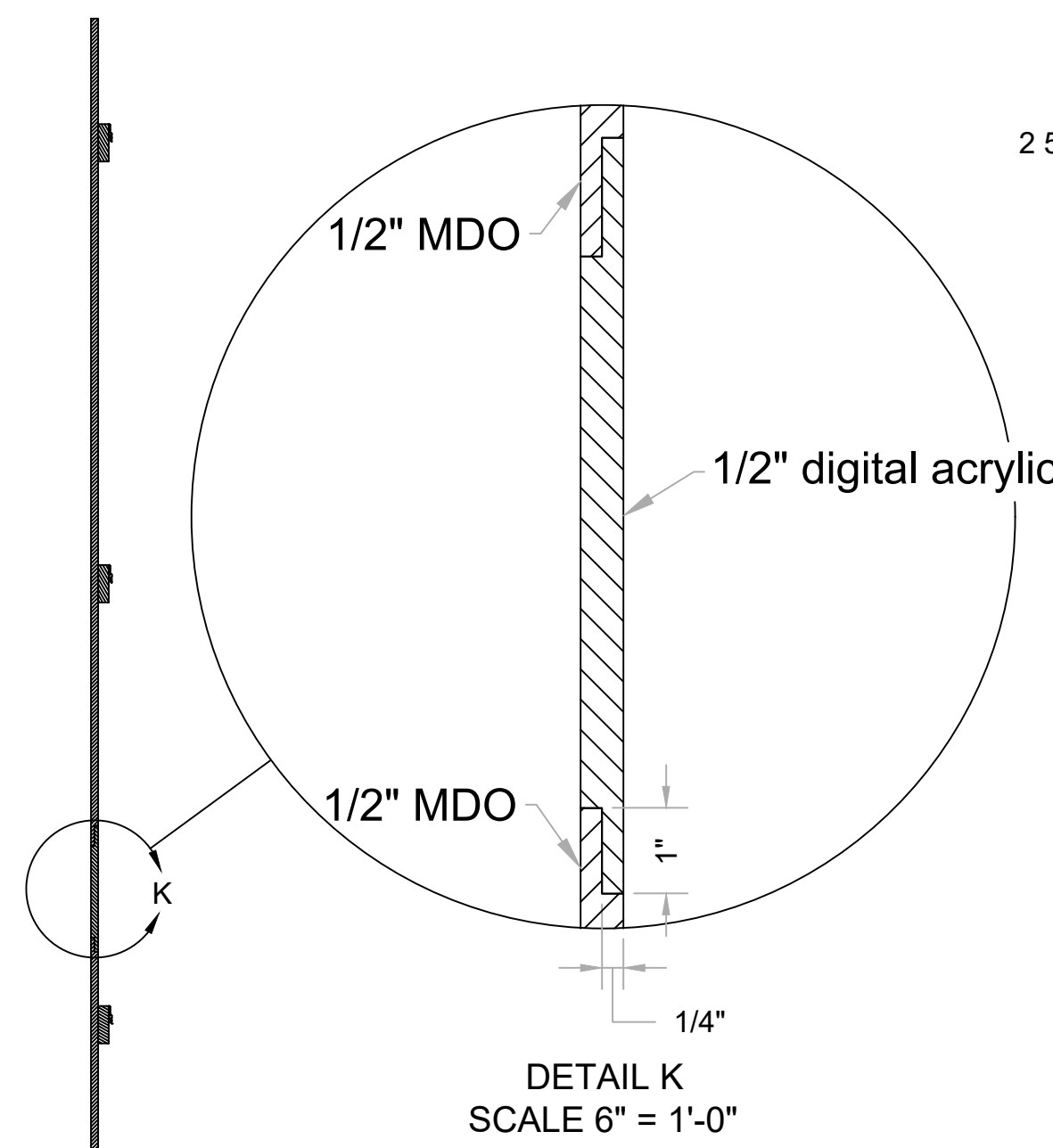


5 FRONT ISO
Scale: NTS

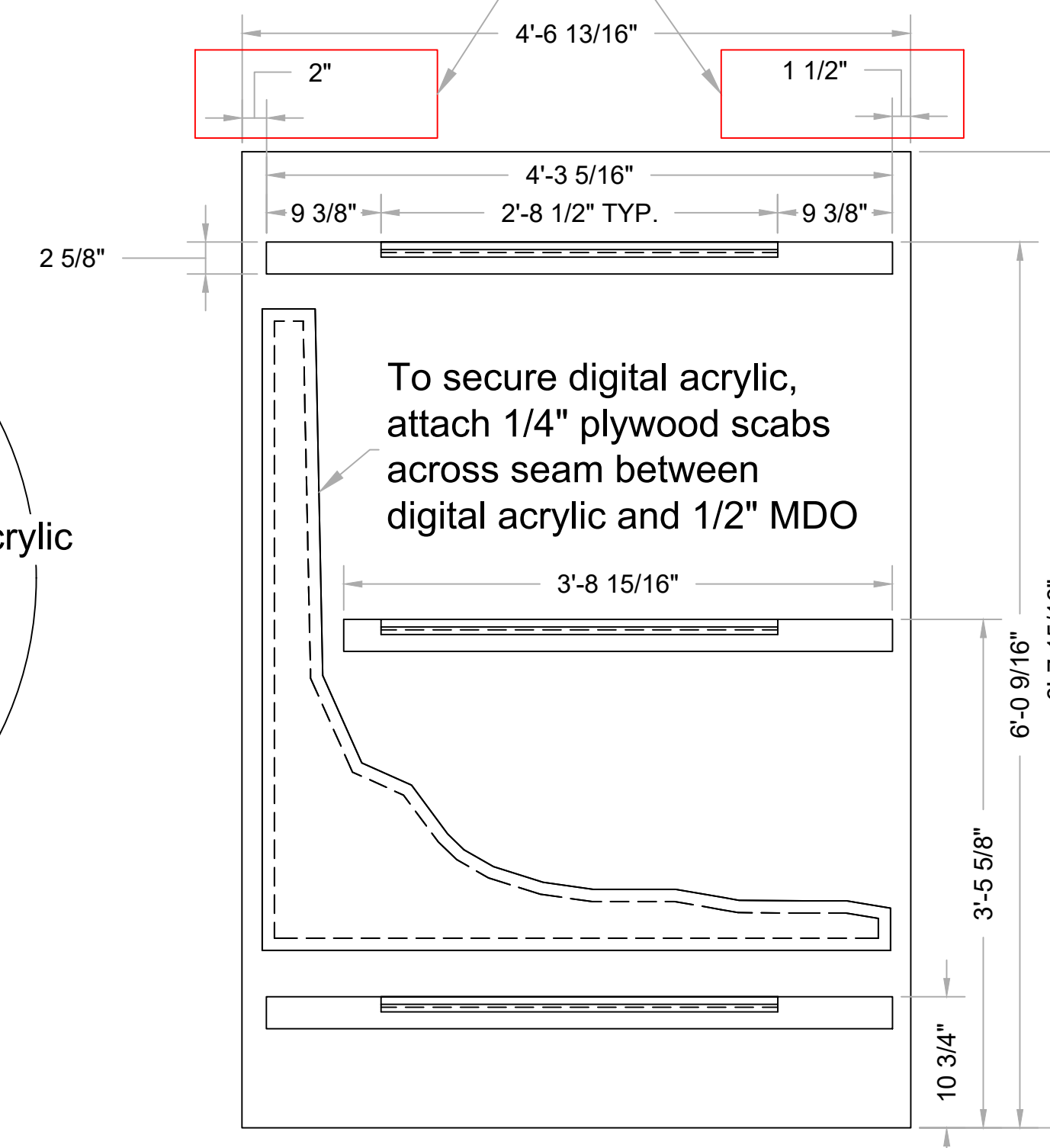
These dimensions are NOT identical; this is intentional because the skin overhangs the frame by 1/2" on one side to cap the edge of the return piece (see page 3)



2 FRONT WITH HIDDEN LINES
Scale: 1" = 1'-0"



3 SECTION J-J
SCALE 1" = 1'-0"



4 BACK WITH HIDDEN LINES
Scale: 1" = 1'-0"