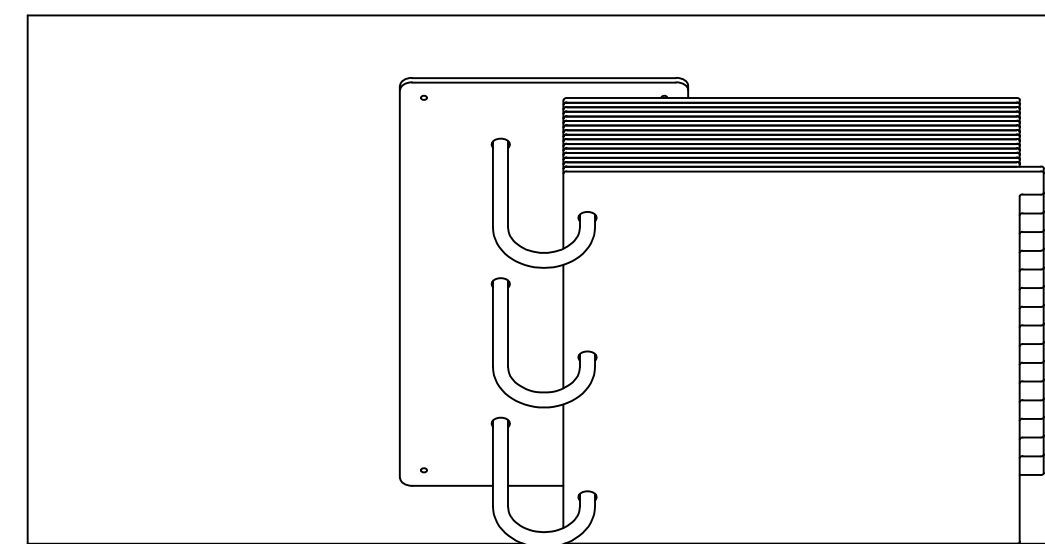
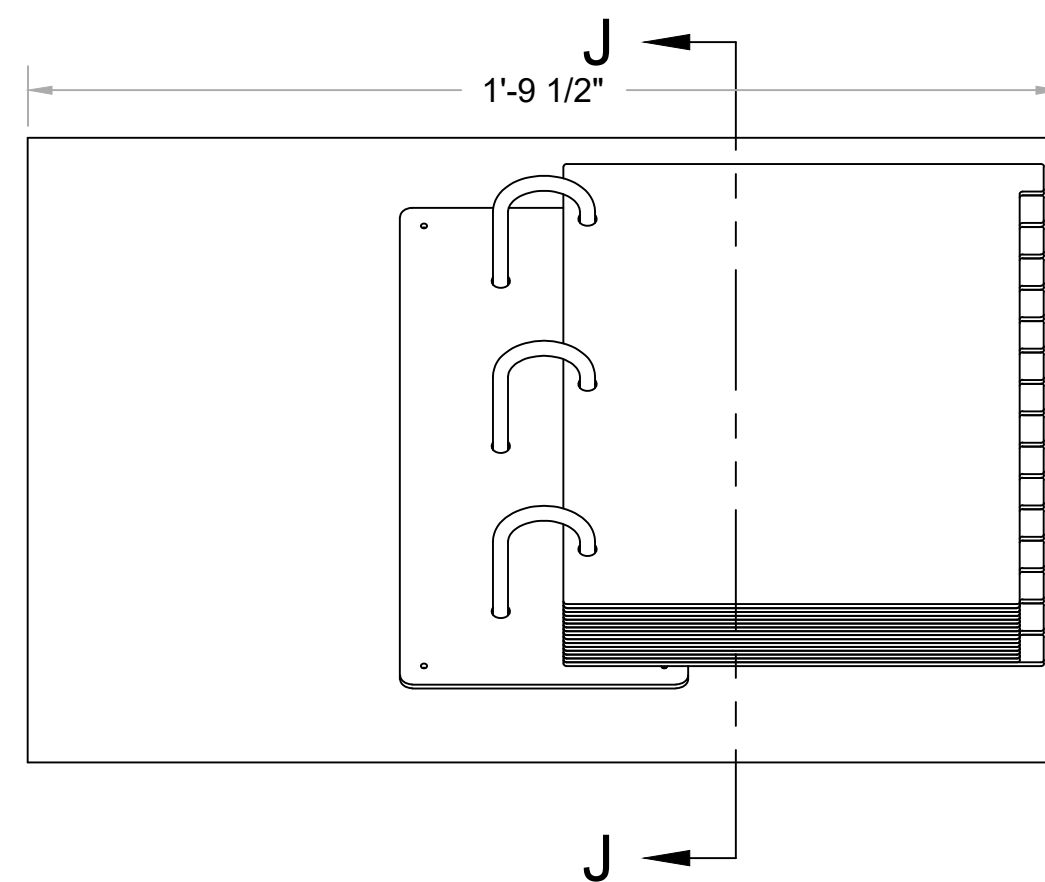


PANEL 3 FLIP BOOK OVERALL

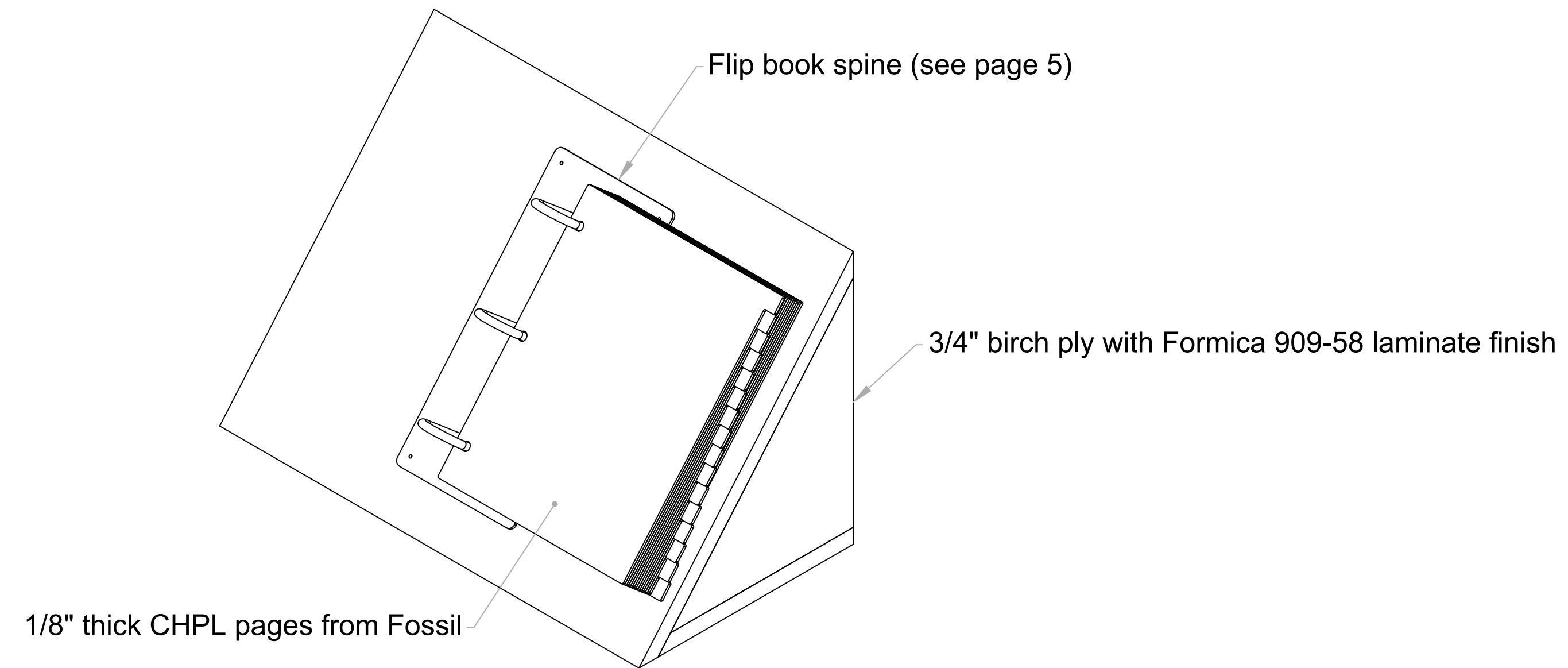
CNC PROFILE IS IN
SHOW FOLDER



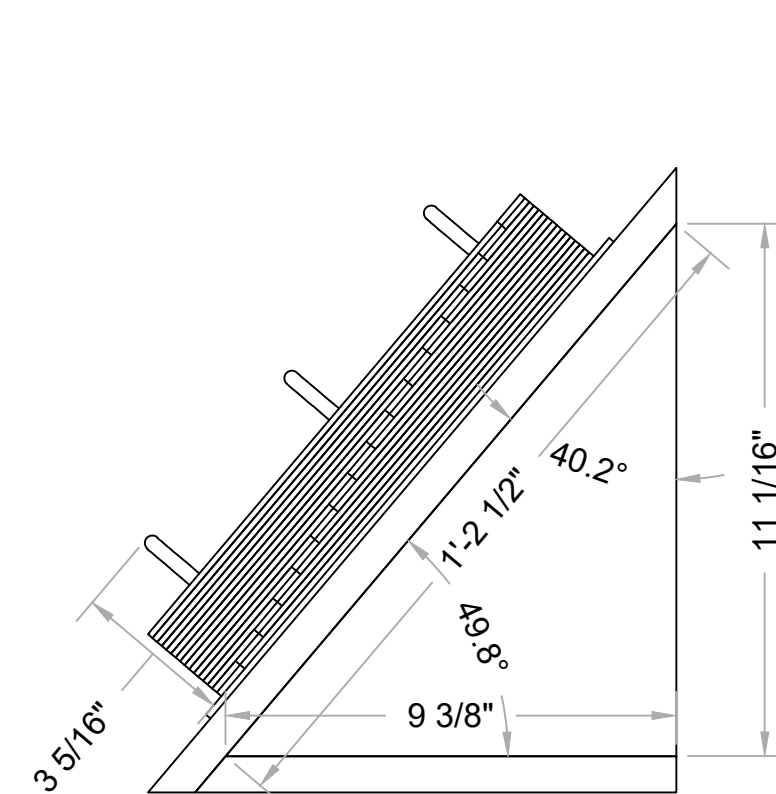
1 TOP
Scale: 3" = 1'-0"



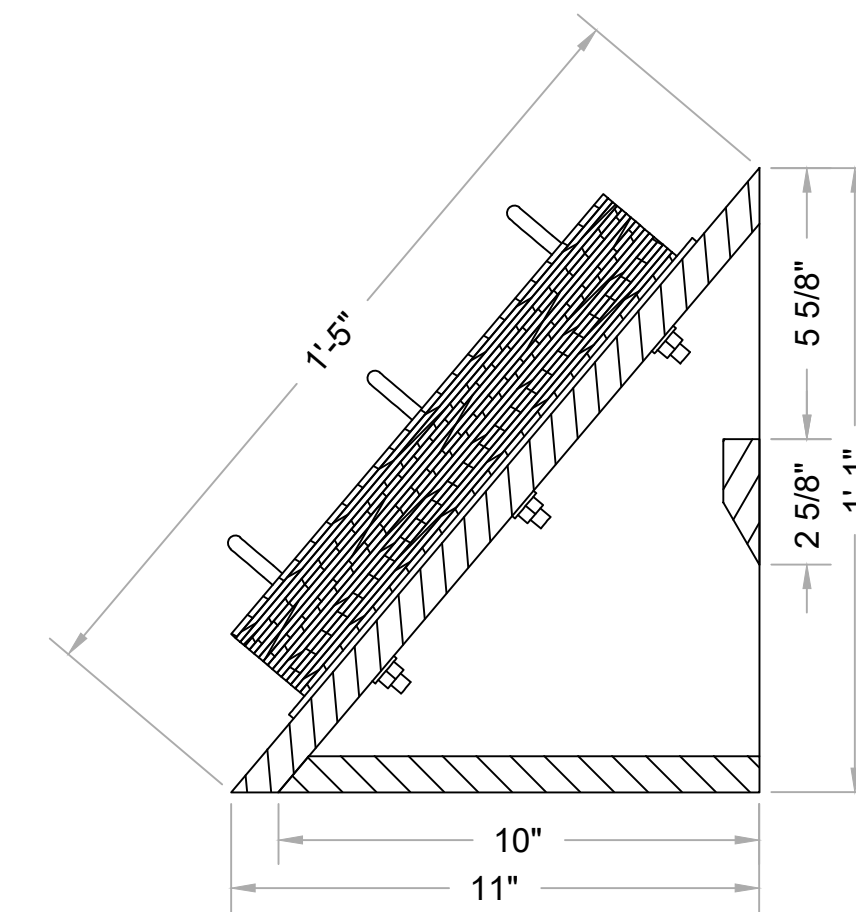
2 FRONT
Scale: 3" = 1'-0"



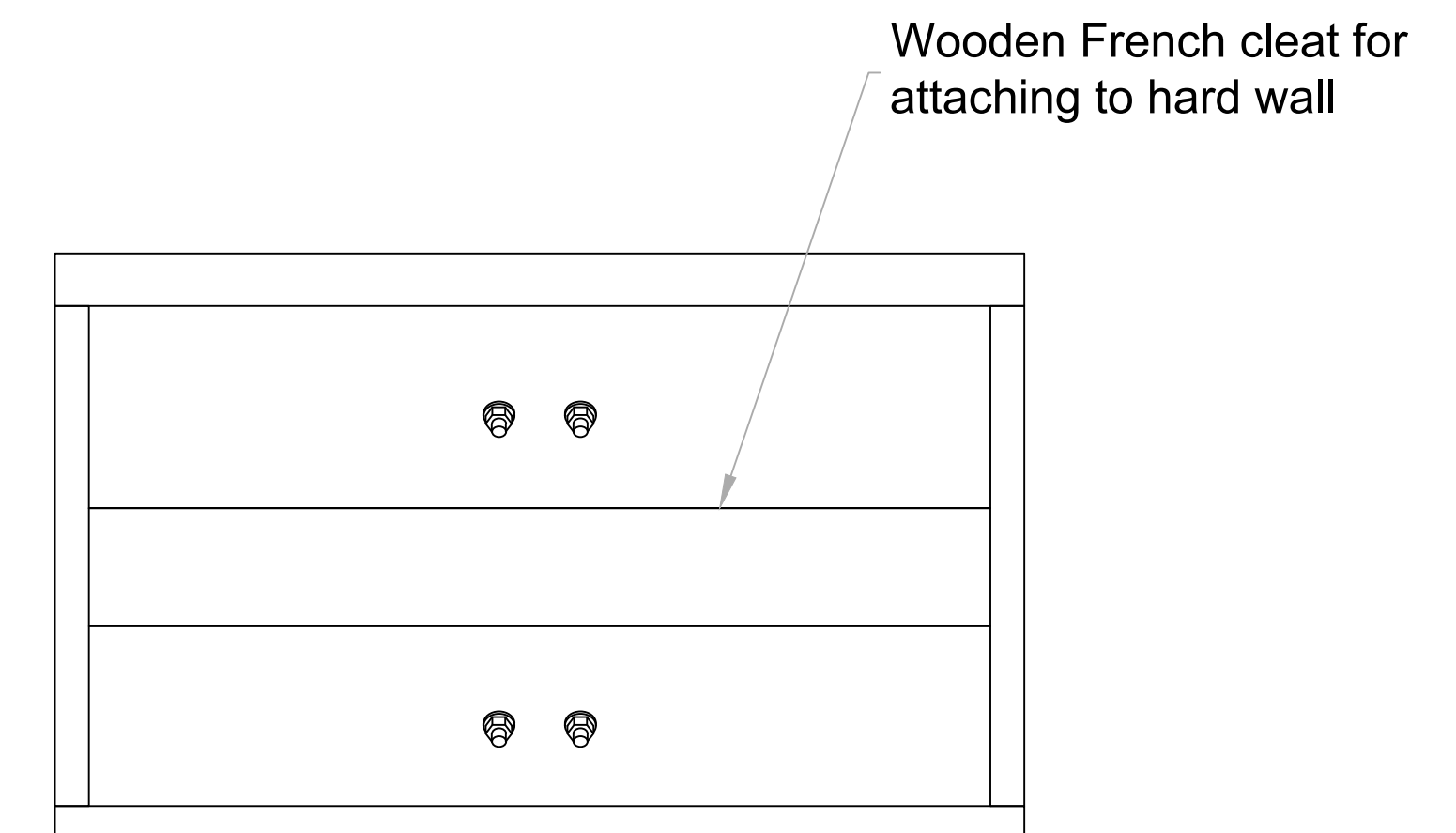
6 FRONT ISO
Scale: NTS



3 RIGHT
Scale: 3" = 1'-0"



4 SECTION J-J
SCALE 3" = 1'-0"



5 BACK
Scale: 3" = 1'-0"