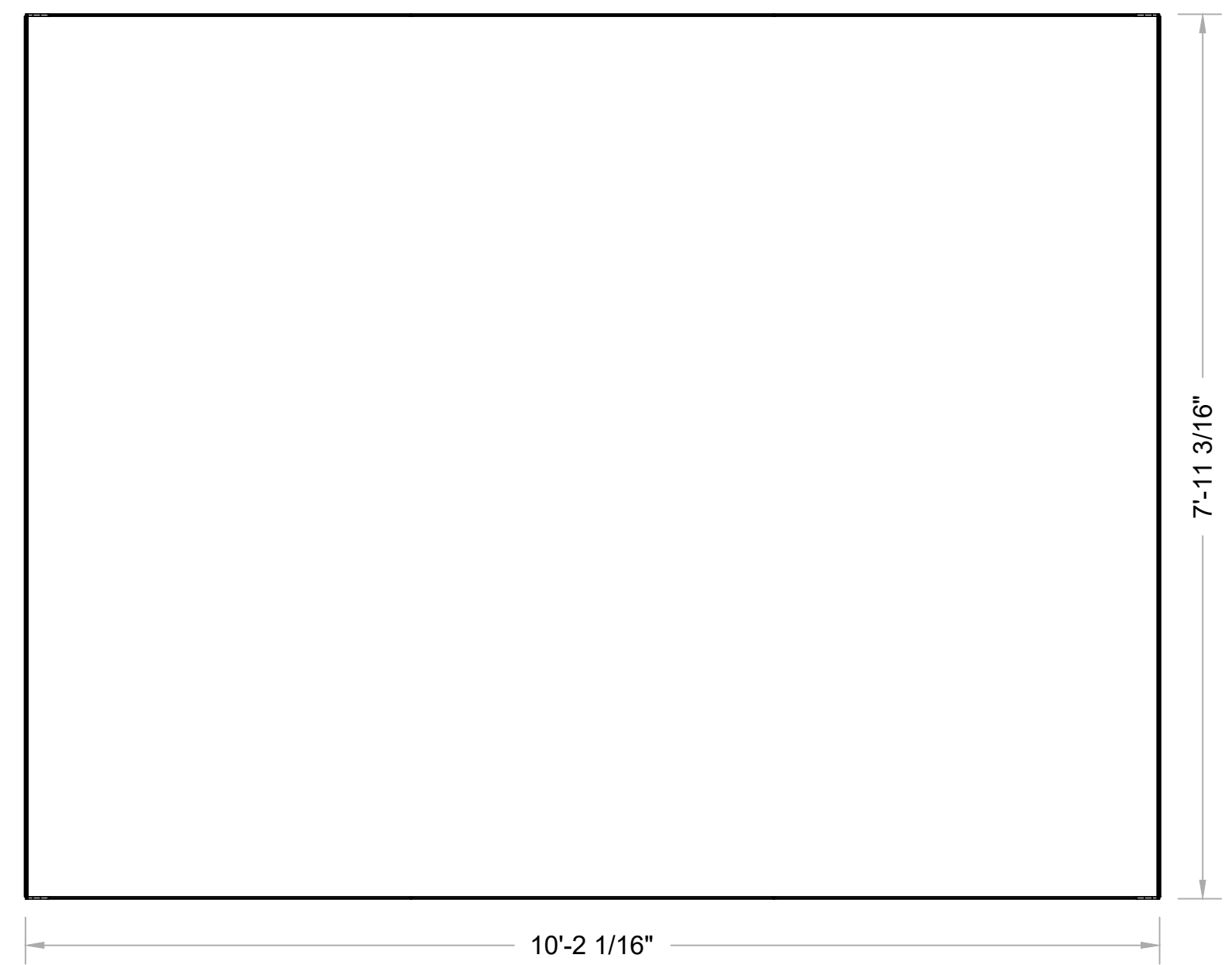
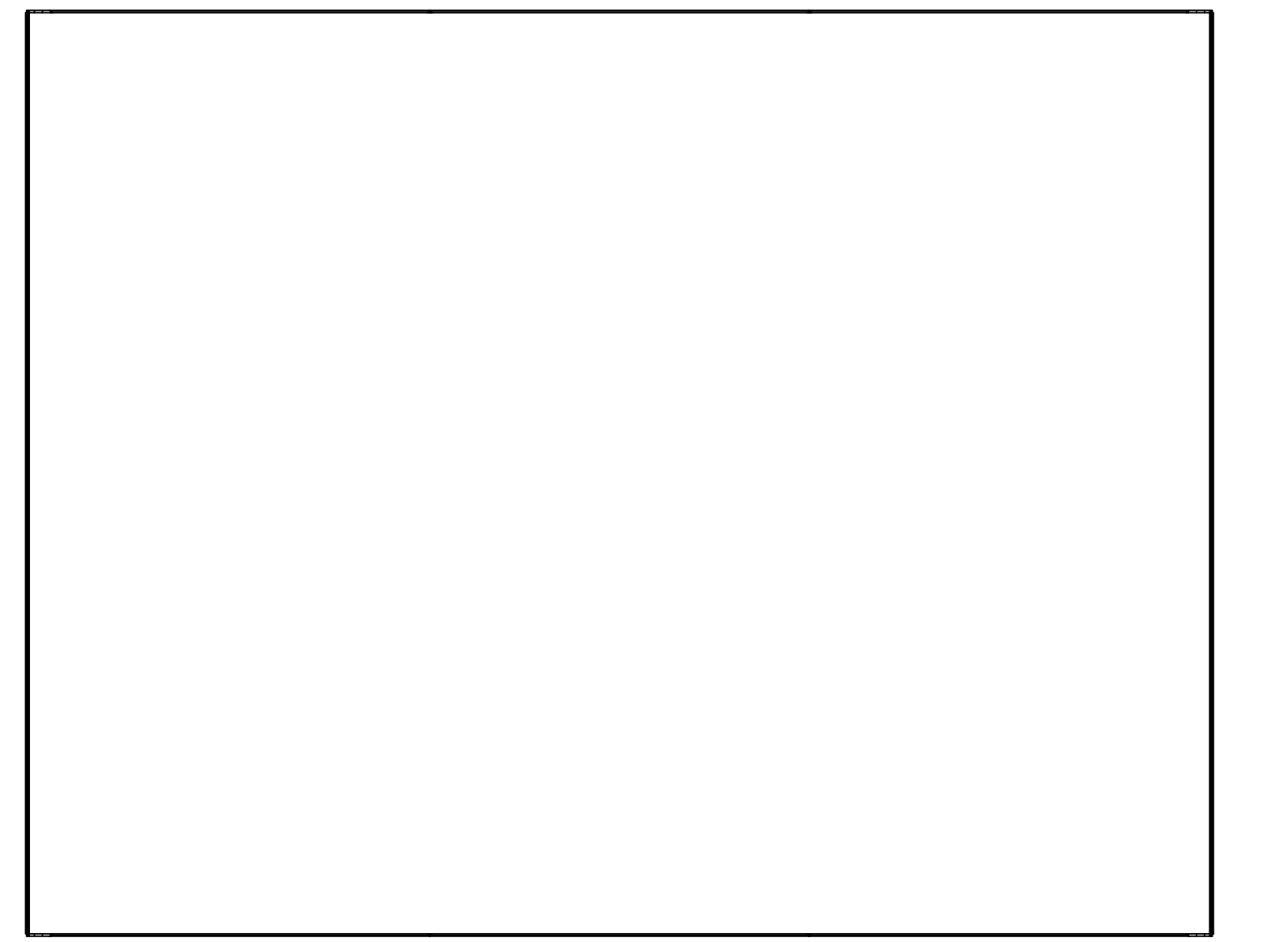


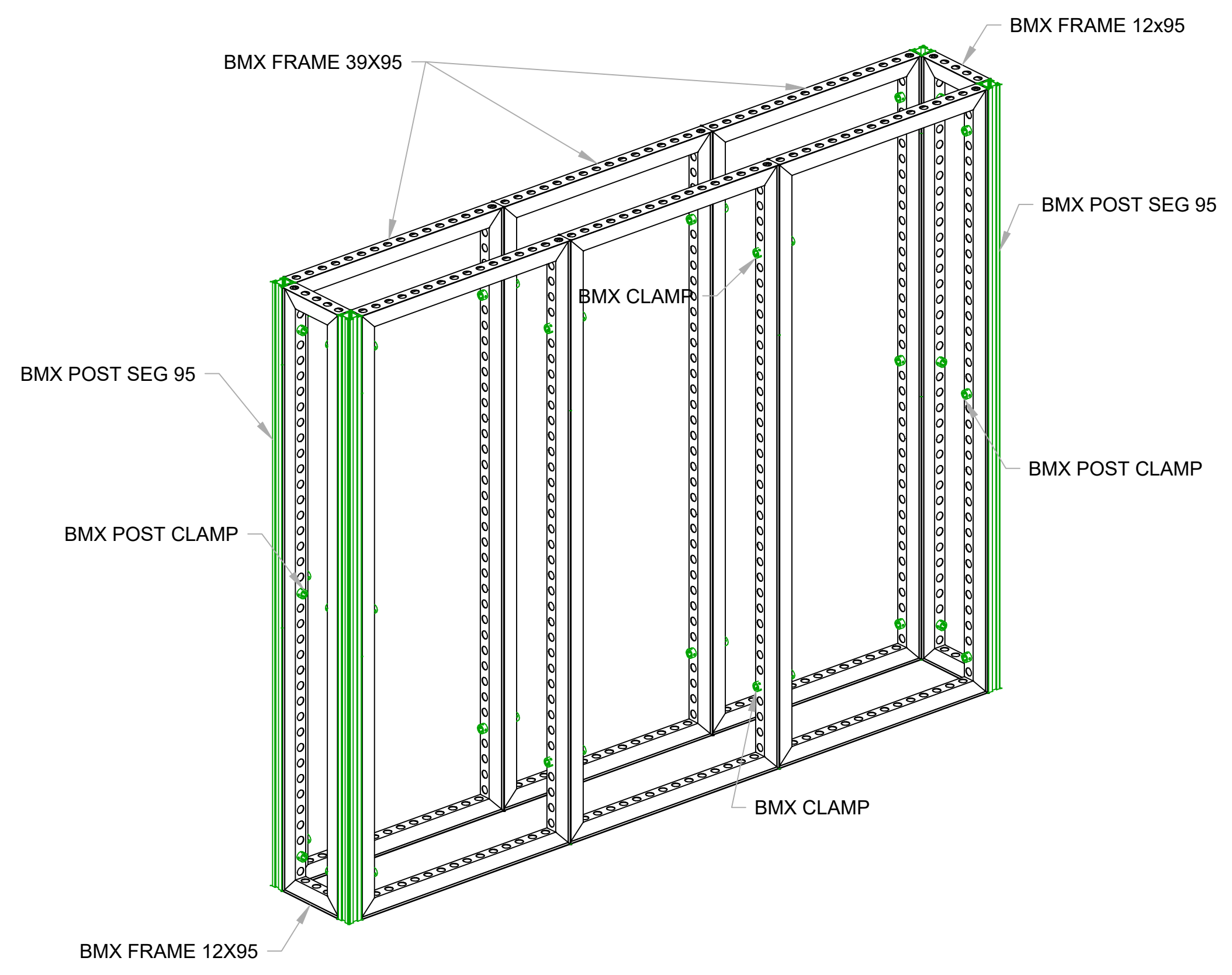
4 TOP
Scale: 3/4" = 1'-0"



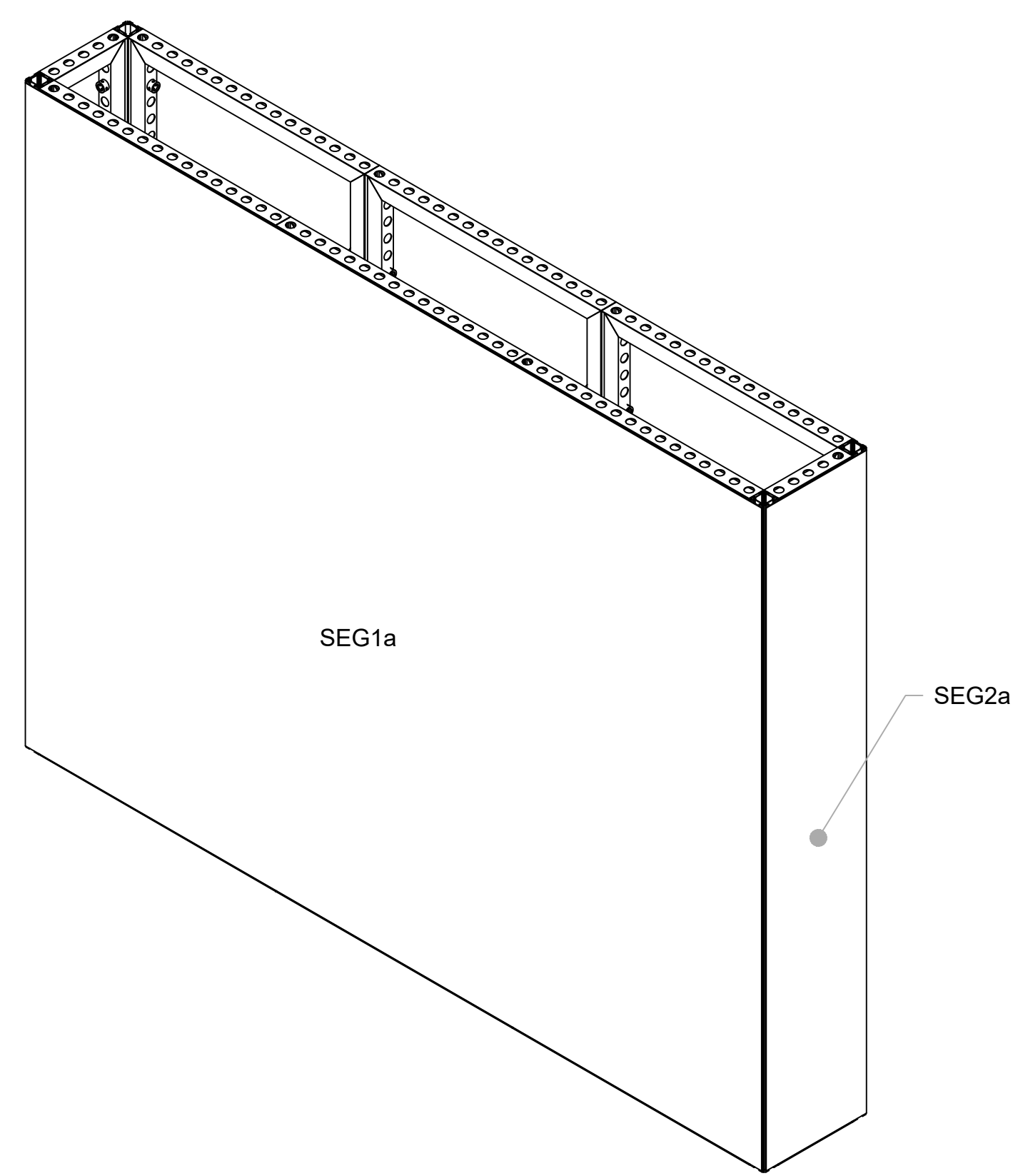
5 FRONT
Scale: 3/4" = 1'-0"



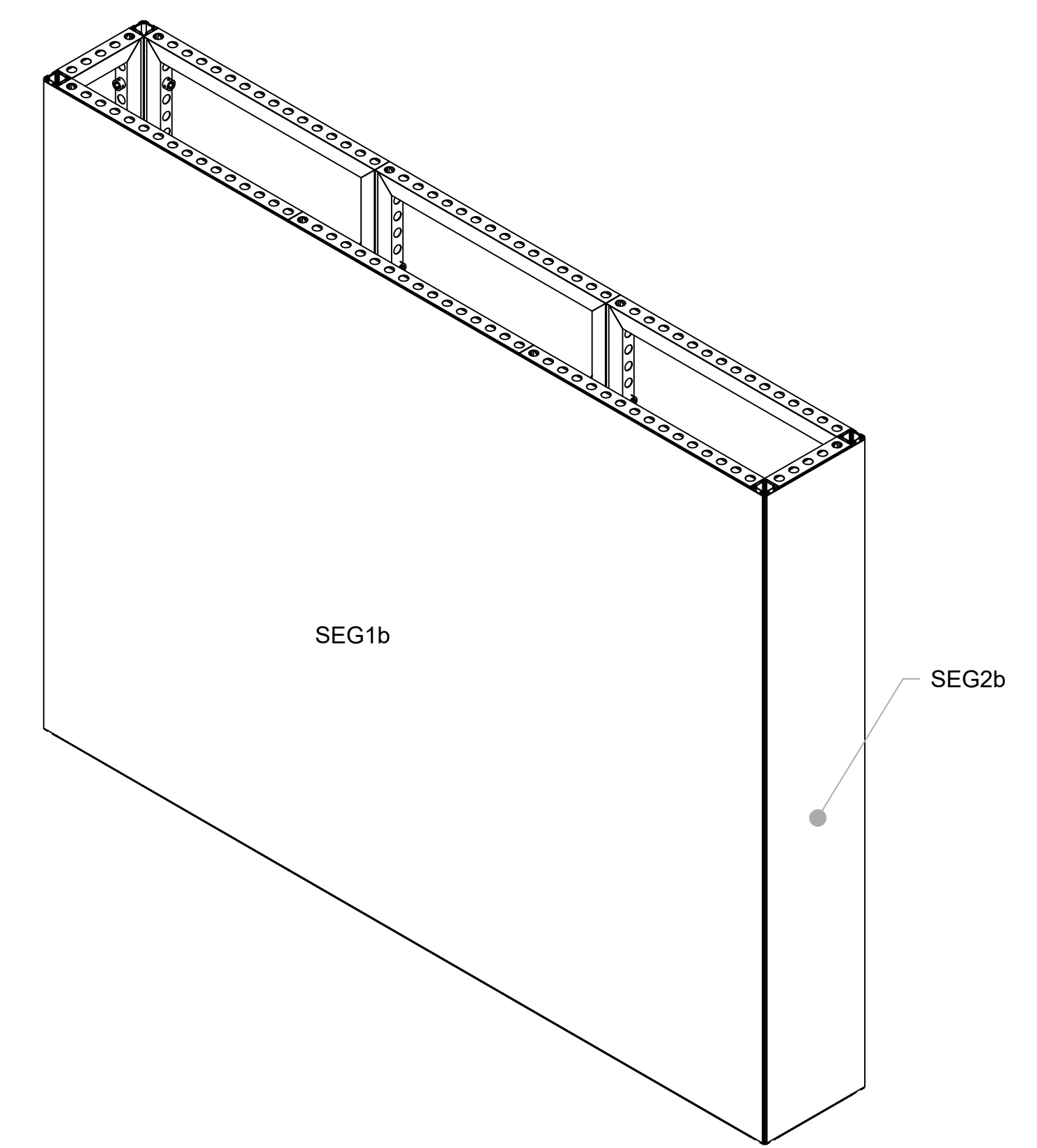
6 BACK
Scale: 3/4" = 1'-0"



1 FRONT ISO: METAL ONLY
Scale: NTS



2 FRONT ISO
Scale: NTS



3 REAR ISO
Scale: NTS

No Suffix	Normal panel - 1/8" Sintra	Overlay panels without Panel Hangers applied w/ Velcro-Acrylic #72. - Apply 24 hours before final install for bond to reach full strength. - Other products aren't safe & incurs additional charges for cleaning metal - Overlay Panels at 8' or higher must mechanically attach to structure
Suffix b	Banner	
Suffix c	Curved Panel - 1/8" Sintra or Coroplast	
Suffix d	Cabinet Door - 1/4" Sintra	
Suffix o	Overlay Panel - 1/2" unless noted in description	
Suffix r	Routed	
Suffix s	Special - see drawing	

PANEL ITEMS				
Qty	Part Number	Description	Length	Height
2	SEG1	121.491X94.740	121 1/2"	94 3/4"
2	SEG2	16.530X94.740	16 1/2"	94 3/4"

OTHER ITEM TYPES				
Qty	Part Number	Description	Length	Width
8	BMX CLAMP	beMatrix Clamp	N/A	N/A
2	BMX FRAME 12X95	beMatrix Frame 12x95	12.2"	95.2"
6	BMX FRAME 39X95	beMatrix Frame 39x95	39.06"	95.2"
24	BMX POST CLAMP	beMatrix Post Clamp	N/A	N/A
4	BMX POST SEG 95	beMatrix Corner Post 95 SEG Slots	95.2"	N/A

Orange County Convention Center
Orlando, FL
Oct 4 - 6, 2017

Booth #2339
SEG Wall Detail

Drawn by: Elise Masur
File ID: D01
Page: 07 OF 10
Revision #: 15
Plotted: 09/27/17