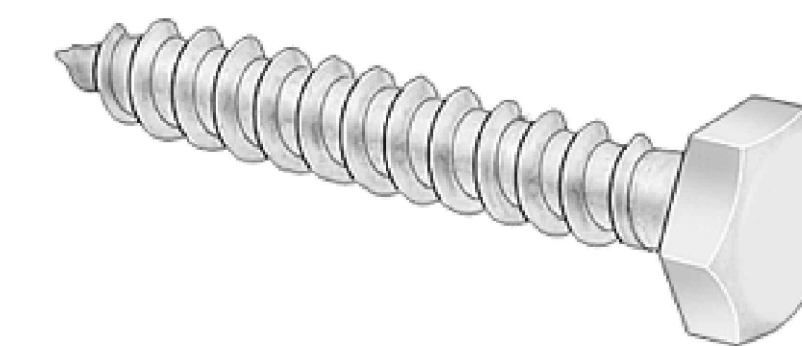
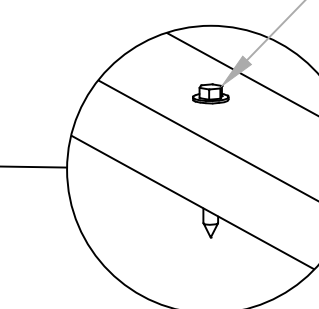


Aluminum wall frames attach to floor and subfloor with lag screws; minimum 4 per wall

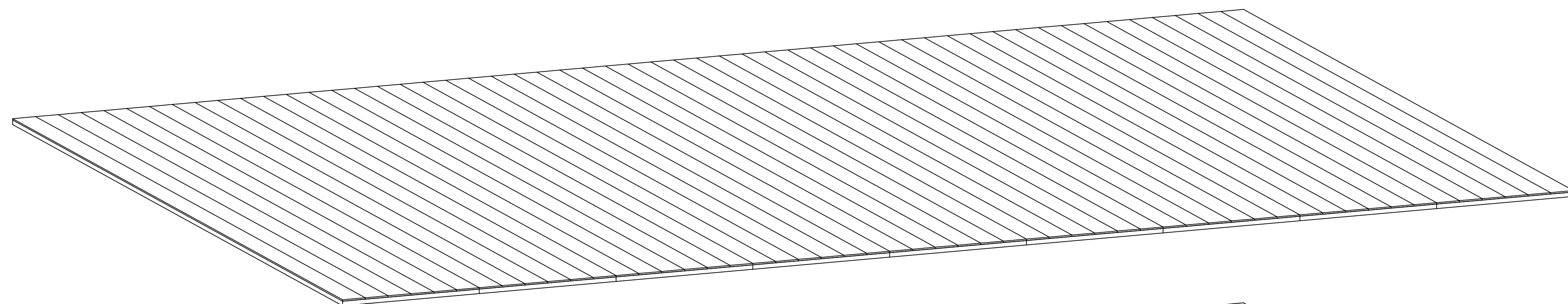
Hex Head Screws for Wood
18-8 Stainless Steel, 5/16" Size, 3" Long



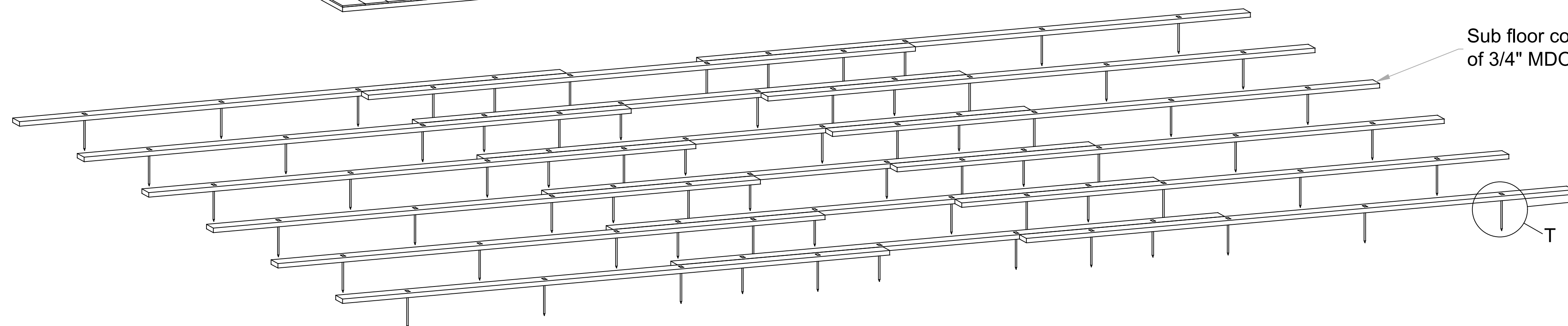
Lag bolts (see image above)



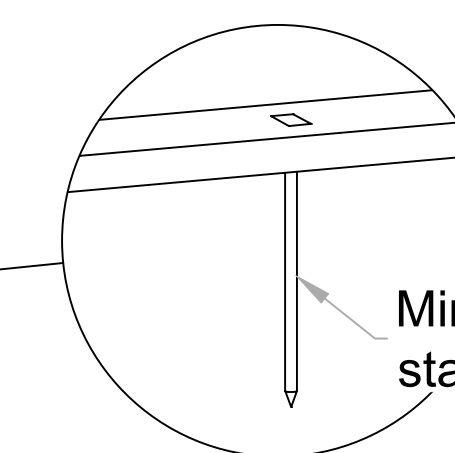
DETAIL S
SCALE 3" = 1'-0"



Faux wood flooring attached to 2'-0" wide pieces of 3/4" MDO; attaches to subfloor with screws



Sub floor consists of 3" wide x 8'-0" long strips of 3/4" MDO staked into ground



DETAIL T
SCALE 3" = 1'-0"

Minimum length of stake is 6"

1 SEPARATED ISO
Scale: NTS