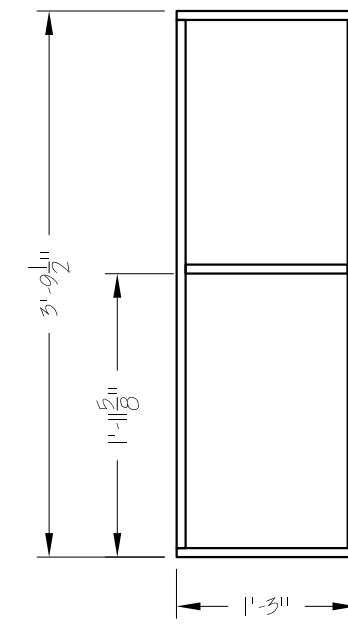
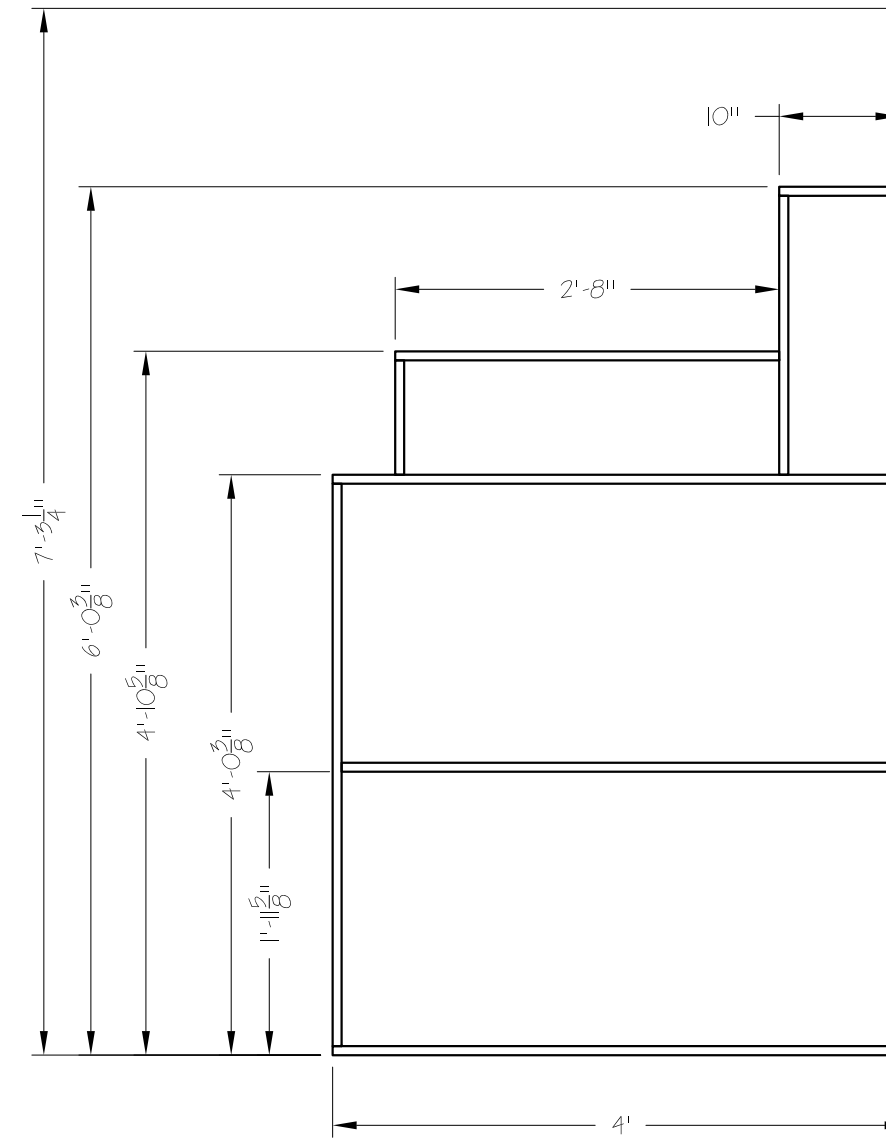


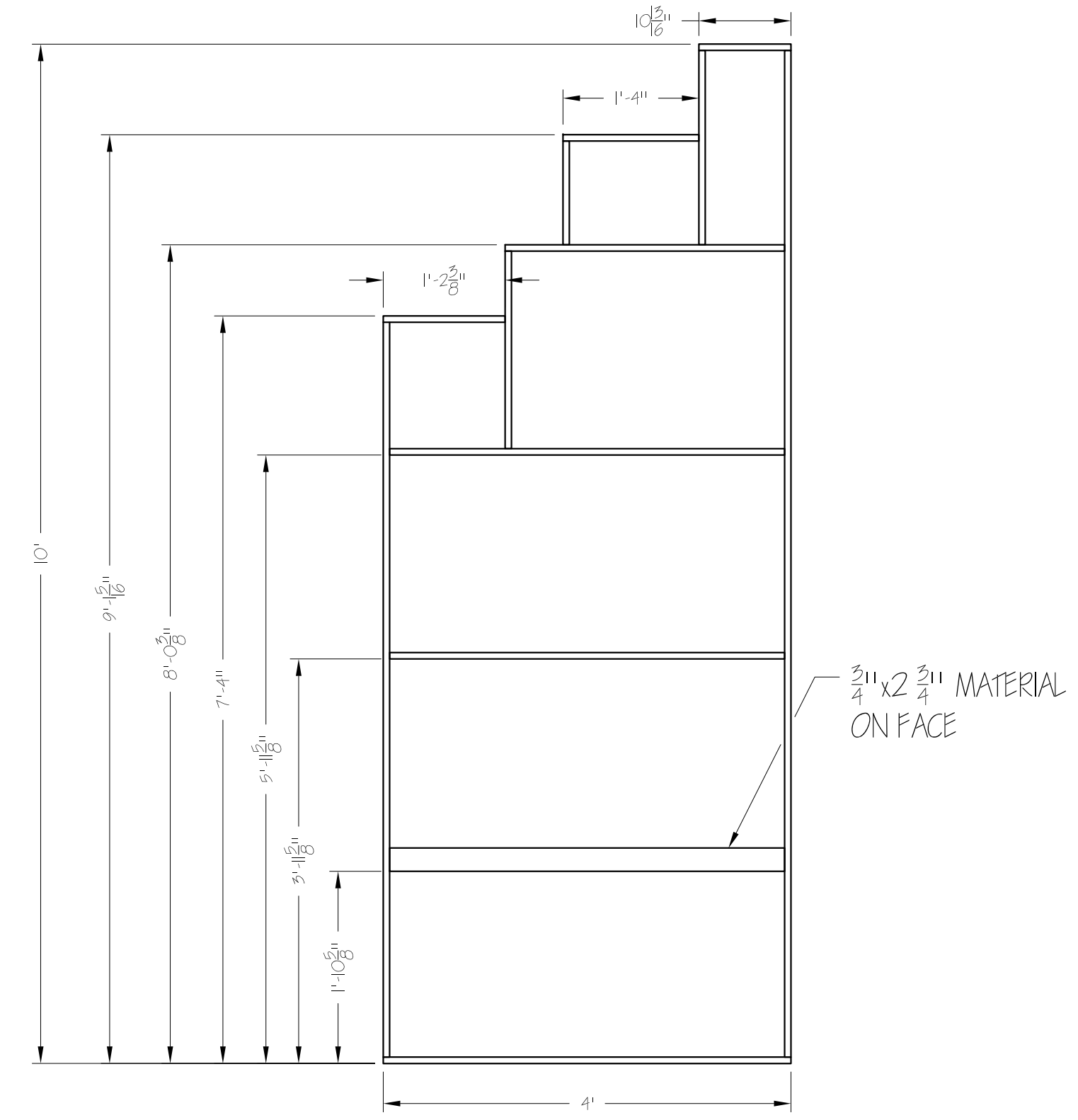
1 WALL 1 - FRONT ELEVATION 3/4" = 1'-0"



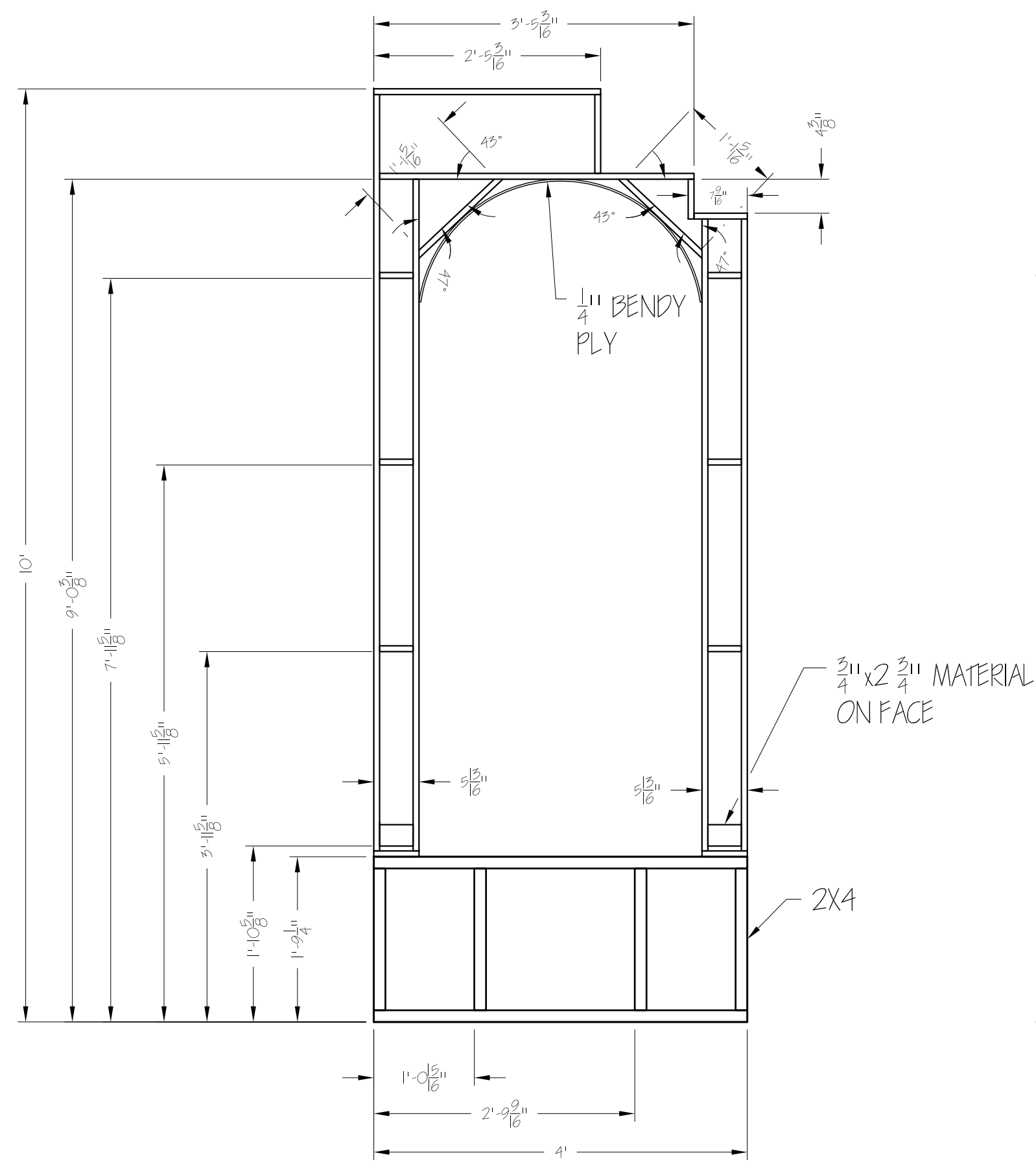
2 WALL 2 - FRONT ELEVATION 3/4" = 1'-0"



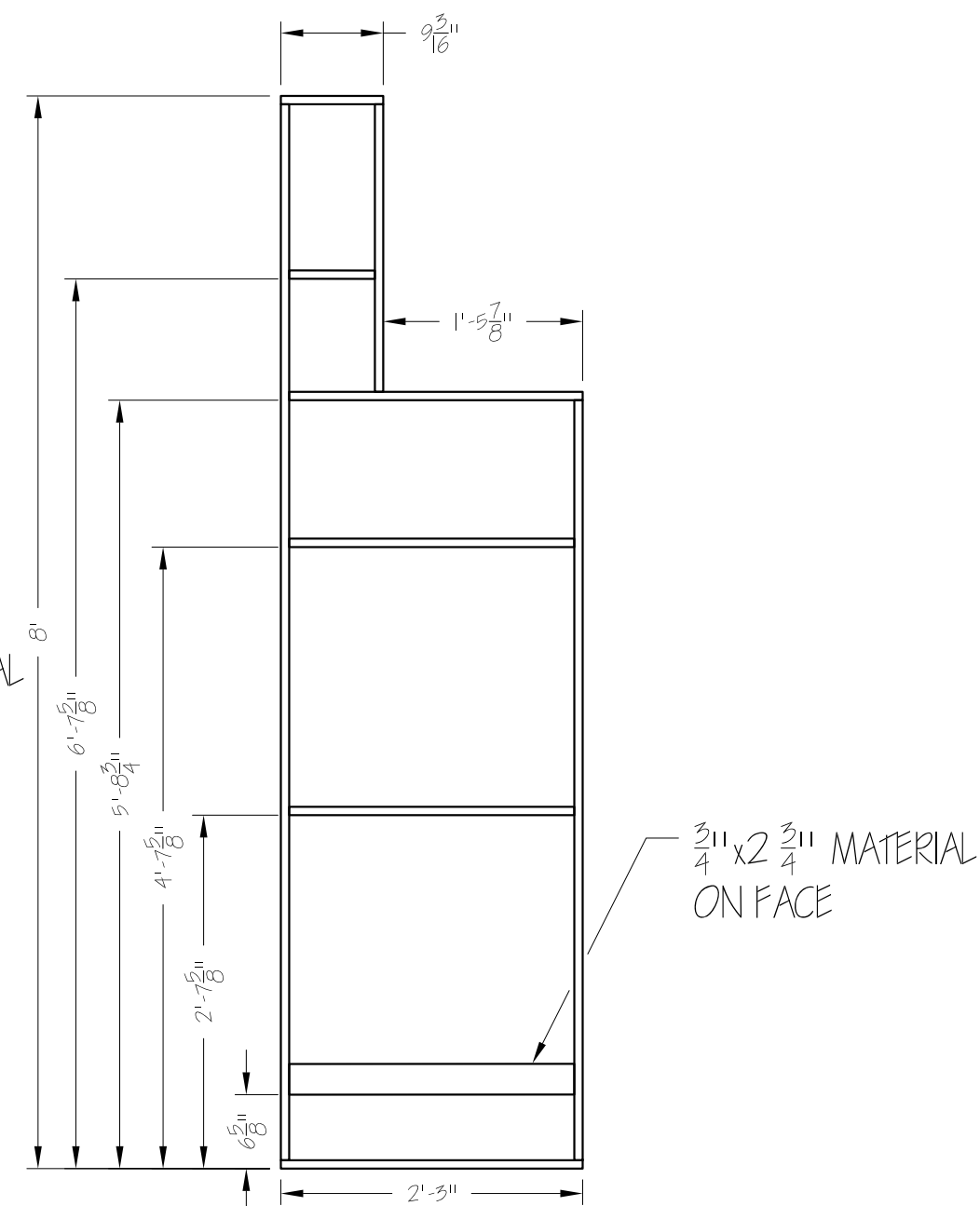
3 WALL 3 - FRONT ELEVATION 3/4" = 1'-0"



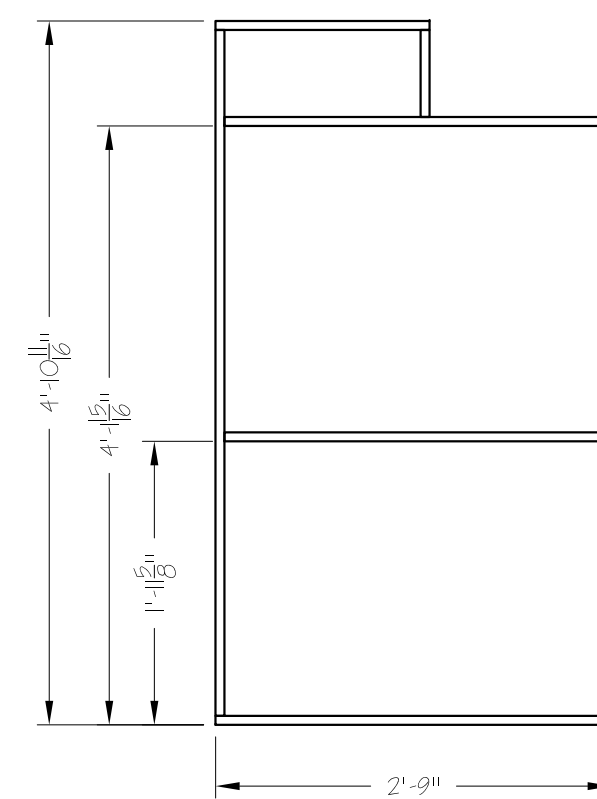
4 WALL 4 - FRONT ELEVATION 3/4" = 1'-0"



5 WALL 5 - FRONT ELEVATION 3/4" = 1'-0"



6 WALL 6 - FRONT ELEVATION 3/4" = 1'-0"



7 WALL 7 - FRONT ELEVATION 3/4" = 1'-0"

NOTES:

- UNLESS SPECIFIED, ALL FRAMES ARE MADE OF 1X12 RIPPED TO 3/4" X 2 3/4" ACTUAL.
- MEASUREMENTS ARE TO BOTTOM EDGE OF INTERNAL MEMBERS.
- PAY ATTENTION TO CORNERS.

Director: REBEKAH SCALLET
 Scenic Designer: HEATHER ROBERSON
 Technical Director: PHILIP BRULOTTE
 Assistant Technical Director: ELISE MASUR
 Scale: 3/4" = 1'-0" Date: 5/08/2014

TWO GENTLEMEN OF VERONA

EXPLODED

Plate Number:

101