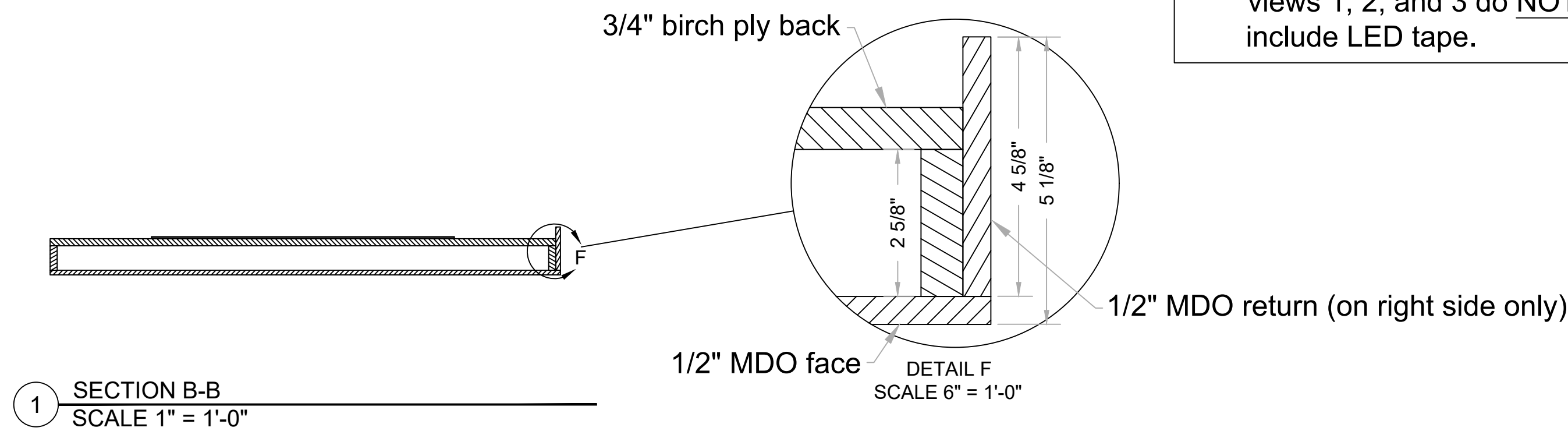
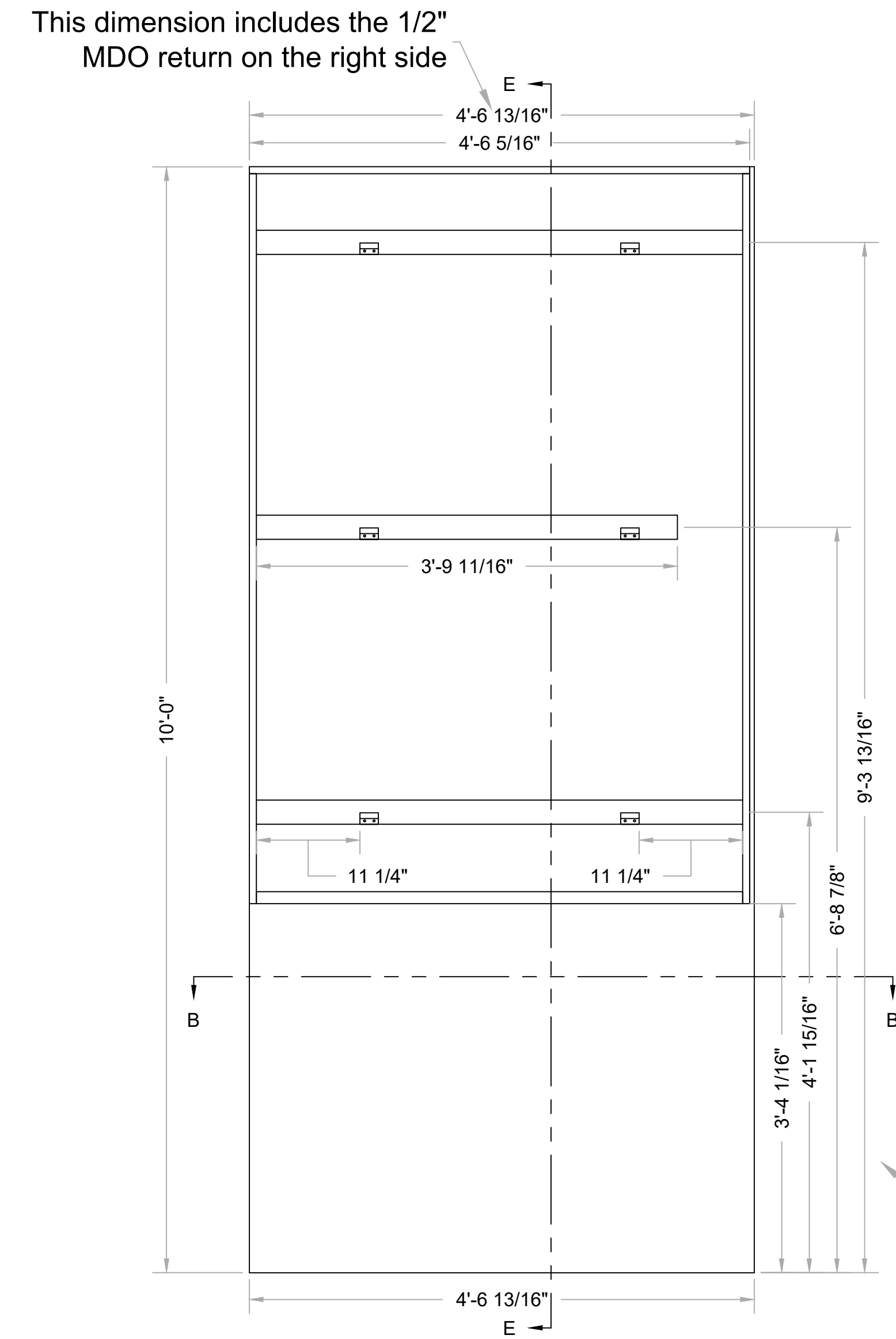


PANEL 7 PANEL DETAIL

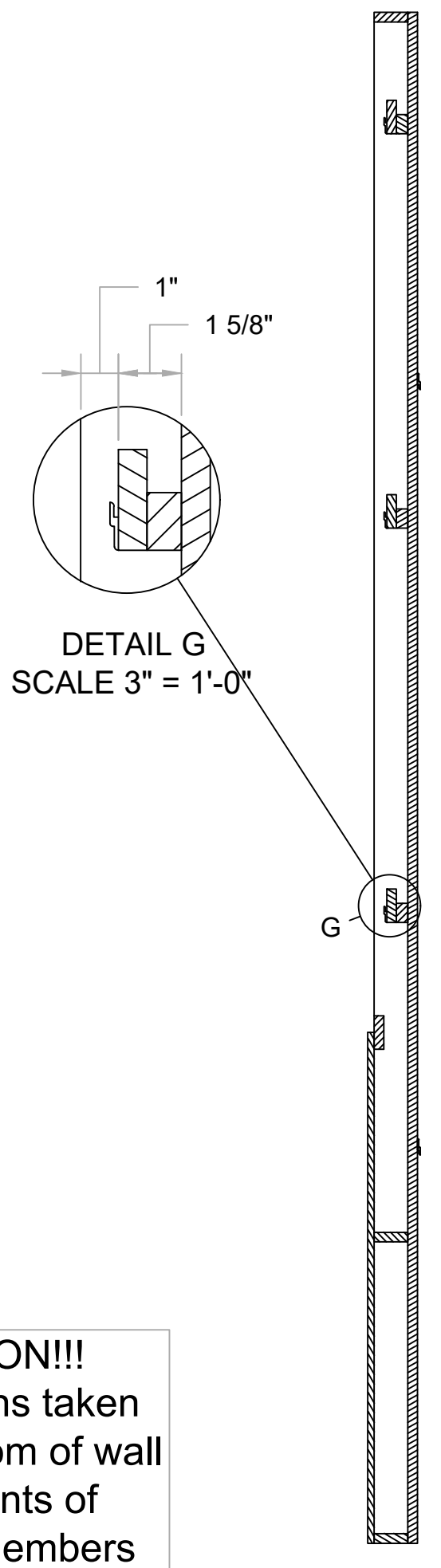
Notes:
- ATTENTION!!! For clarity, views 1, 2, and 3 do NOT include LED tape.



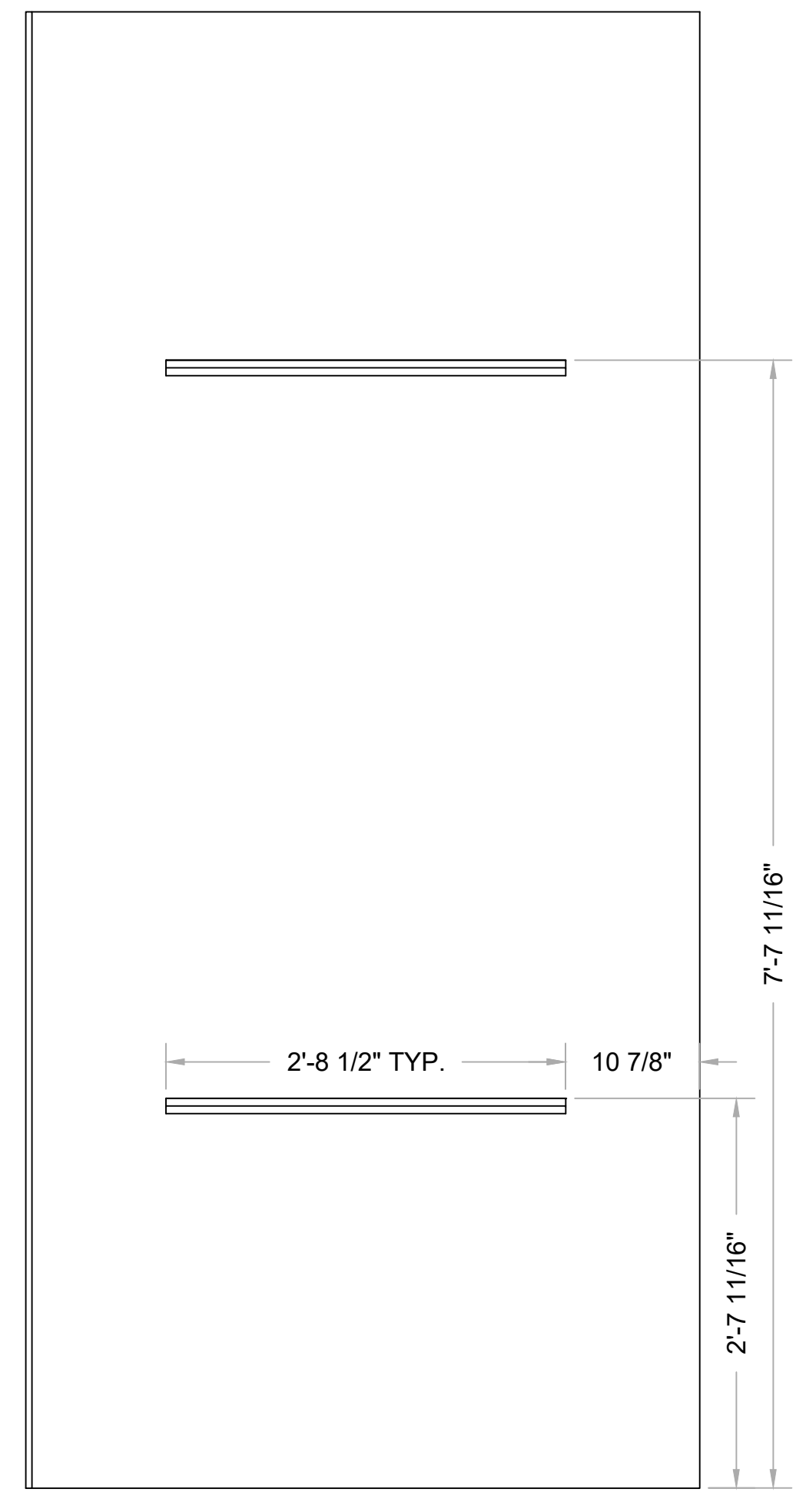
1 SECTION B-B
SCALE 1" = 1'-0"



2 FRONT
Scale: 1" = 1'-0"

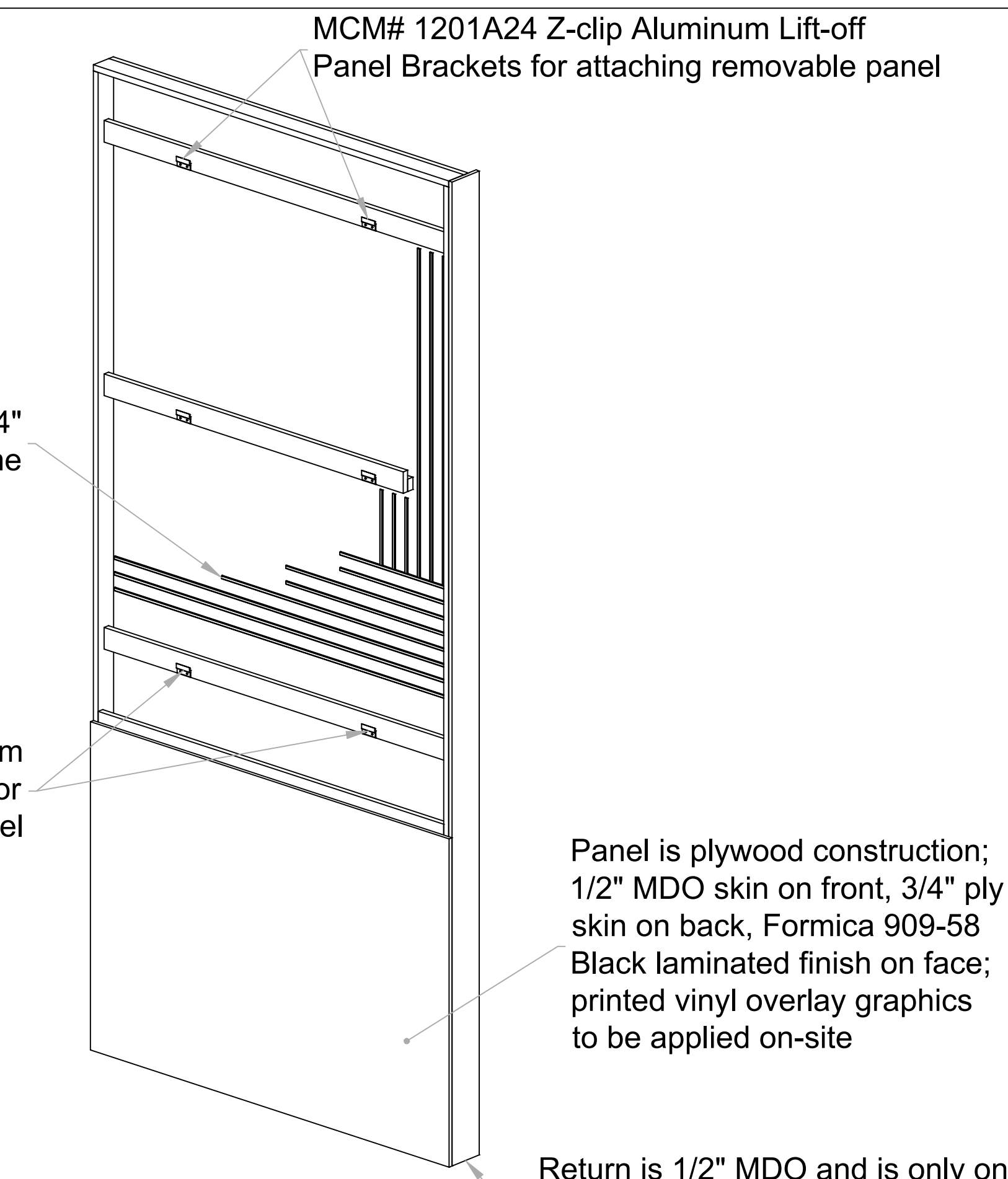


3 SECTION E-E
SCALE 1" = 1'-0"



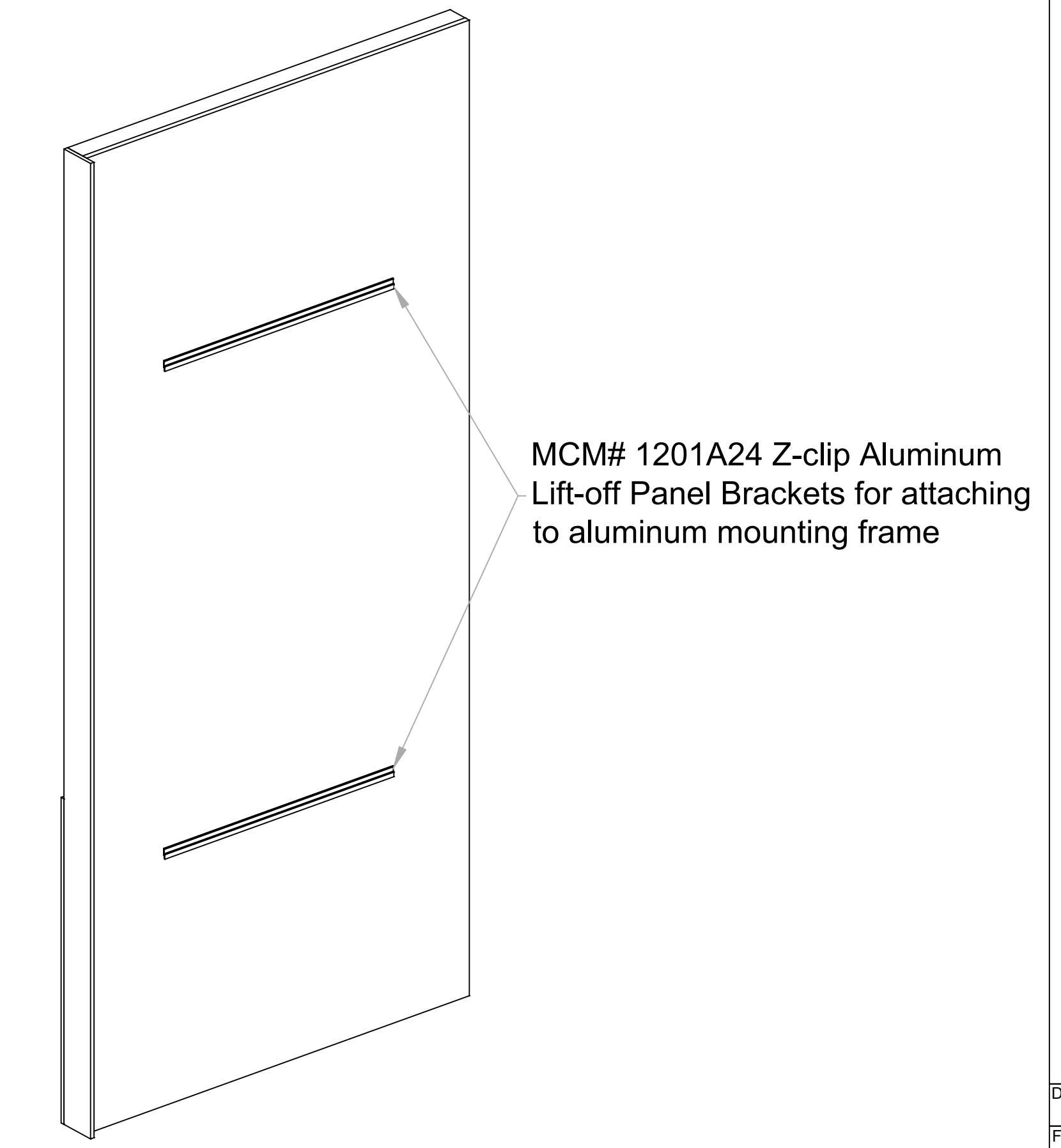
4 BACK
Scale: 1" = 1'-0"

LED tape mounted to 3/4" birch ply skin on back of frame
MCM# 1201A24 Z-clip Aluminum Lift-off Panel Brackets for attaching removable panel



5 FRONT ISO
Scale: NTS

Return is 1/2" MDO and is only on right side; return will be covered by an 1/8" aluminum plate (not shown here; see page 5)



6 REAR ISO
Scale: NTS

ATTENTION!!!
Dimensions taken from bottom of wall to mid-points of framing members