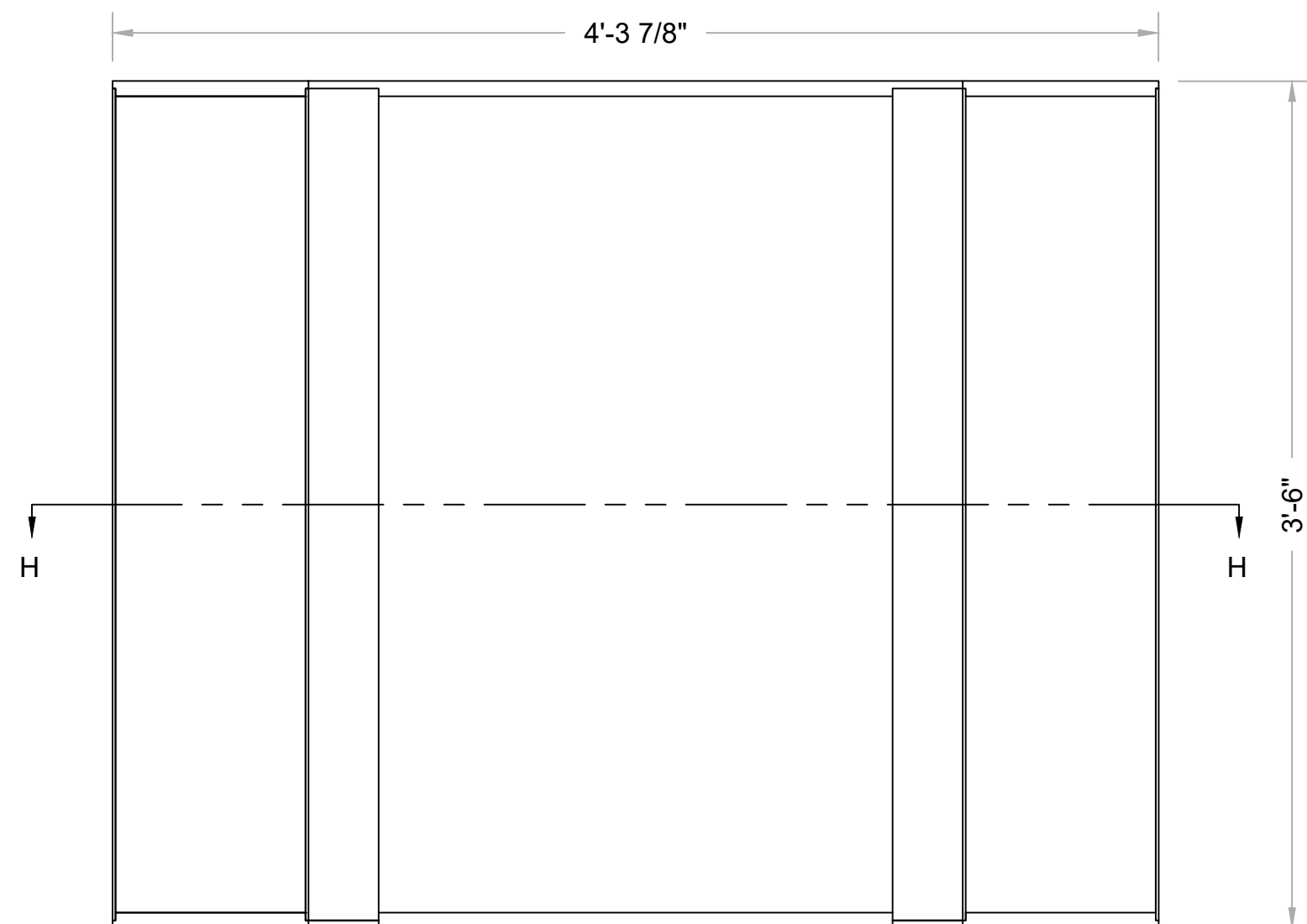
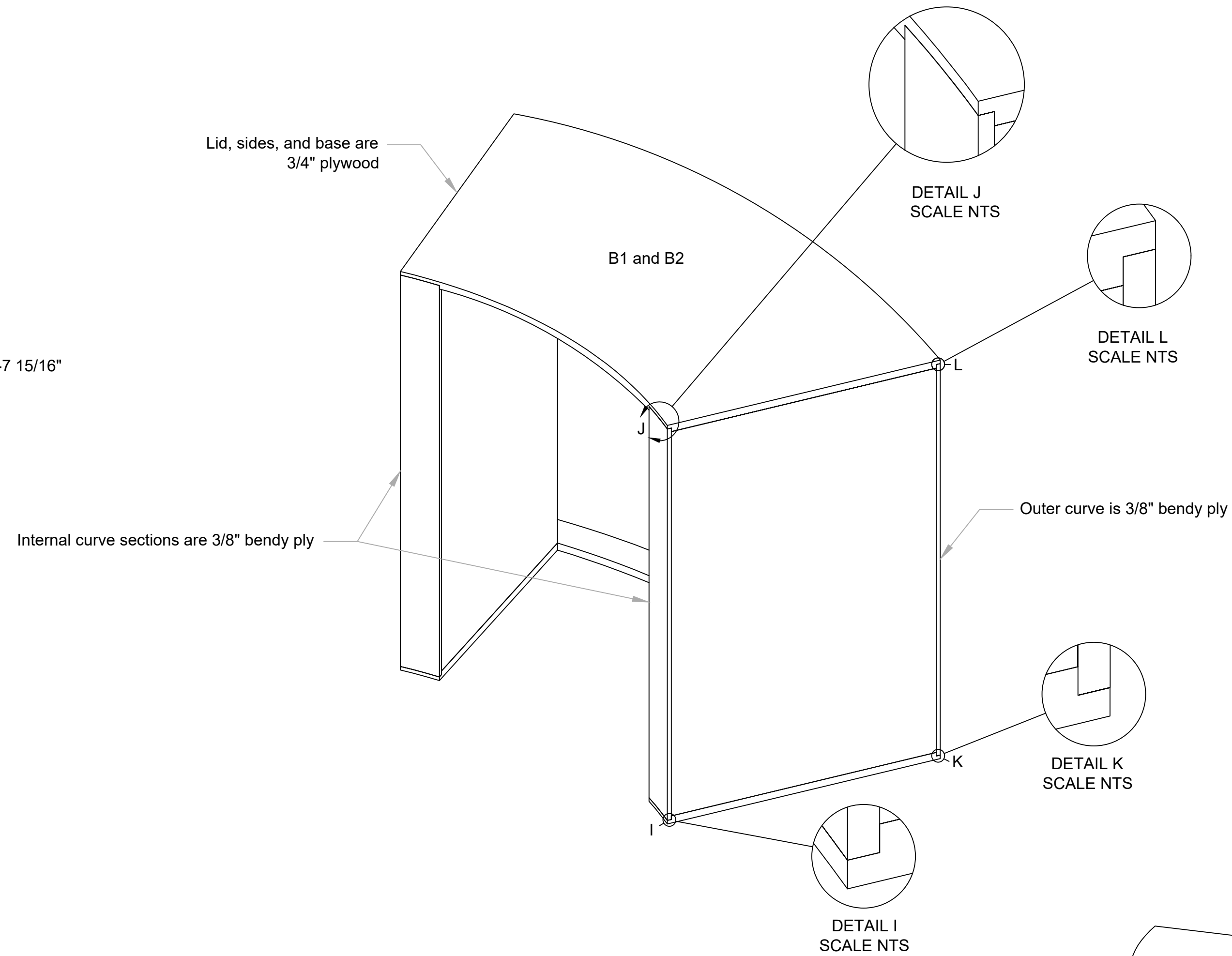


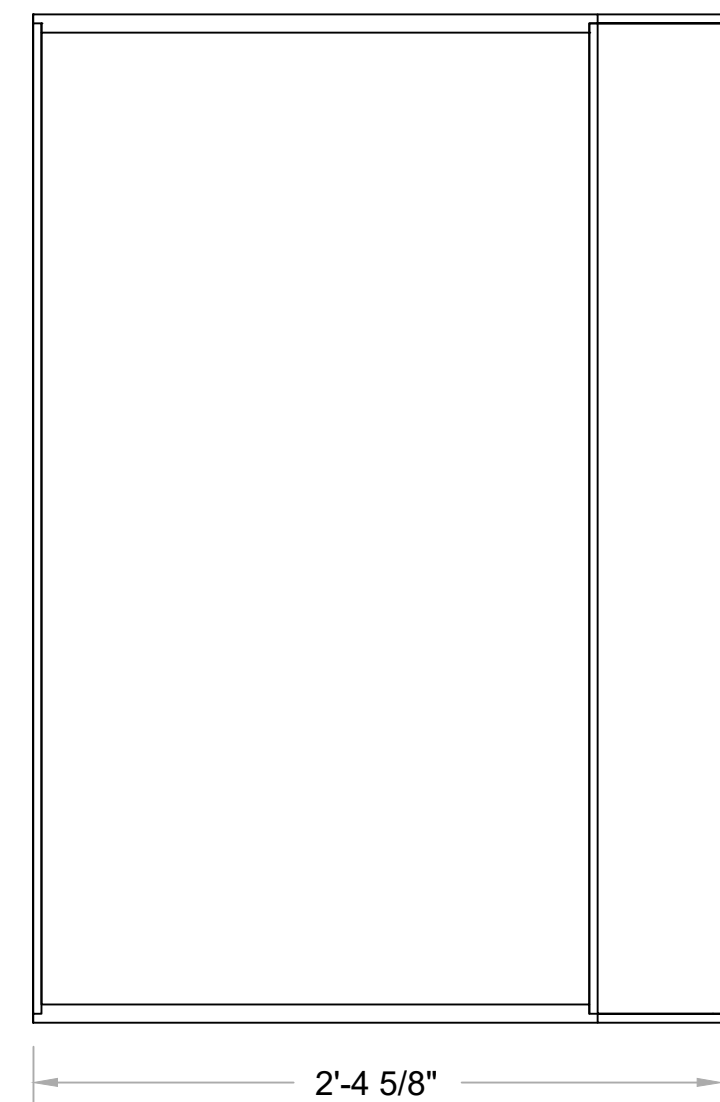
1 SECTION H-H
SCALE 1-1/2" = 1'-0"



2 FRONT
Scale: 1-1/2" = 1'-0"



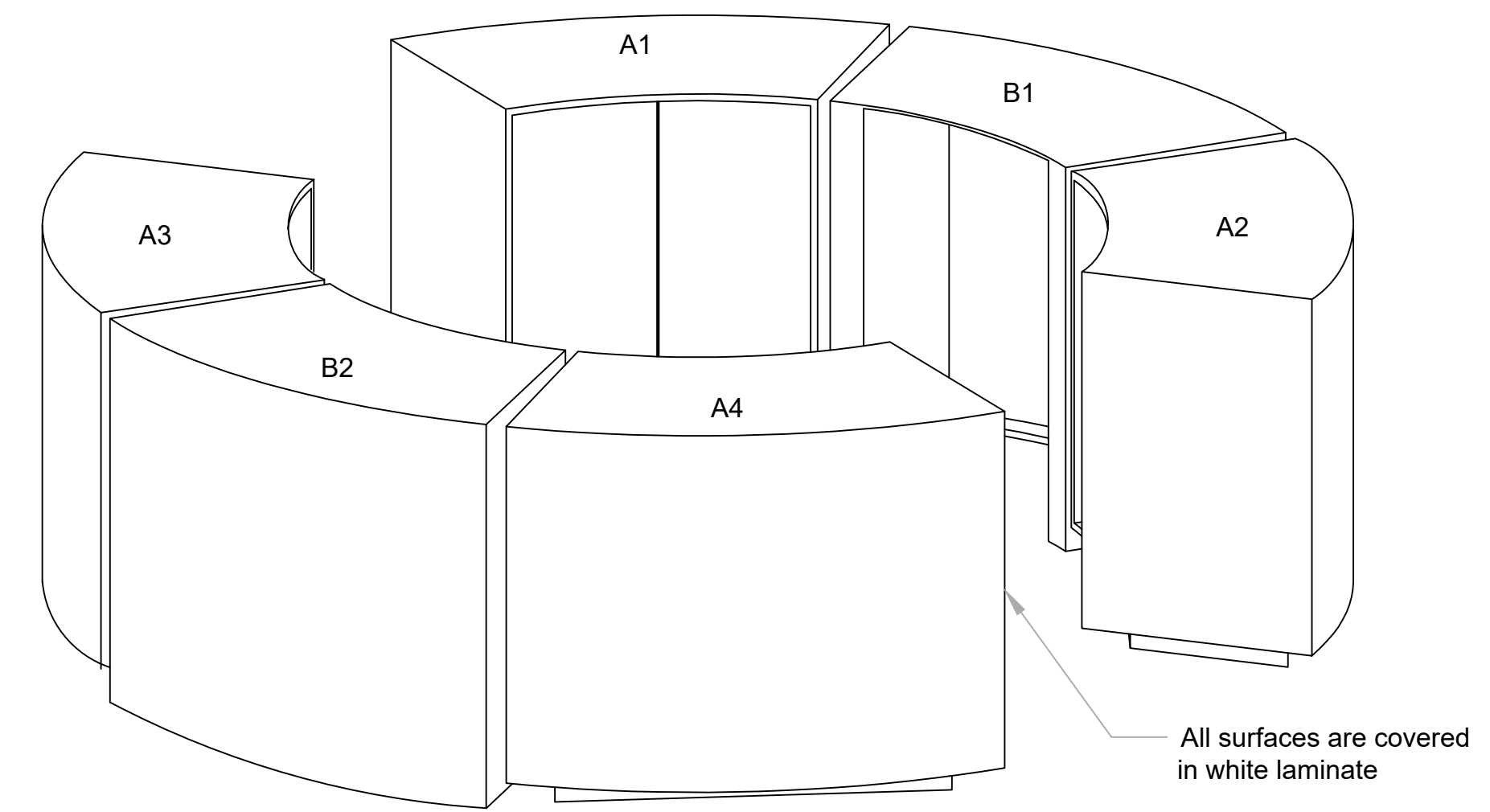
4 FRONT ISO
Scale: NTS



3 RIGHT
Scale: 1-1/2" = 1'-0"

BUILD 2

CNC PROFILES IN
SHOW FOLDER



5 FRONT ISO - FINISHED VIEW
Scale: NTS