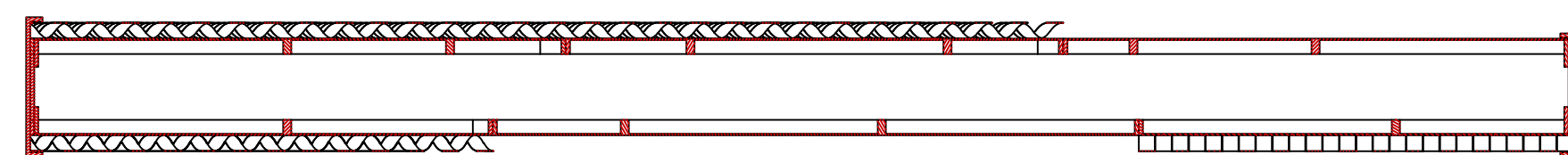


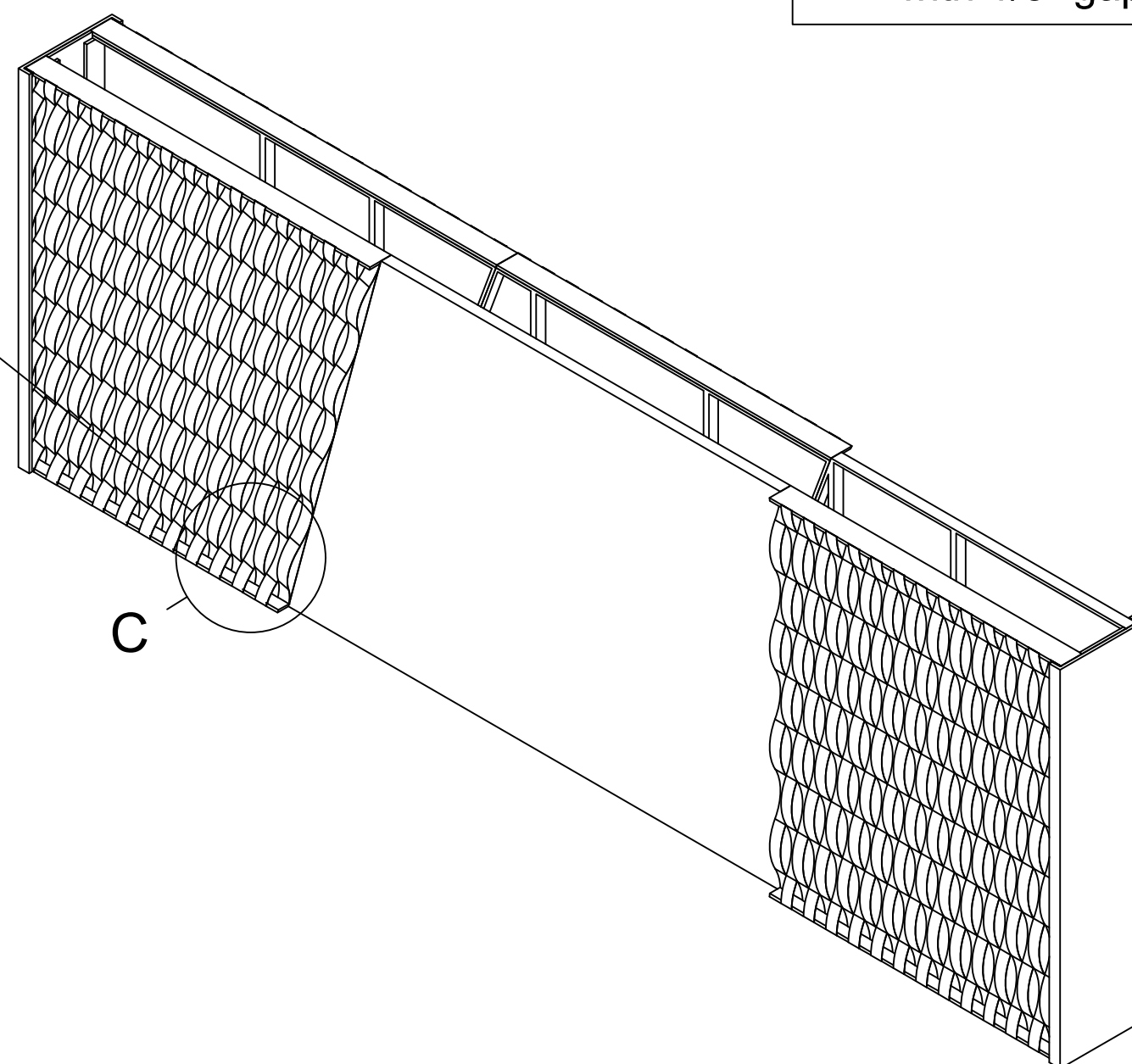
DETAIL C  
SCALE 1-1/2" = 1'-0"

NOTES

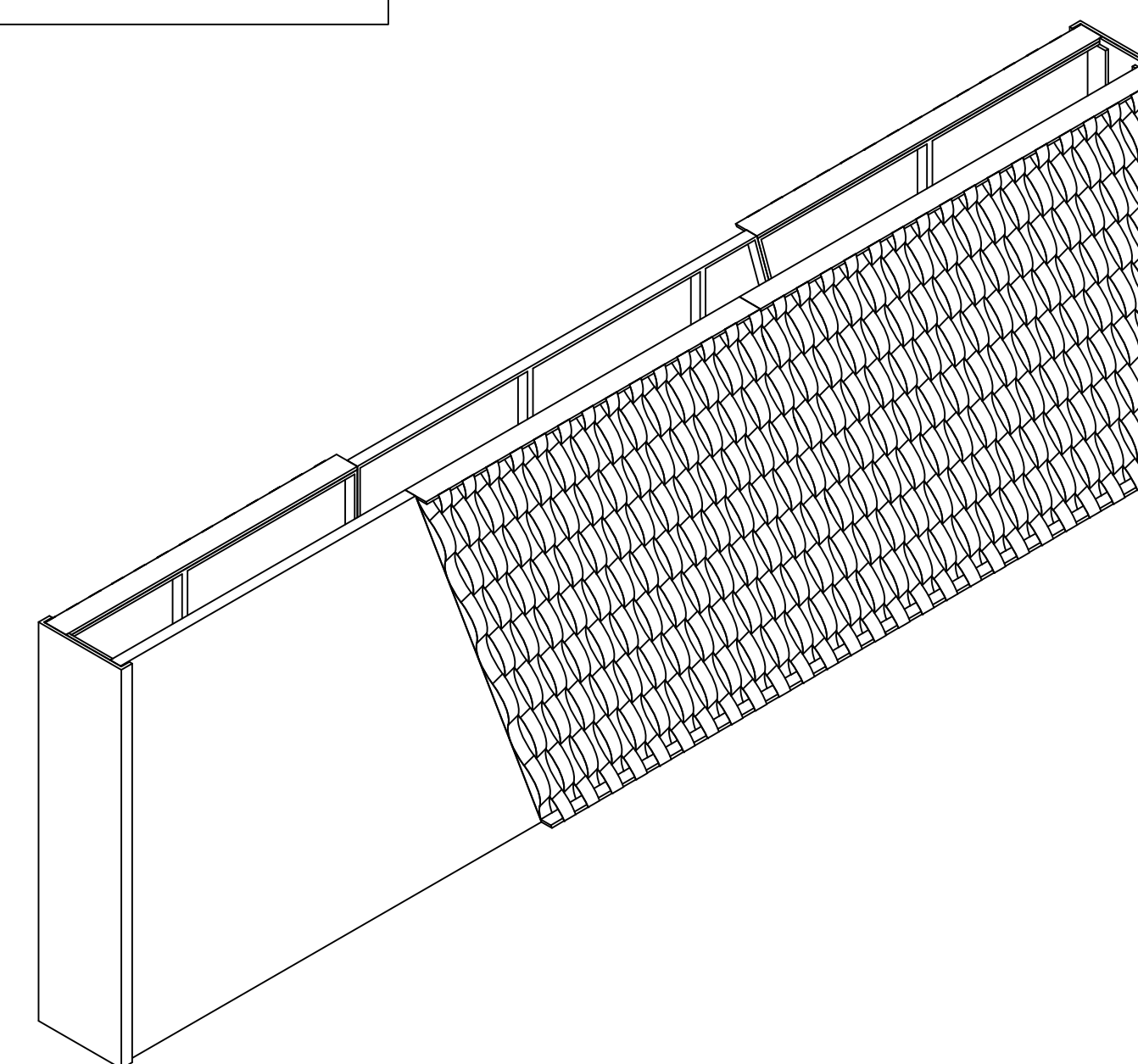
- Front and back walls are standard flats wrapped in banner material
- Front and back walls attach together with bottom plates and side plates
- End caps are plywood covered in laminate (TBD)
- "Ribbons" are 3" wide strips of 0.03" thick Styrene with 1/8" gaps between them



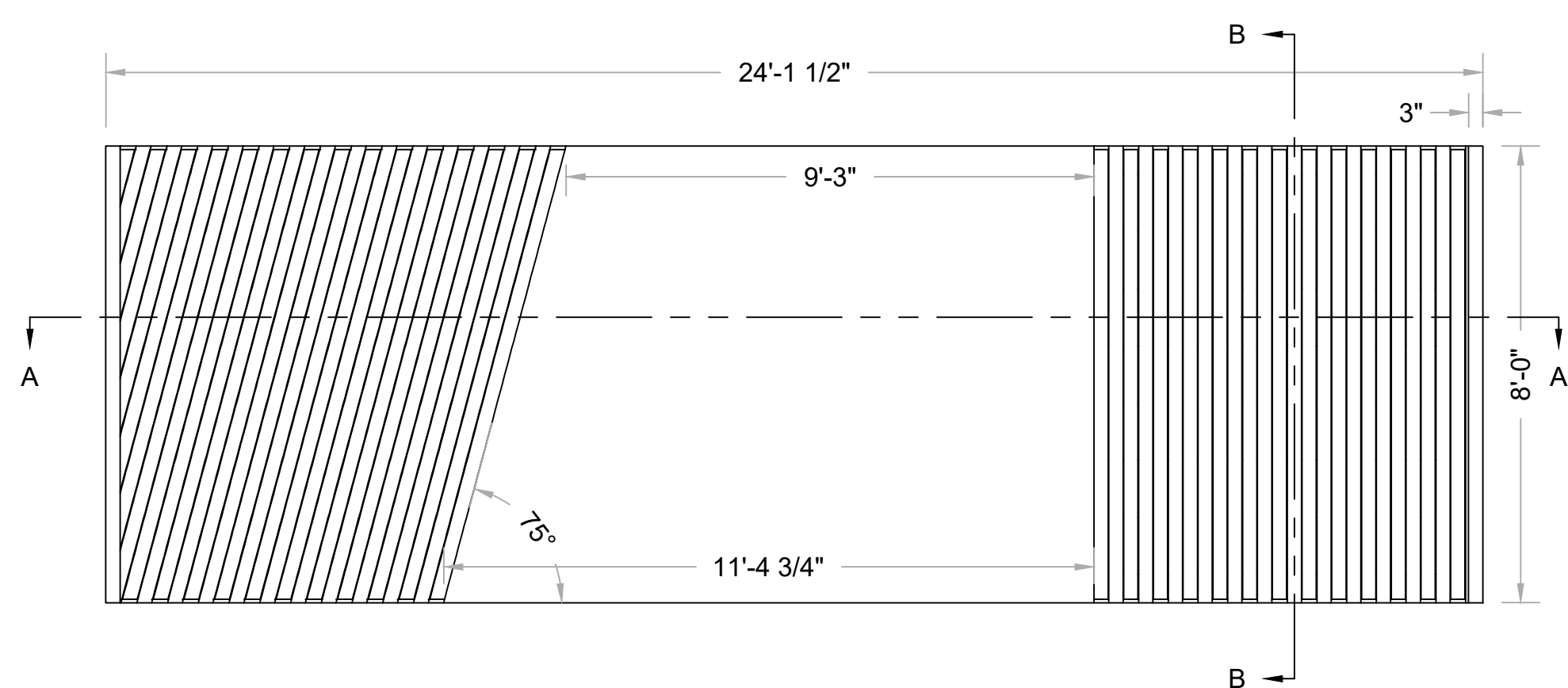
1 SECTION A-A  
SCALE 3/8" = 1'-0"



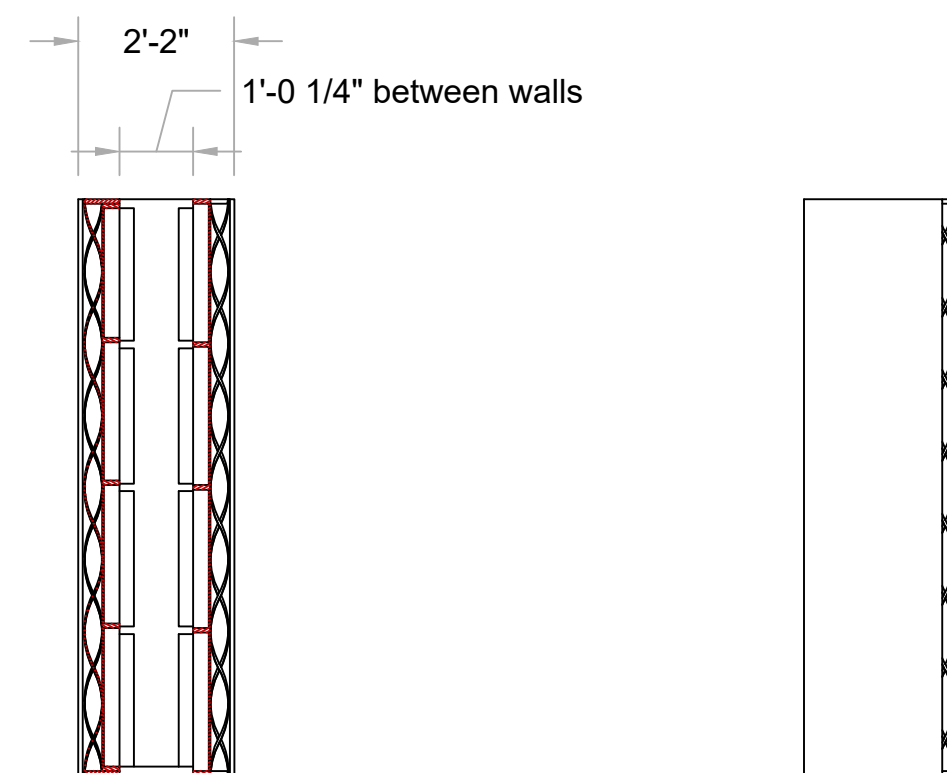
6 FRONT ISO  
Scale: NTS



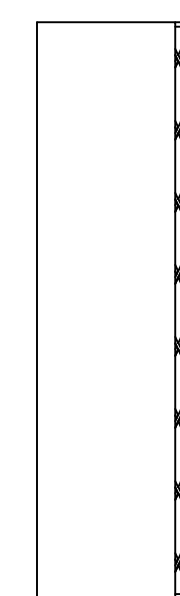
7 BACK ISO  
Scale: NTS



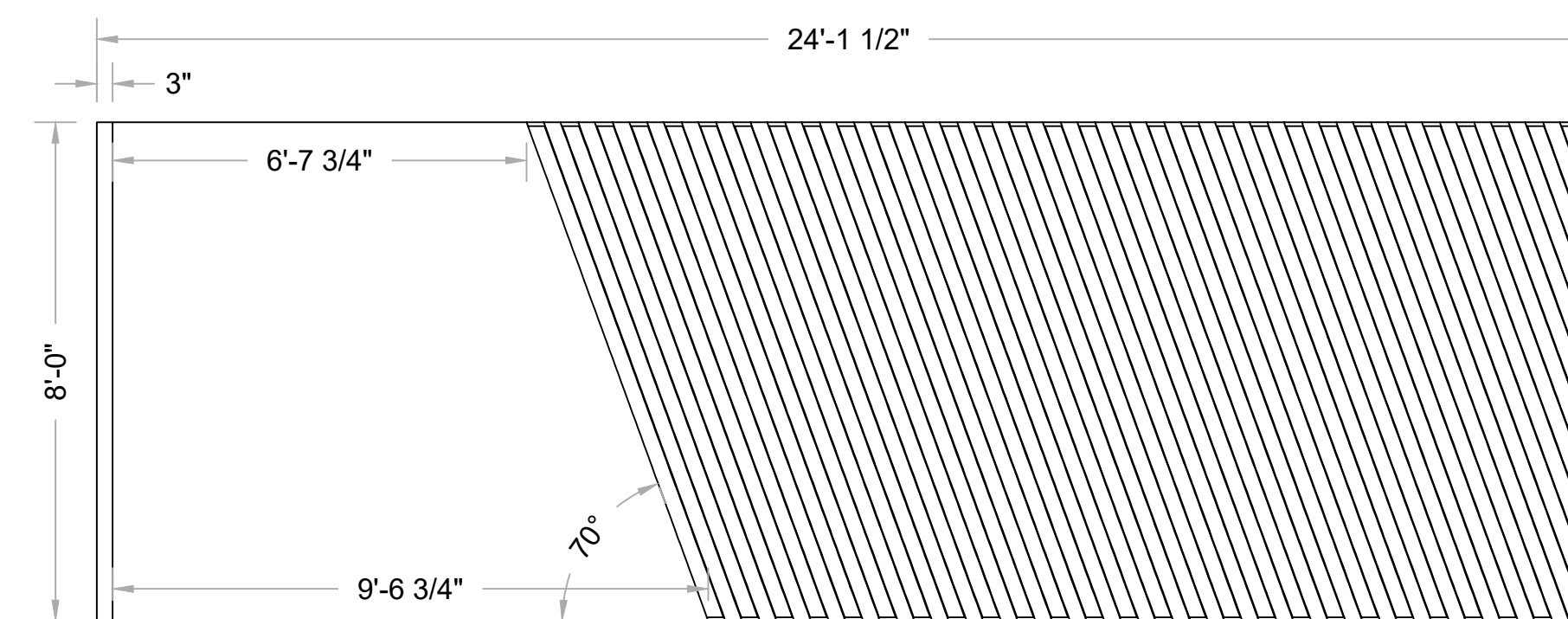
2 FRONT  
Scale: 3/8" = 1'-0"



3 SECTION B-B  
SCALE 3/8" = 1'-0"



4 RIGHT  
Scale: 3/8" = 1'-0"



5 BACK  
Scale: 3/8" = 1'-0"