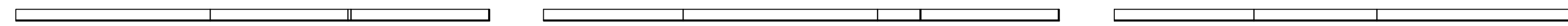
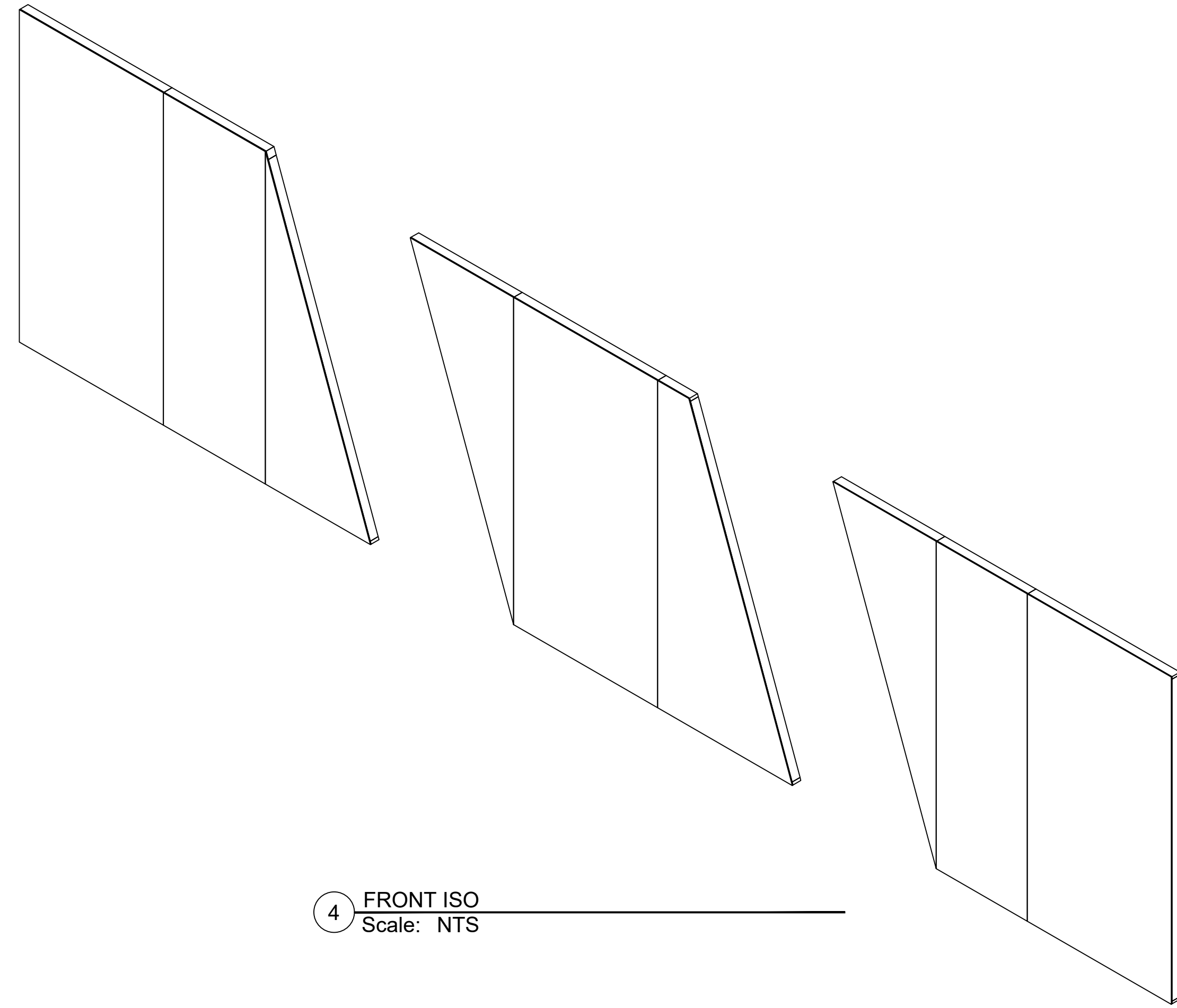


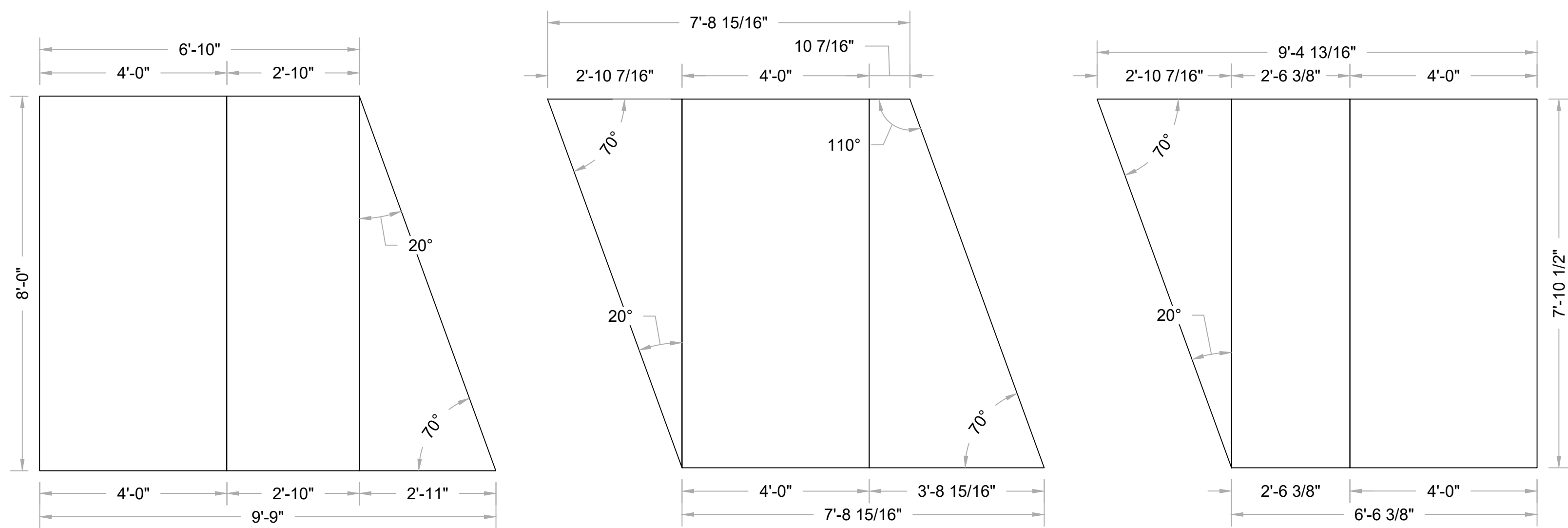
- NOTES**
- "Ribbon" strips not shown for clarity (for more info, see page 6)
  - Walls are standard flats wrapped in banner material
  - Walls ship separately and attach together on site with 3/8"-16 bolts
  - Bolt holes should be pre-drilled in shop before shipping



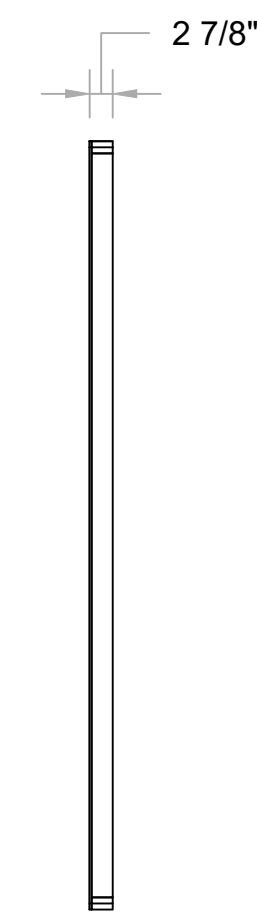
1 TOP  
Scale: 1/2" = 1'-0"



4 FRONT ISO  
Scale: NTS



2 FRONT  
Scale: 1/2" = 1'-0"



3 RIGHT  
Scale: 1/2" = 1'-0"