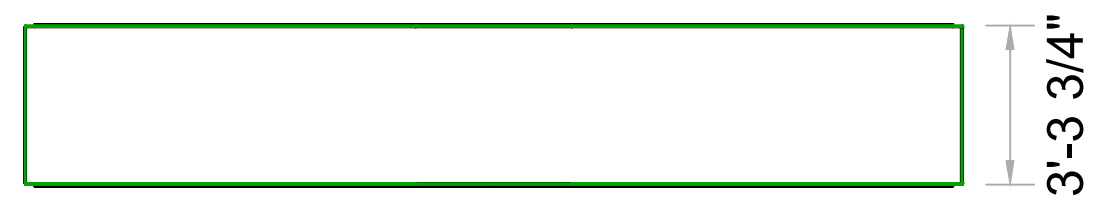


No Suffix	Normal panel - 1/8" Sintra	-Overlay panels at 8' or higher must be attached mechanically
Suffix 'b'	Banner	
Suffix 'c'	Curved Panel - 1/8" Sintra or Coroplast	-Use Velcro-Acrylic #72 for overlay panels w/o panel hangers
Suffix 'd'	Cabinet Door - 1/4" Sintra	-Apply 24 hrs before final install for bond to reach full strength
Suffix 'o'	Overlay - 1/2" unless noted in description	
Suffix 'r'	Routed	
Suffix 's'	Special - see drawing	

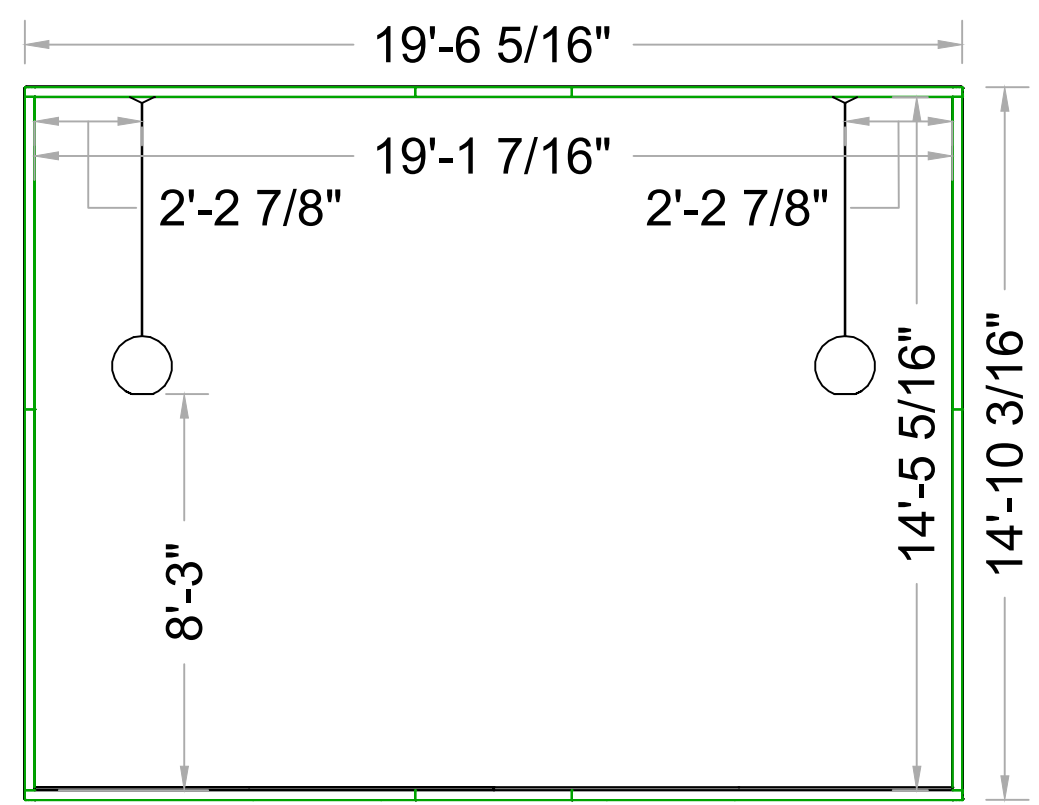
All SEG measurements are to the OUTSIDE edges of the slots				
Qty	PANEL ITEMS	Description	Width	Height
1	A	SEG-229.31X38.91	229 5/16"	38 15/16"
1	B	SEG-233.774X38.913	233 3/4"	38 15/16"
2	C	SEG-38.913X173.165	38 15/16"	173 3/16"
2	D	SEG-38.913X177.632	38 15/16"	177 5/8"

OTHER ITEM TYPES				
Qty	Part Number	Description	Width	Height
20	BMX BRACKET	beMatrix Panel Support Bracket	N/A	N/A
12	BMX CLAMP	beMatrix Clamp	N/A	N/A
4	BMX COVER 39	beMatrix Hole Cover 39	N/A	39"
4	BMX COVER 95	beMatrix Hole Cover 95	N/A	95"
4	BMX COVER 78.11	beMatrix Hole Cover 78.11	N/A	78.11
8	BMX COVER 97.64	beMatrix Hole Cover 97.64	N/A	97.64
56	BMX COVER CLIP	beMatrix Hole Cover Clip	N/A	N/A
2	BMX FRAME 39X39	beMatrix Frame 39x39	39"	39"
2	BMX FRAME 39X78	beMatrix Frame 39x78	39"	78"
6	BMX FRAME 39X95	beMatrix Frame 39x95	39"	95"
16	BMX POST CLAMP	beMatrix Post Clamp	N/A	N/A
4	BMX POST SEG 39	beMatrix Corner Post 39 SEG Slots	N/A	39"
4	BMX POST SQ 32	beMatrix Corner Post Square 32	N/A	32"
2	PLY .75 - 33.5X8	3/4 ply 33.5x8 for beMatrix 39 brackets	33.5"	8"
2	MDF .25 - 24X8	1/4 MDF 24x8 shim between ply and SEG	24"	8"
2	PLY .75 - 33.5X64.5	3/4 ply 33.5x64.5 for BMX 39 brackets	33.5"	64.5"
2	MDF .25-24X64.5	1/4 MDF 24x64.5 for BMX 39 brackets	24"	64.5"

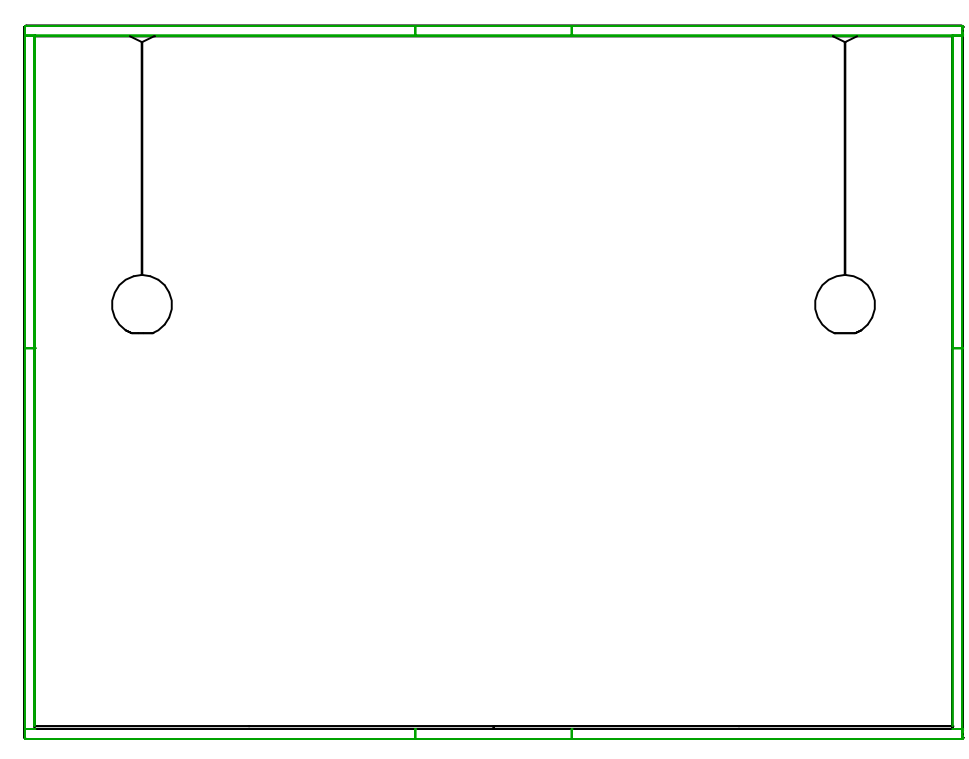
McCormick Place  
Chicago, IL  
Aug. 19 - 20, 2018



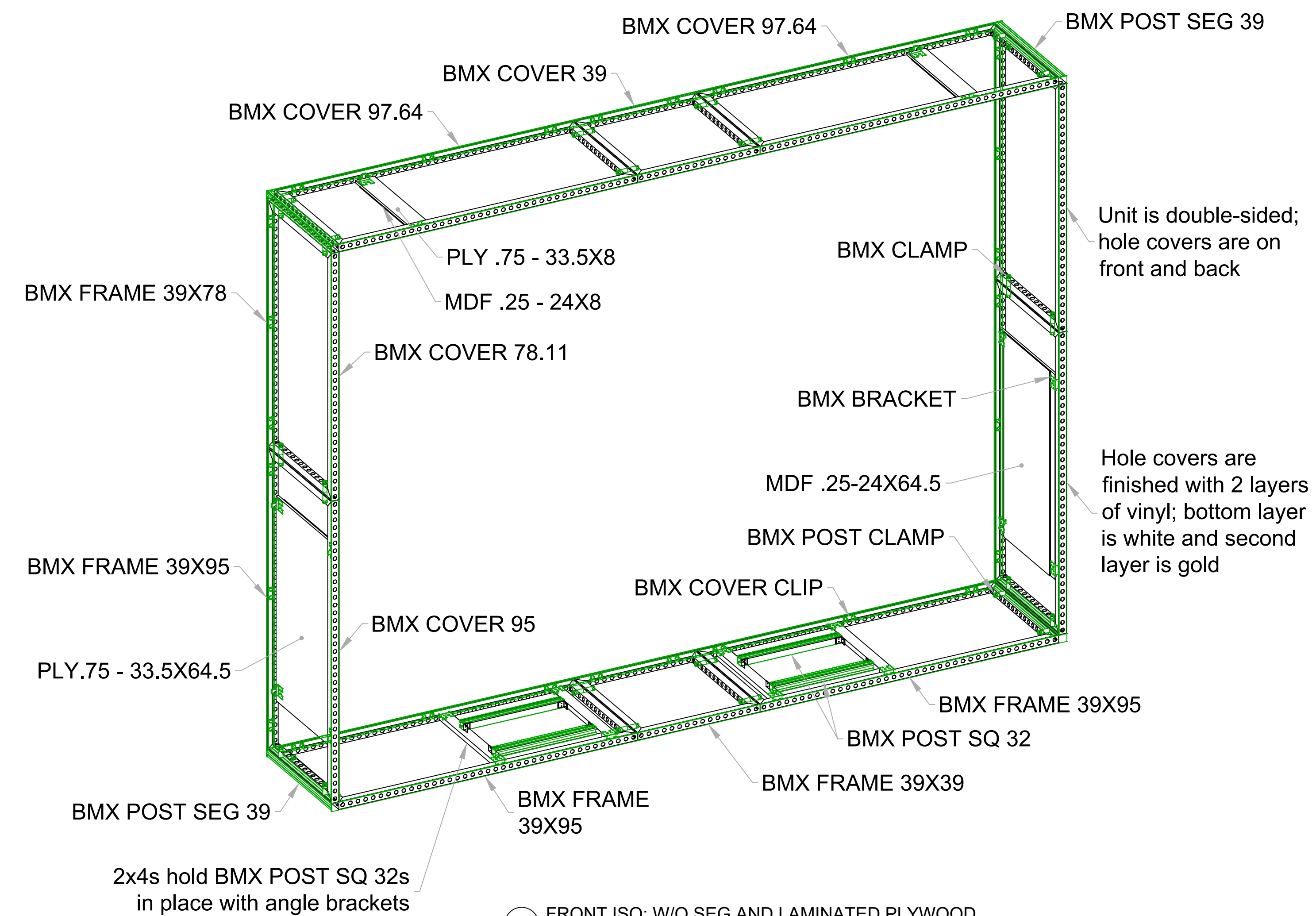
4 TOP  
Scale: 1/4" = 1'-0"



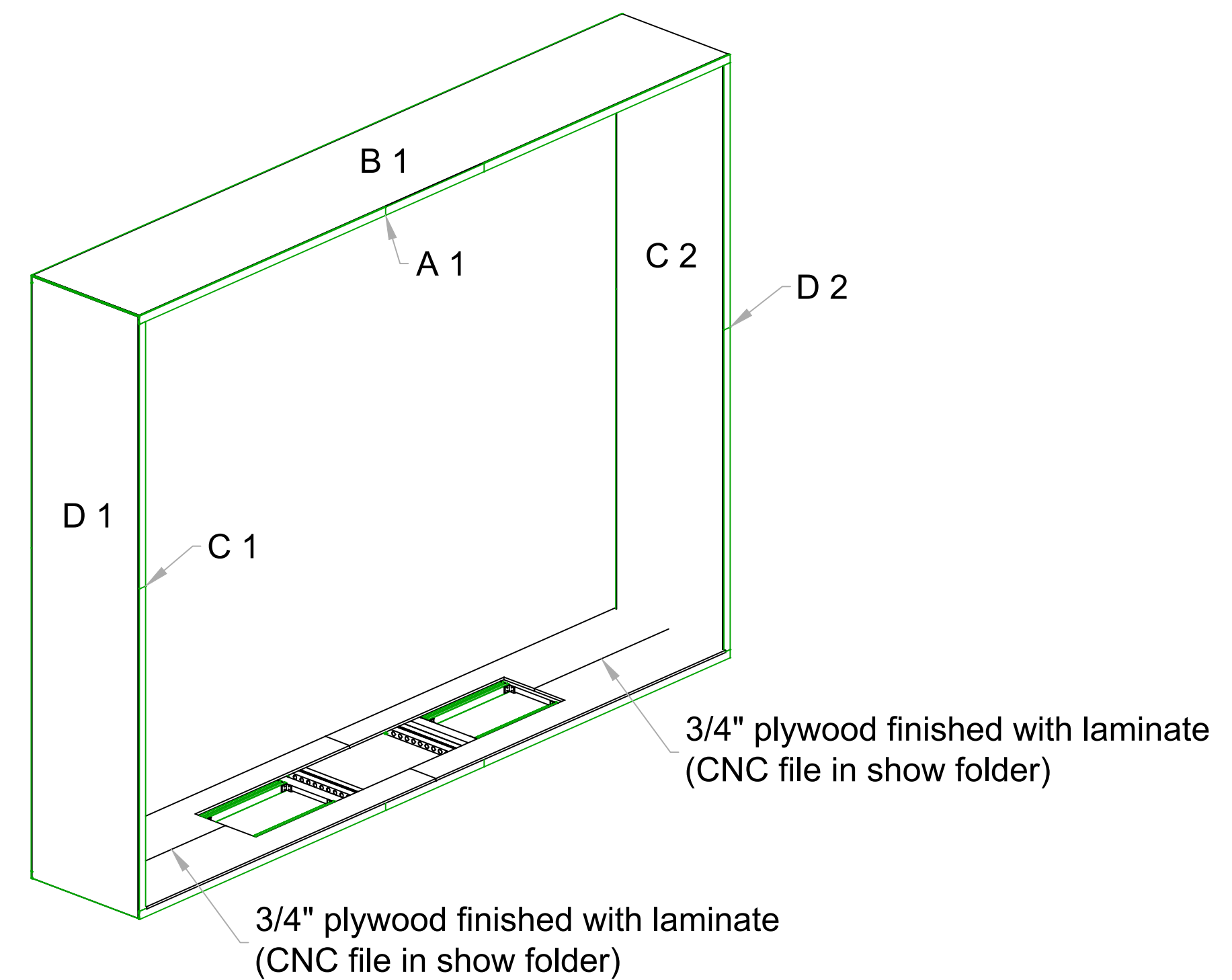
5 FRONT  
Scale: 1/4" = 1'-0"



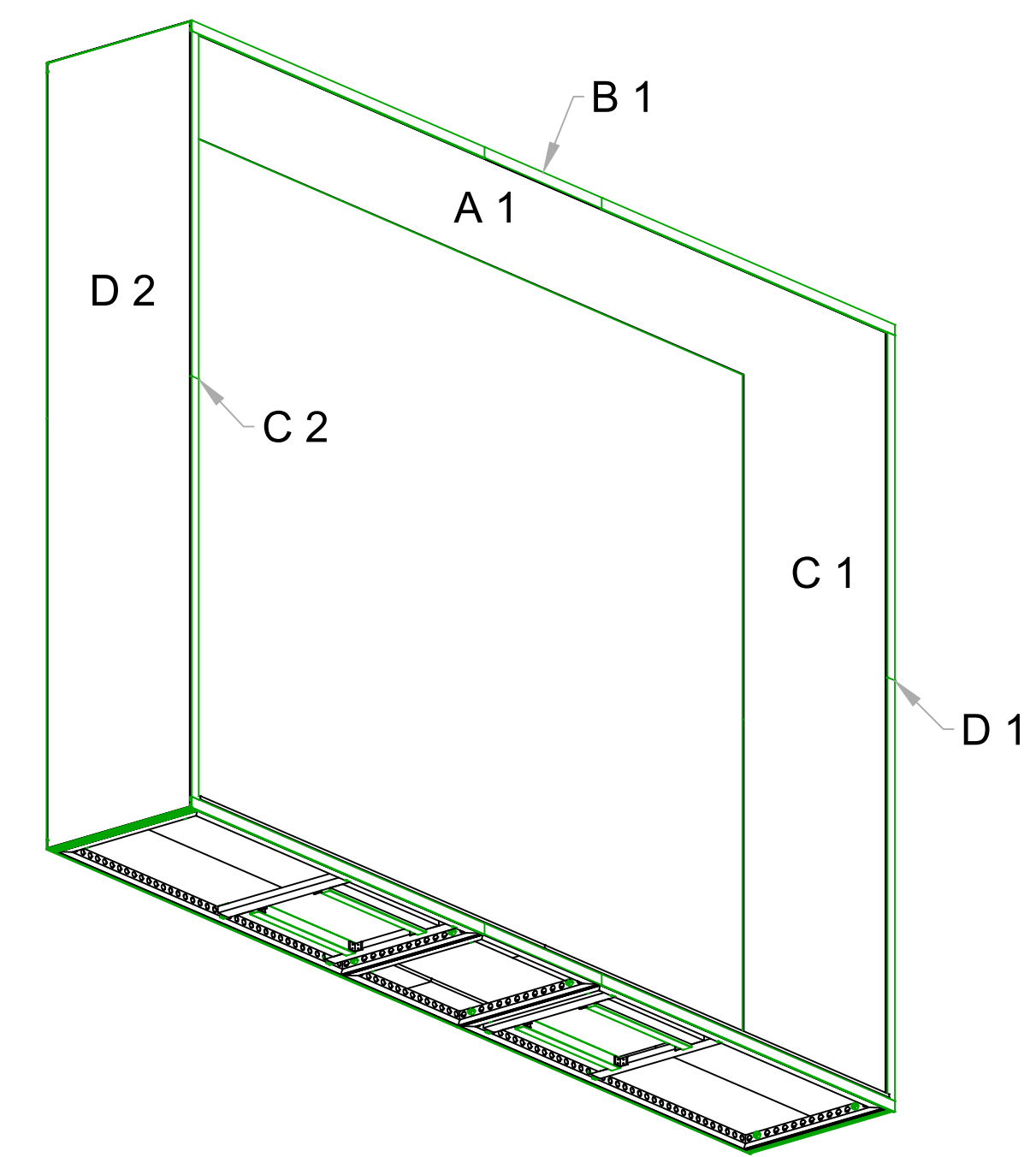
6 BACK  
Scale: 1/4" = 1'-0"



1 FRONT ISO: W/O SEG AND LAMINATED PLYWOOD  
Scale: NTS



2 LEFT, FRONT, TOP ISO  
Scale: NTS



3 RIGHT, REAR, BOTTOM ISO  
Scale: NTS

Booth #1323  
beMatrix Outer Border