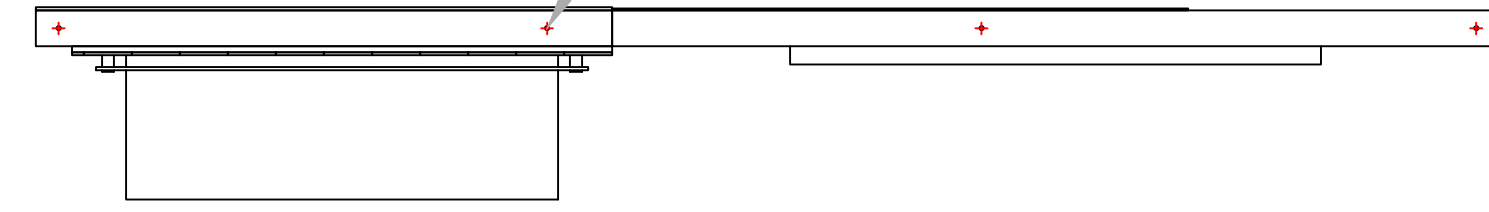


BACK WALL

Zinc Yellow-Chromate Plated Hex Head Screw
Grade 8 Steel, 5/16"-18 Thread, 5.5" Long, Partially Threaded

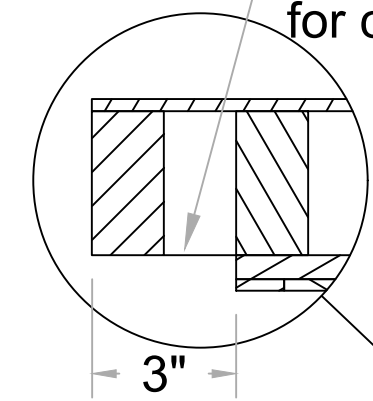


Back Wall connects to ceiling with 5/16"-18 x 5-1/2" long bolts with lock washers and nuts (4 total)

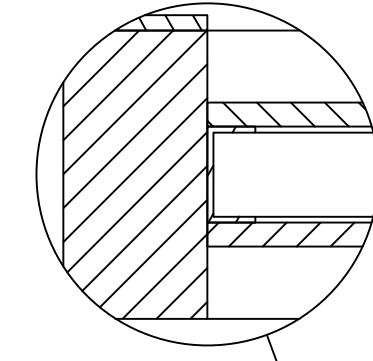


1 TOP
Scale: 3/4" = 1'-0"

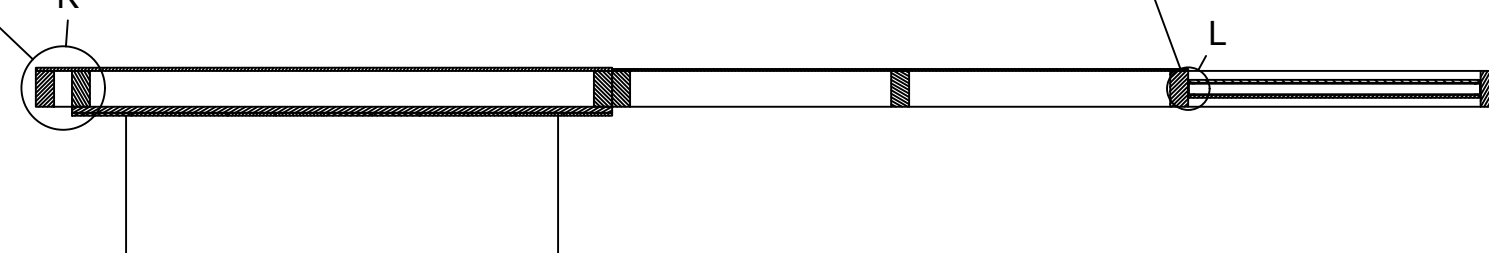
Panel E1 is held back 3" from the edge of the frame to allow for connection to Left Wall frame



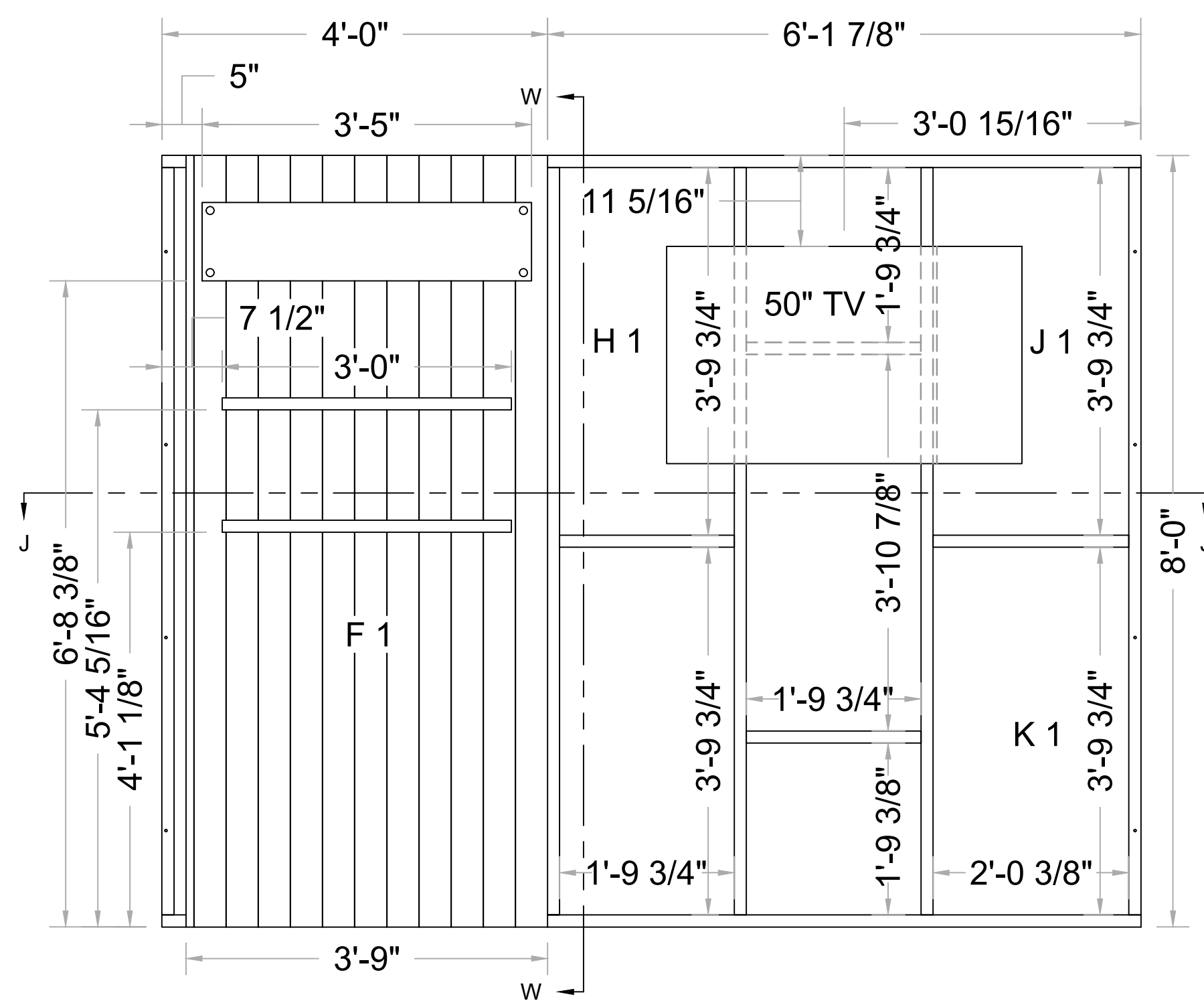
DETAIL K
SCALE 3" = 1'-0"



DETAIL L
SCALE 6" = 1'-0"



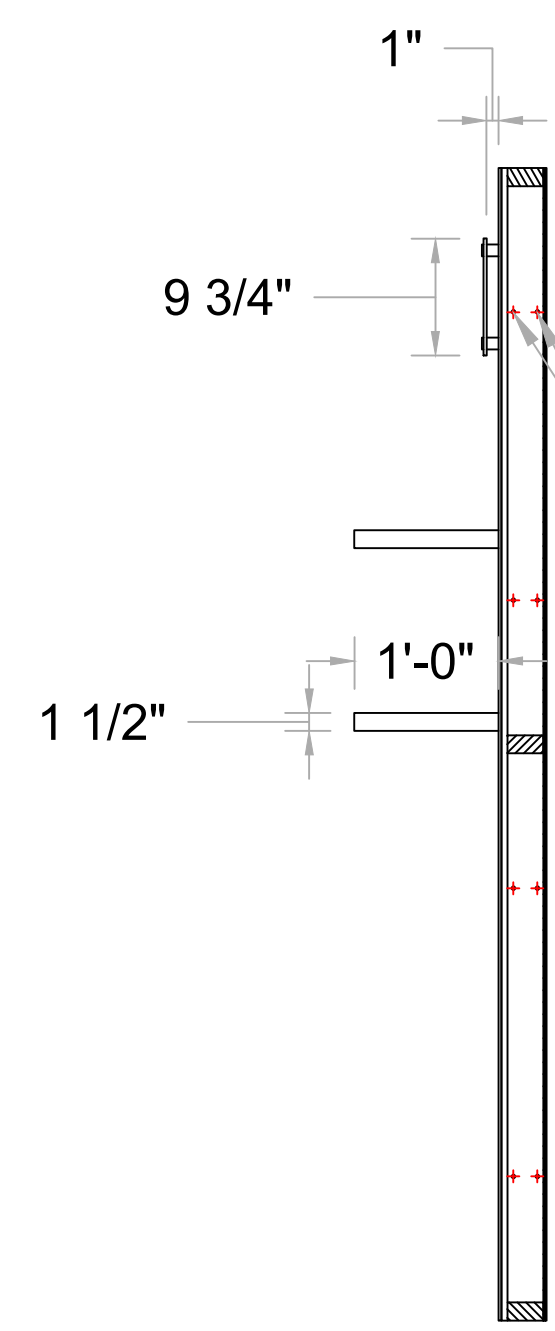
2 SECTION J-J
SCALE 3/4" = 1'-0"



3 FRONT
Scale: 3/4" = 1'-0"

- Notes:
- Frame
 - Framing is 1-1/2"x3"x1/8" aluminum tube; powder coated
 - Frame breaks down into two pieces
 - Pieces attach together with sex-bolts
 - Wall attaches to Left Wall and Right Wall with sex-bolts
 - Skin
 - F1 is 1/2" MDO with strips of faux flooring; attaches to front of wall
 - G1 is 1/4" Di-bond with printed graphic; attaches to back of wall
 - H1 is natural coroplast; attaches to back of wall with clear VHB tape
 - J1 and J2 are 1/4" Extrira™ laminated on both sides with Laminart #9215-E Carbon Black Laminate / Vellum Finish; attach to channel in center of wall (see detail "L" below)
 - K1 and K2 are 1/4" Extrira™ with galvanized 20GA sheet metal on both sides; attach to channel in center of wall (see detail "L" below)
 - ALL SKIN MUST BE REMOVABLE

Qty	Part Number	Description	Width	Height
1	F	1/2" MDO with strips of faux flooring	45"	96"
1	G	1/4" Di-bond with printed graphics	48"	96"
1	H	4mm Coroplast - natural	48"	96"
2	J	1/4" Extrira™ - laminated both sides with LAMINART #9215-E CARBON BLACK LAMINATE / VELLUM FINISH	24.3794"	45.75"
2	K	1/4" Extrira™ with galvanized 20GA sheet metal	24.3794"	45.75"



Back Wall part 1 and part 2 attach to each other with 1/4"-20 connector bolts and nuts (8 total)

Hafele 264.76.770 1/4"-20 connector bolts / nickel plated

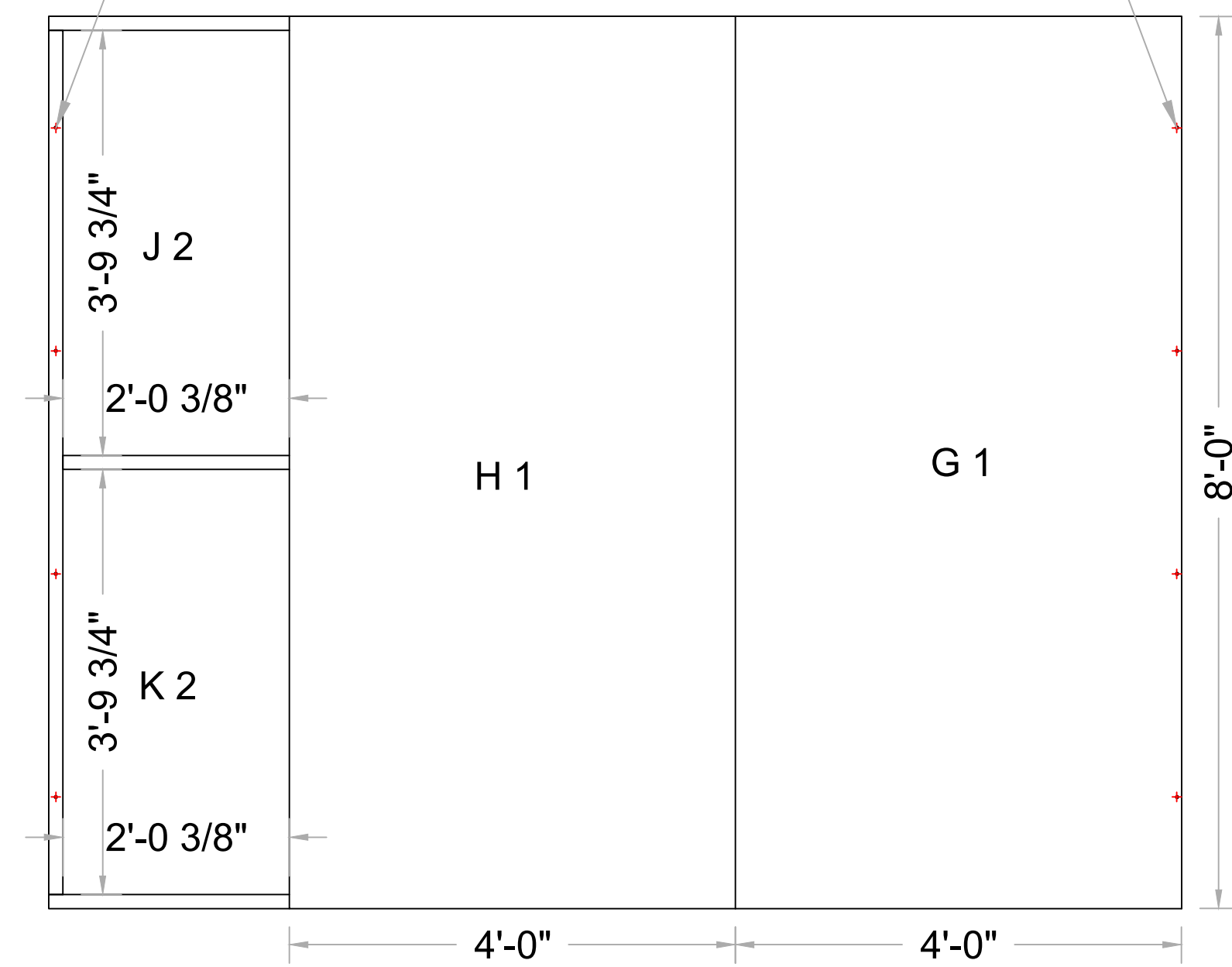
Hafele 267.10.616 1/4"-20 connector nuts / nickel plated

4 SECTION W-W
SCALE 3/4" = 1'-0"

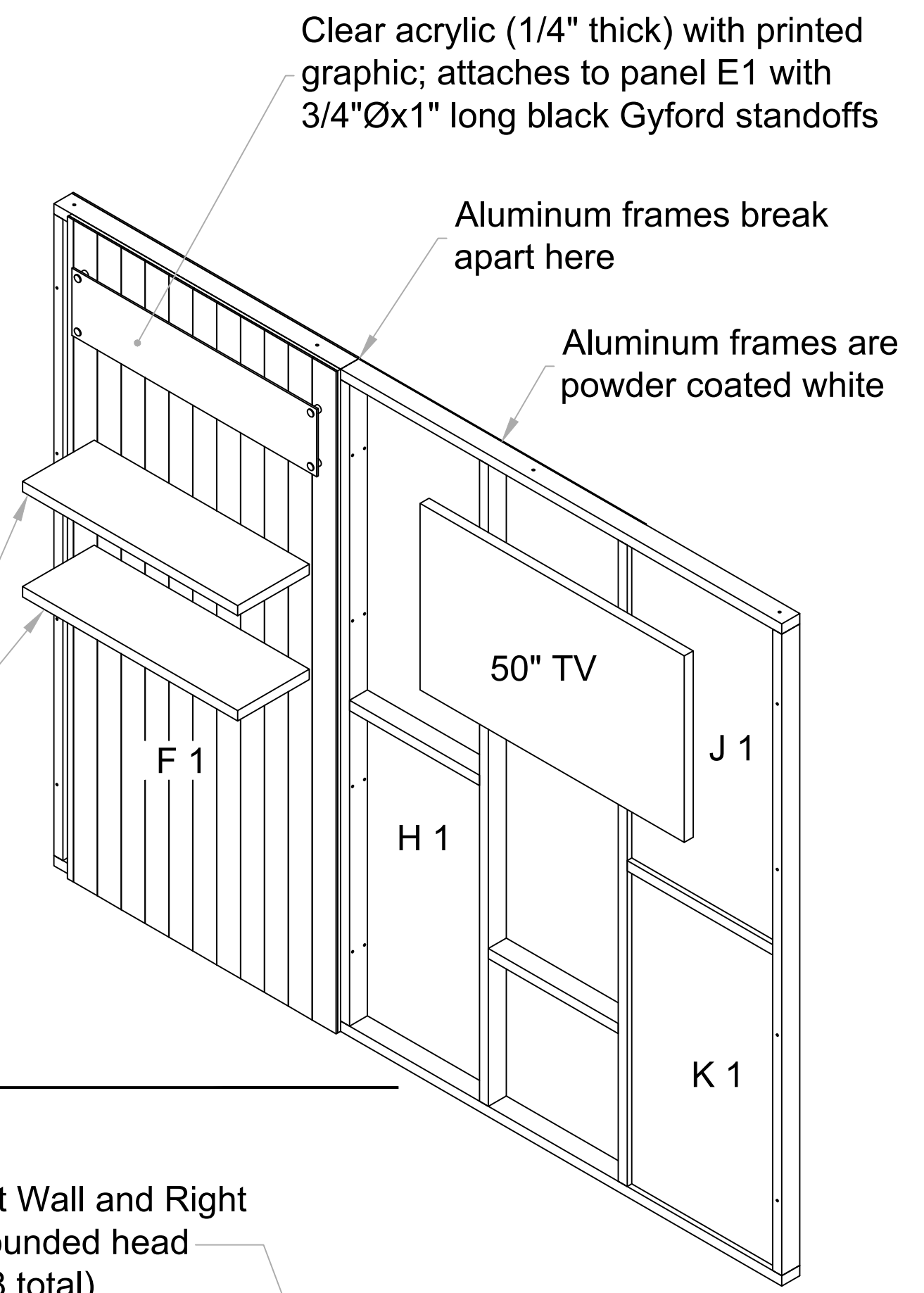
6 FRONT ISO
Scale: NTS

Back wall attaches to Left Wall and Right Wall with 5/16"-18 x 5" rounded head screws with acorn nuts (8 total)

18-8 Stainless Steel Button Head Hex Drive Screw
5/16"-18 Thread, 5" Long



5 BACK
Scale: 3/4" = 1'-0"



Clear acrylic (1/4" thick) with printed graphic; attaches to panel E1 with 3/4"Øx1" long black Gyford standoffs

Aluminum frames break apart here

Aluminum frames are powder coated white

Shelves are finished with standard white laminate; floating shelf hardware (2x) per shelf SKU# HA.283.33.941