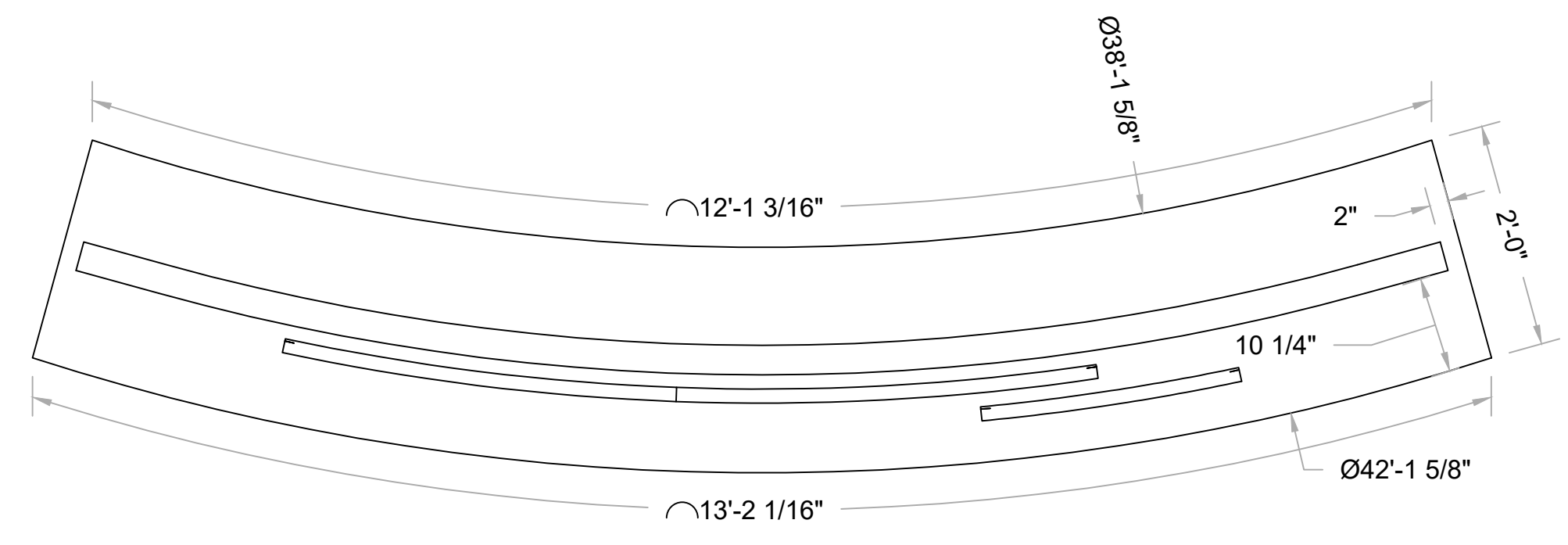
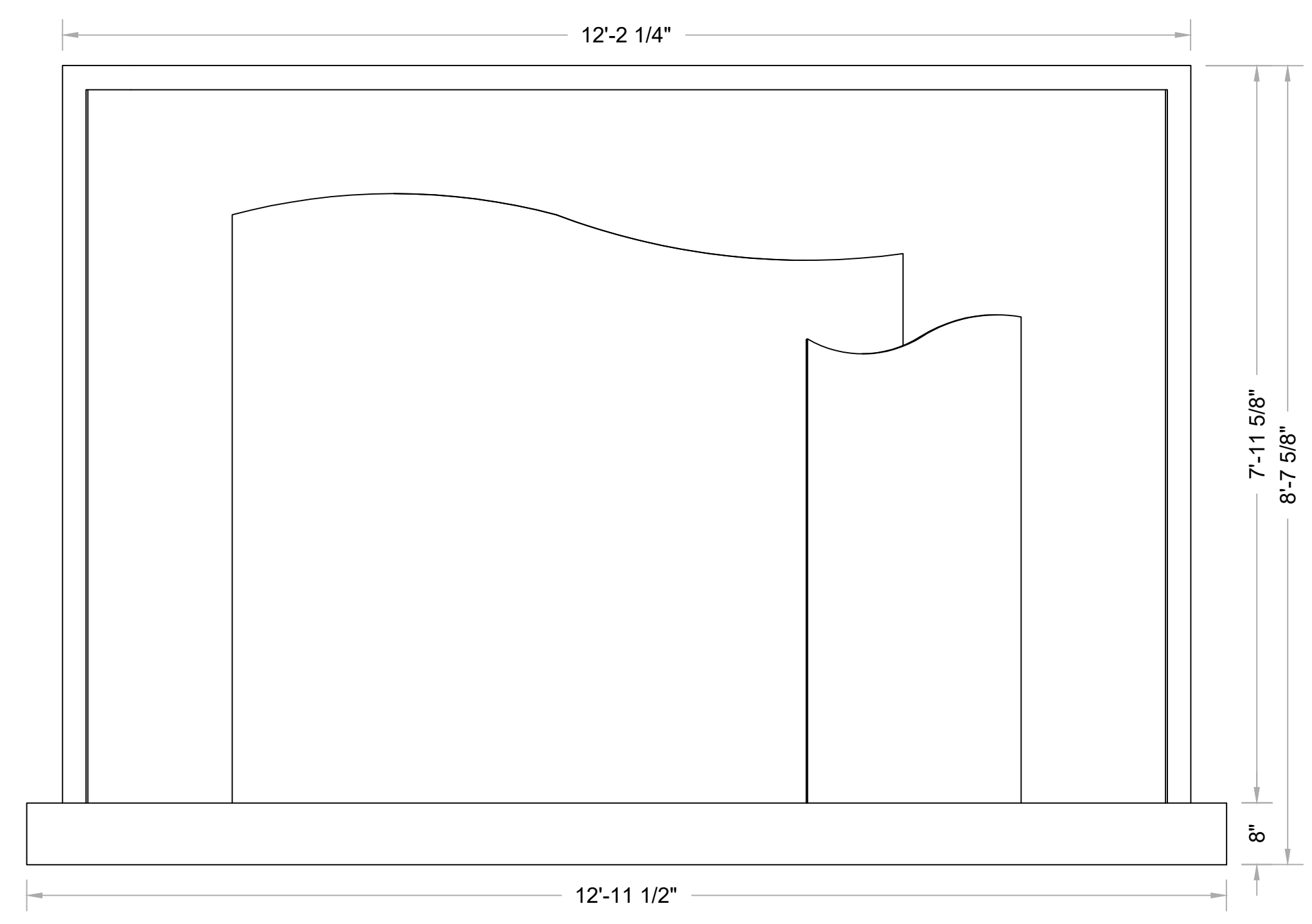


**BUILD 6**  
Quantities shown here are for one unit



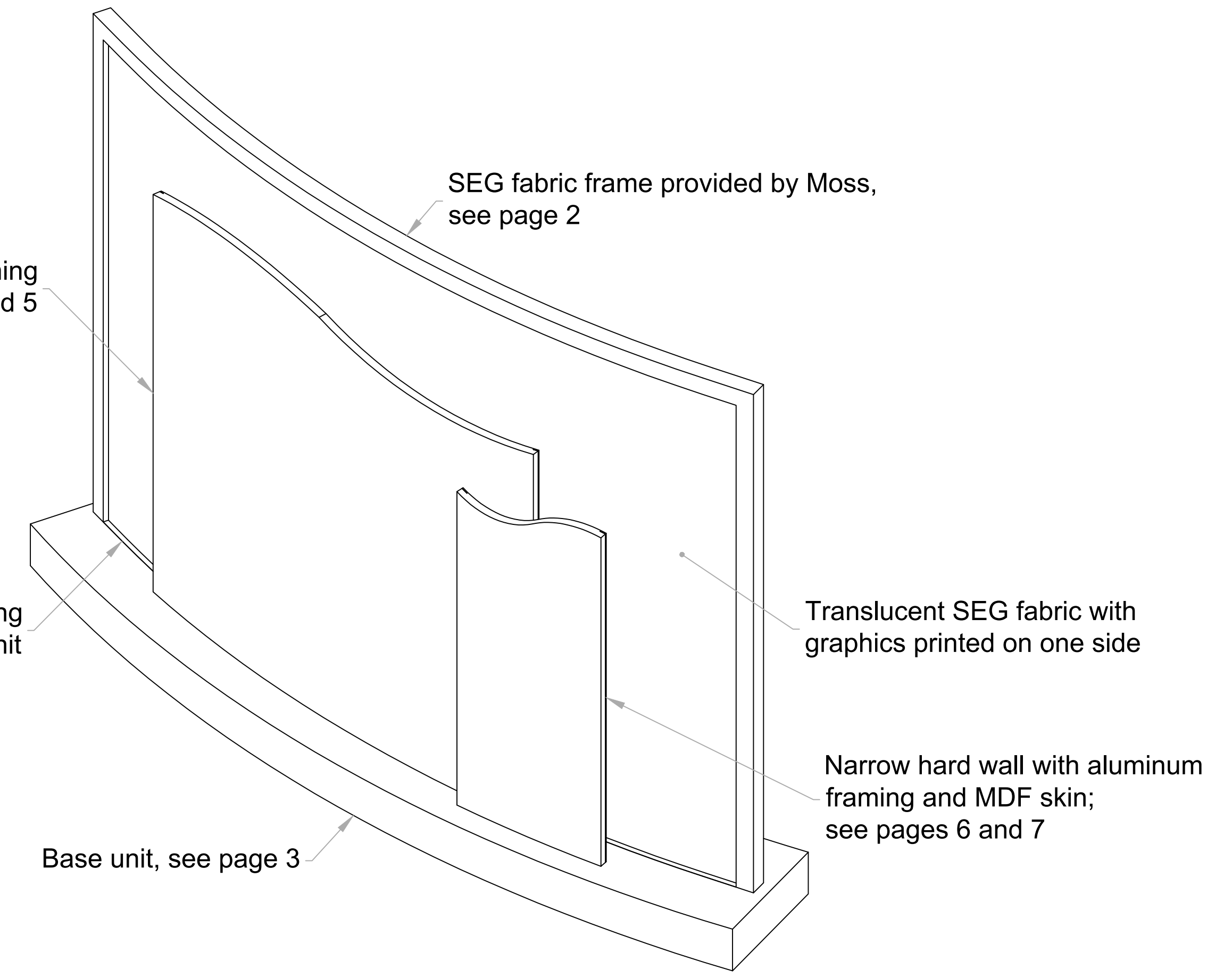
1 TOP  
Scale: 3/4" = 1'-0"



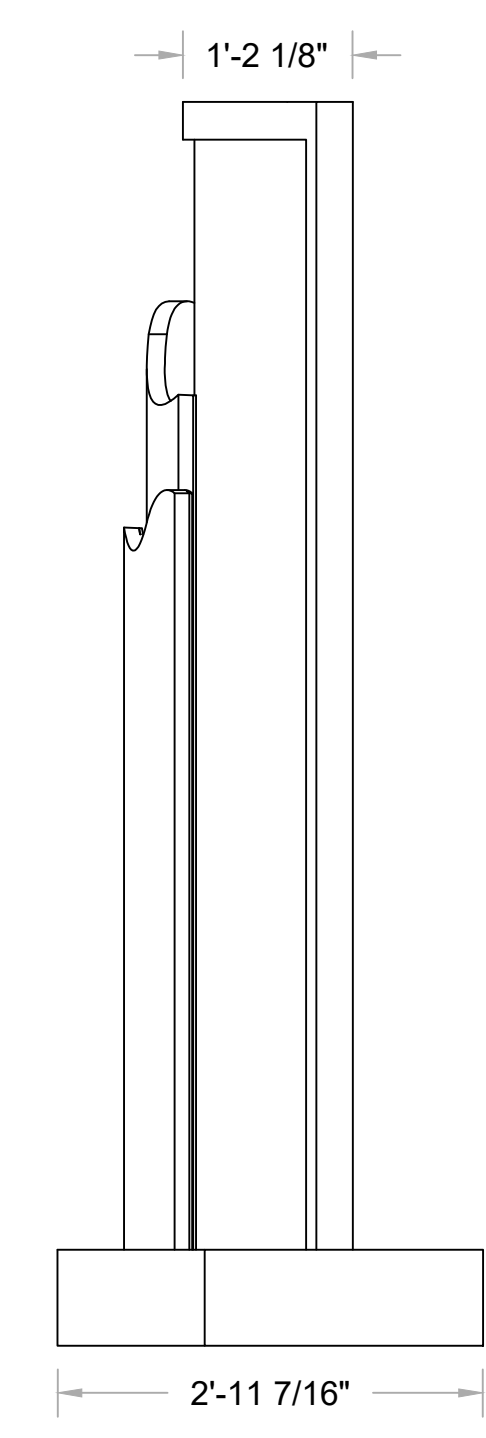
2 FRONT  
Scale: 3/4" = 1'-0"

Wide hard wall with aluminum framing and MDF skin; see pages 4 and 5

Top edge of extruded framing sits flush with top of base unit



4 FRONT ISO  
Scale: NTS



3 RIGHT  
Scale: 3/4" = 1'-0"